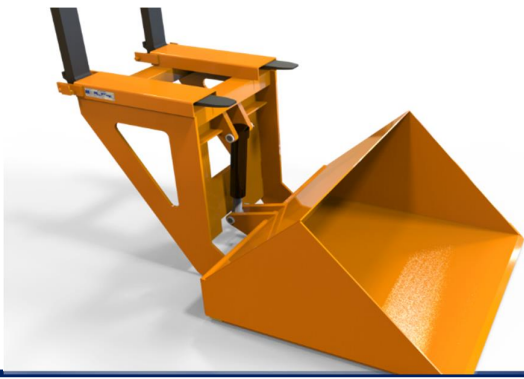


Hydraulic Fork Mounted Scoop (FMS-H)

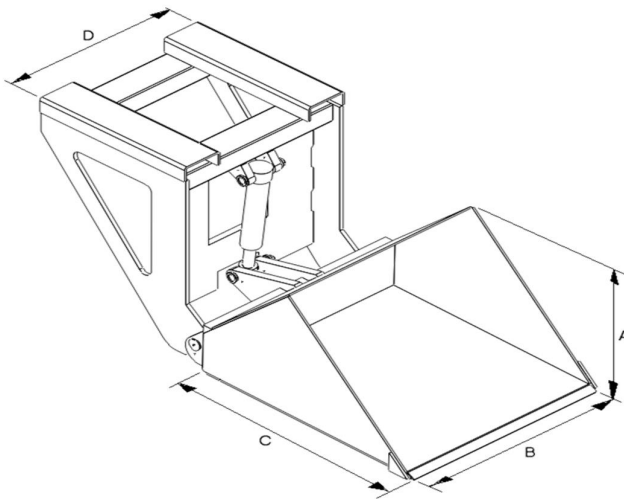


To fit the attachment to the truck, slide the forks into the fork pockets until they are fully engaged. Pin the scoop behind the heel to retain the attachment on the forks.

To fill the bucket and pick up a load of material, the material should be approached with the bucket at ground level. The truck is driven carefully forward, with the mast as near upright as possible until the bucket fills. The forks can then be raised and the material transported as required.

The ideal scoop dedicated handling of sands and aggregates, hydraulic operation allows truck driver to remain seated at all times.

Fork mounted, hydraulically operated, calibrate by trading standards department. Requires auxiliary hydraulic valve on truck to operate.



Model	Volume	Capacity	Height (A)	Width (B)	Length (C)	Pocket Length (D)
FMS 20H	0.20m ³	300kg	505mm	800mm	930mm	645mm
FMS 40H	0.40m ³	600kg	608mm	1000mm	1170mm	645mm
FMS 50H	0.50m ³	750kg	608mm	1250mm	1170mm	645mm

Model	Weight	C of G (Min)	C of G (Max)	Load Centre
FMS 20H	0.20m ³	300kg	505mm	800mm
FMS 40H	0.40m ³	600kg	608mm	1000mm
FMS 50H	0.50m ³	750kg	608mm	1250mm