

CS0003 - SAFETY RESTRAINT NET



The CS0003 Safety Restraint Net has been designed specifically for use with crane forks and block grabs. The net is designed to restrain the load on the equipment and must be gathered as tight as possible around the lifted load to maximize effectiveness. The net is not designed to catch a falling load.

Product Code	Height (mm) HANGING	Width (mm)	Length (mm)	Weight (kg)
CS0003	1600	1500	1500	5

INSTRUCTIONS FOR 1055&T



The following instructions must be read and understood by each intended user of this equipment; if there is anything you do not understand contact Eichinger Equipment Ltd.

Ensure the equipment is adequate for the job you need to carry out.

You must not operate this equipment if you are under the influence of alcohol, drugs or if you are feeling unwell.

A risk assessment should be carried out prior to moving or using this equipment.

The following PPE (Personal protective equipment) should be worn when using this equipment:

Gloves / Goggles / Hard Hat / Steel Toecap boots / Hi-Vis Vest

We also suggest suitable clothing should be worn.

Familiarise yourself with the equipment, its use and how it works!

As this equipment is used at multi-level, ensure the intended area for use is clear of overhead cables and power lines or similar hazards which may affect its safe use. This equipment must always be used in conjunction with your site safety policies.

The work area must be clear of obstructions with adequate space for the operative to work safely around the equipment.

Check and ensure the equipment is inspected and in a safe condition prior to its use. Also ensure that its load is stable and secure.

SETUP

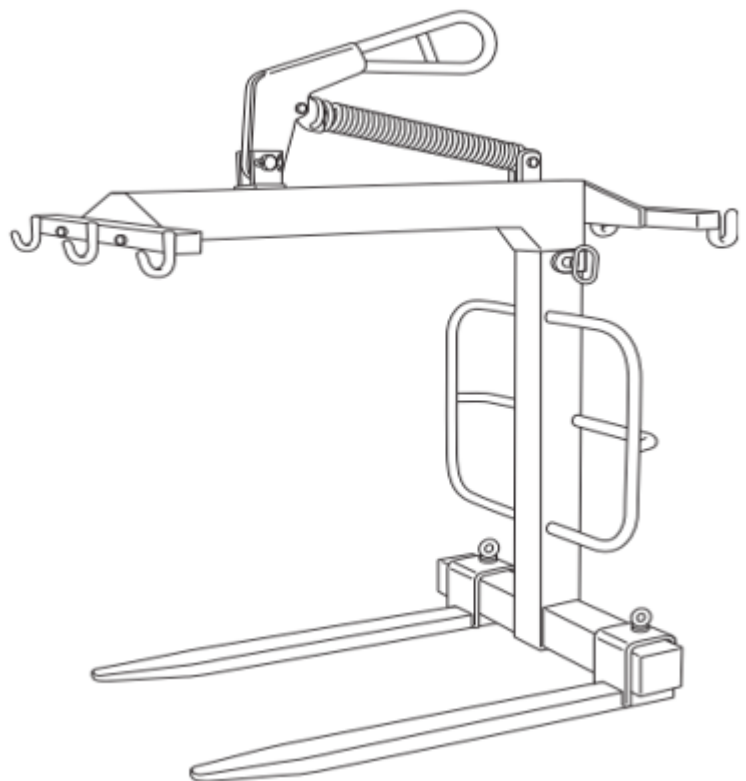
This model can be adjusted to accommodate loads of differing heights and we suggest that the "Head" of the unit should always be adjusted for each load rather than keeping it set at the maximum height.

Attach the lifting hook onto the lifting eye of the self leveling crane forks ensuring the hooks gate is properly closed and secure. Allow the lifting equipment to take the weight of the "head" now remove the "R" clip and main locking pin found on the neck of the unit. Once removed this will allow the "Head" to move up and down to be set at the desired height. Replace the locking pin and "R" clip.

Adjust the width of the forks by undoing the eye bolts and sliding the forks either in or out for the intended load keeping the load central on the 1055 at all times. Once in position tighten the eye bolts to secure the forks and stop them moving during transit.

WARNING!

Do not use this equipment for dragging loads; it should be used for lifting loads clear of the ground only. Always ensure that the forks are set to the correct width for each load lifted.



The following instructions must be read and understood by each intended user of this equipment; if there is anything you do not understand contact Eichinger Equipment Ltd.

Ensure the equipment is adequate for the job you need to carry out.

You must not operate this equipment if you are under the influence of alcohol, drugs or if you are feeling unwell.

A risk assessment should be carried out prior to moving or using this equipment.

The following PPE (Personal protective equipment) should be worn when using this equipment:

Gloves / Goggles / Hard Hat / Steel Toecap boots / Hi-Vis Vest

We also suggest suitable clothing should be worn.

Familiarise yourself with the equipment, its use and how it works!

As this equipment is used at multi-level, ensure the intended area for use is clear of overhead cables and power lines or similar hazards which may affect its safe use. This equipment must always be used in conjunction with your site safety policies.

The work area must be clear of obstructions with adequate space for the operative to work safely around the equipment.

Check and ensure the equipment is inspected and in a safe condition prior to its use. Also ensure that its load is stable and secure.

USING THE EQUIPMENT

The user of this equipment must assess the load to be lifted prior to using the 1055T. Ensuring that the load is secured to the pallet.

Raise the 1055T just clear of the ground and slide the forks into the pallet intended to be lifted. The pallet and its load must be no longer than the length of the forks.

Once the forks are in position raise the load clear of the ground and check that the load is balanced and central. Providing these instructions are followed the 1055T will keep the load level by the self-levelling lifting arm.

Once the load is deemed safe place the safety net under the 1055T and its load and fit it securely to the net hooks ensuring that any excess is gathered up onto next hooks. The net is for restraint purposes only and must be held tight to the load. The net is not designed to catch falling loads and leaving the net loose or hanging from the bottom of the forks would be deemed as miss use.

Once satisfied that the load is safe proceed to transfer the loaded unit to its intended position in a slow and controlled manner avoiding sudden movements.

Once in its intended position to be unloaded lower the 1055T until just off the ground. Remove the safety net and land the load you can now move the crane forks out and away from the pallet.

Once the unit is finished with, lower it to the ground where it will be stored. Release the lifting hook from the Lifting eye and clean the unit down ready for its next use.



THE 1055T SHOULD NEVER BE USED WITHOUT A RESTRAINT NET & THE NET MUST ALWAYS BE PULLED TIGHT AROUND THE LOAD.

THE NET IS NOT DESIGNED TO CATCH A FALLING LOAD.



INSTRUCTIONS FOR 1083



The following instructions must be read and understood by each intended user of this equipment; if there is anything you do not understand contact Eichinger Equipment Ltd.

Ensure the equipment is adequate for the job you need to carry out.

You must not operate this equipment if you are under the influence of alcohol, drugs or if you are feeling unwell.

A risk assessment should be carried out prior to moving or using this equipment.

The following PPE (Personal protective equipment) should be worn when using this equipment:

Gloves / Goggles / Hard Hat / Steel Toecap boots / Hi-Vis Vest

We also suggest suitable clothing should be worn.

Familiarise yourself with the equipment, its use and how it works!

As this equipment is used at multi-level, ensure the intended area for use is clear of overhead cables and power lines or similar hazards which may affect its safe use. This equipment must always be used in conjunction with your site safety policies.

The work area must be clear of obstructions with adequate space for the operative to work safely around the equipment.

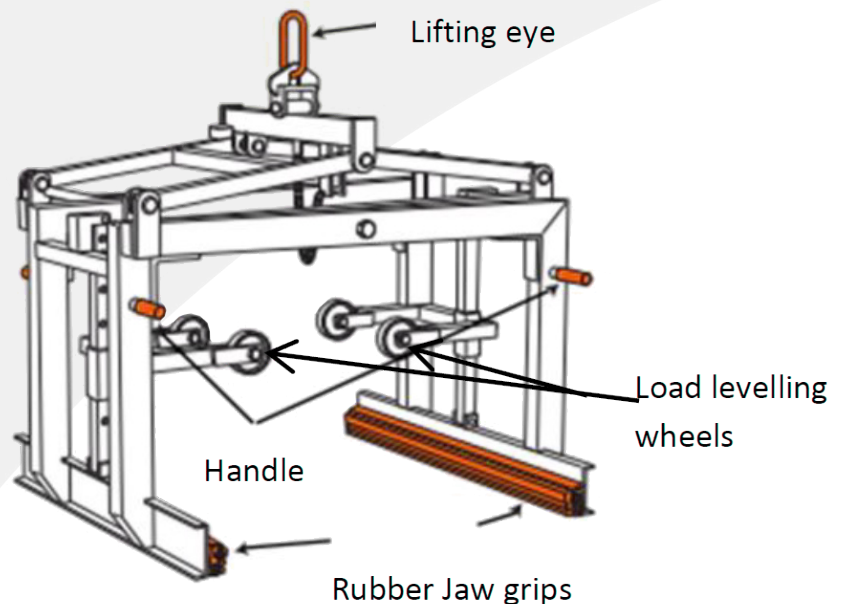
Check and ensure the equipment is inspected and in a safe condition prior to its use. Also ensure that its load is stable and secure.

SETUP

Attach the lifting hook onto the lifting eye of the 1083-80 full pallet block grab ensuring the hooks gate is properly closed and secure.

Position the load levelling wheels so that they are set at the same height from the rubber jaw grips as the height of the intended item to be carried.

Ensure the load levelling wheels are set to the same height each side! The grab is now ready for use.



WARNING!

Do not use this equipment for dragging loads; it should be used for lifting loads clear of the ground only. Always ensure that the forks are set to the correct width for each load lifted.

REMEMBER:

To avoid the risk of injury keep hands and feet clear of the unit at all times during use. Only use safety handles to manoeuvre the unit during use and only when it is safe to do so. At no time should anyone either trained personnel or otherwise be allowed under the raised load or near enough to be at risk in the event that the load moves.



INSTRUCTIONS FOR 1083



USING THE EQUIPMENT

The user of this equipment must assess the load to be lifted prior to using the 1083-80 full pallet block grab. Ensuring that the load is securely banded or strapped to the pallet.

In its open position raise the grab and lower it over the item you intend to lift. Once in a central position (allowing both rubber jaw grips to travel down the outside of the item) lower the grab over the load until the locking catch mechanism activates.

You can now raise the unit slowly in turn lifting the item off the ground.

With the load just off the ground assess for balance and security of the load.

Once the load is deemed safe place the safety net under the 1083-80 and its load and fit it securely to the net hooks.

Once satisfied that the load is safe proceed to transfer the loaded unit to its intended position in a slow and controlled manner avoiding sudden movements. Once in position to be unloaded lower the 1083-80 until just off the ground.

Remove the safety net and land the load, the catch will release and allow you to lift the 1083-80 clear of the load.

Once the unit is finished with, lower it to the ground where it will be stored. Release the lifting hook from the Lifting eye and clean the unit down ready for its next use



THE 1083 SHOULD NEVER BE USED WITHOUT A RESTRAINT NET & THE NET MUST ALWAYS BE PULLED TIGHT AROUND THE LOAD. THE NET SHOULD NOT BE USED FOR ANY OTHER APPLICATION.

THE NET IS NOT DESIGNED TO CATCH A FALLING LOAD.

