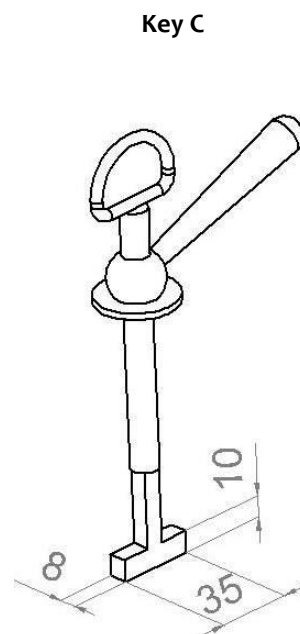
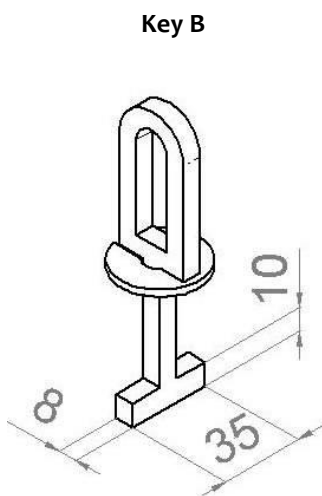
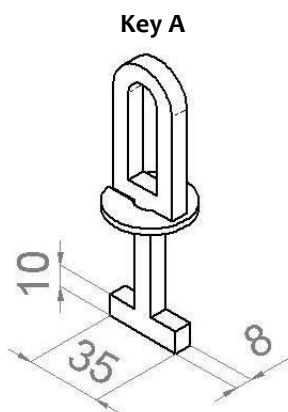
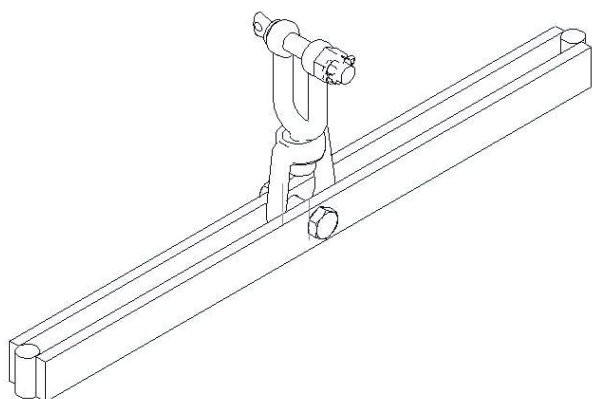


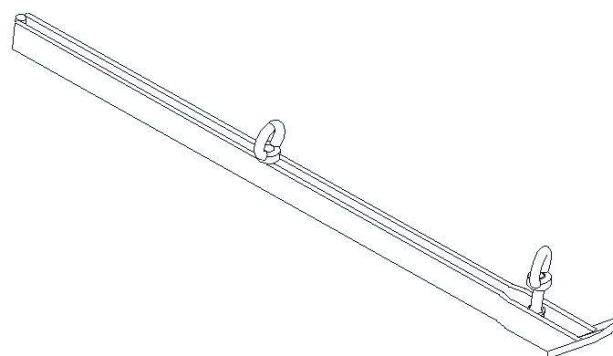
3-4 Accessories



Spreader bar „small“



Spreader bar „large“



Type	Description	Order-No.
Keys and spreader bars	Key A	44800019
	Key B	44800020
	Key C	44800017
	Spreader bar „small“	44800008
	Spreader bar „large“	44800018
Set of keys and spreader bars UK	2 keys A, 2 keys B, 4 keys C, 1 Spreader bar „small“, 2 Spreader bars „large“	54800004
Tool and Equipment Box WZK	Size 1.200 x 550 x 630 mm to stow the complete device(SDH-H) including all accessories.	42200107



There are always two keys necessary for lifting.

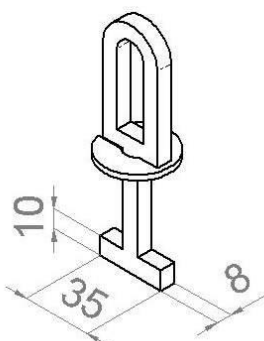
4 Operation

4.1 Attaching Variants

Depending upon form, kind and execution of the covers, the suitable hooks (A or B), and/or spreader bars (variant I or II) must be selected.

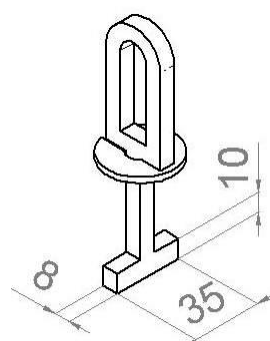
HOOK A

Hook A (2x44800019)



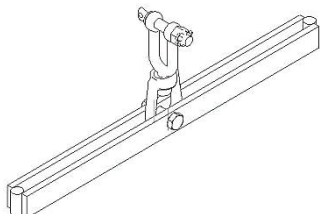
HOOK B

Hook B (2x44800020)



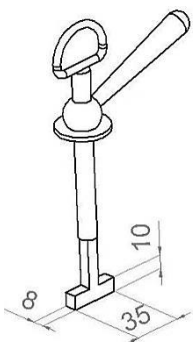
VARIANT I

Spreader bar „small“ (44800008)

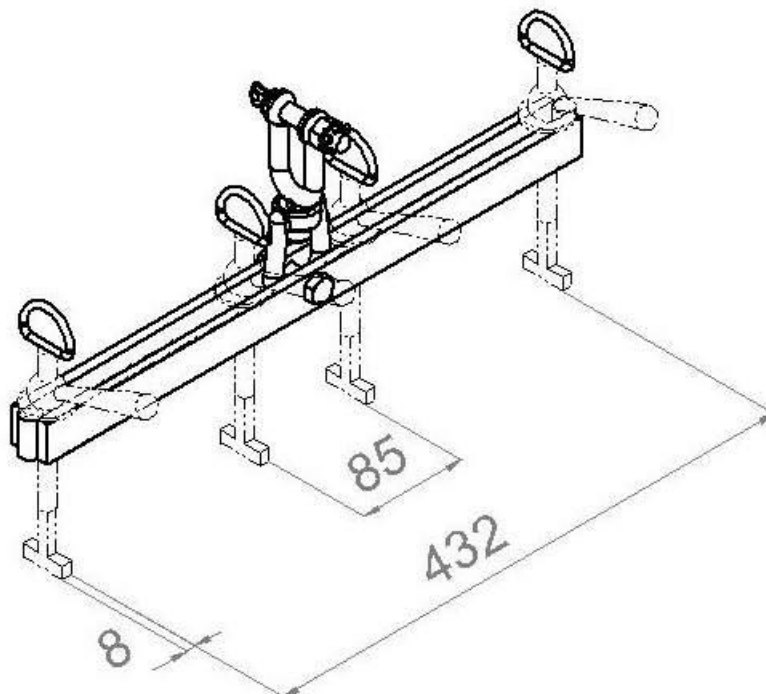


+ →

Hook C (4x44800017)

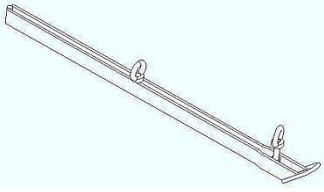


Spreader bar „small“ (44800008) + Hook C (44800017)



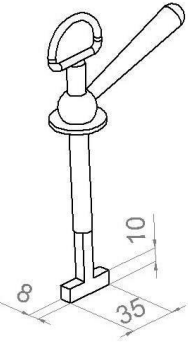
VARIANT II

Spreader bar „large“ (2x44800018)

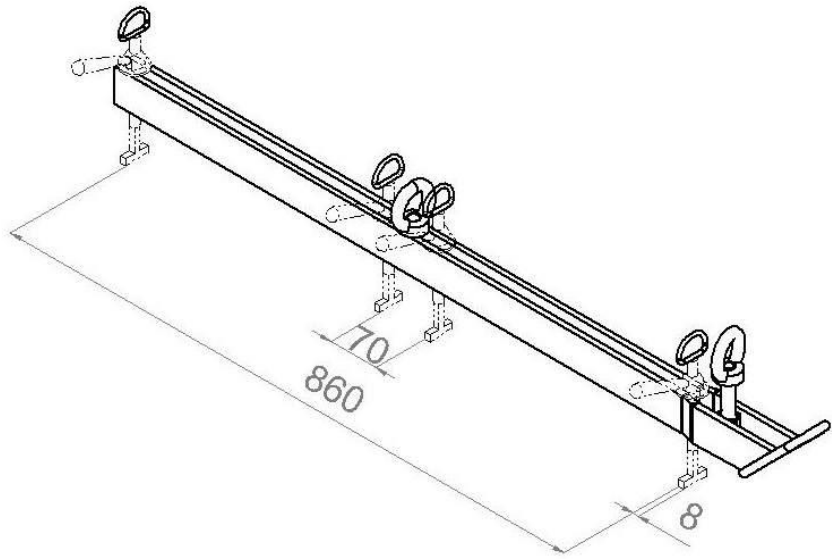


+ →

Hook C (4x44800017)

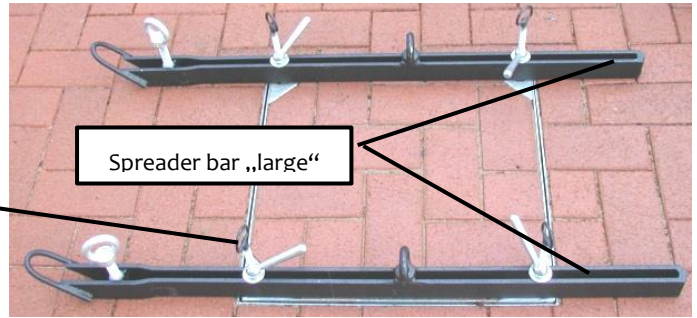
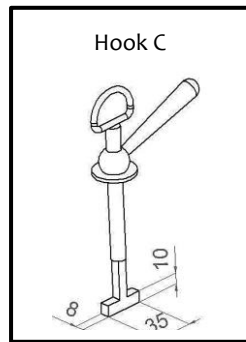


Spreader bar „large“ (44800017) + Hook C (44800017)

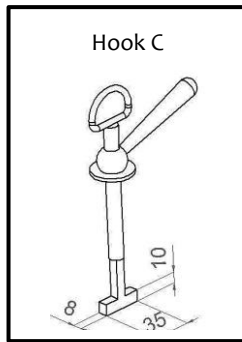


4.2 Device Operating

- Prepare spreader bars and/or hooks suitably the cover, which is to be raised.



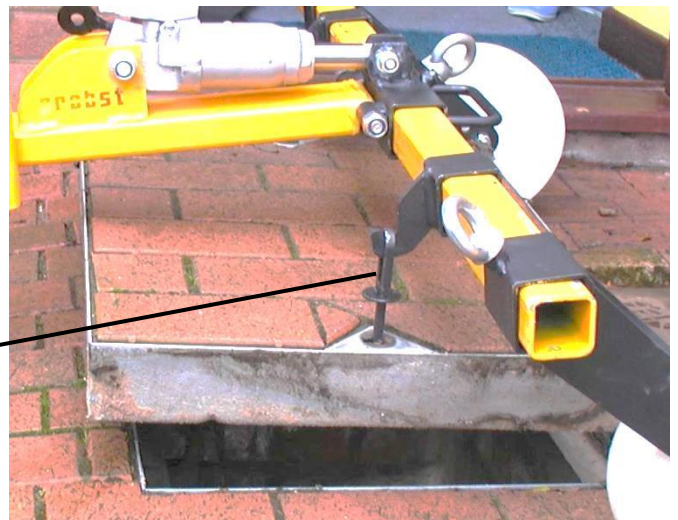
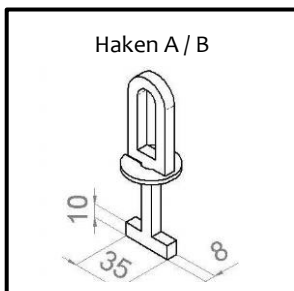
- Drive with the device (SDH-H) over the cover and hang up the hooks (A or B) into the hooks at the device (SDH-H).

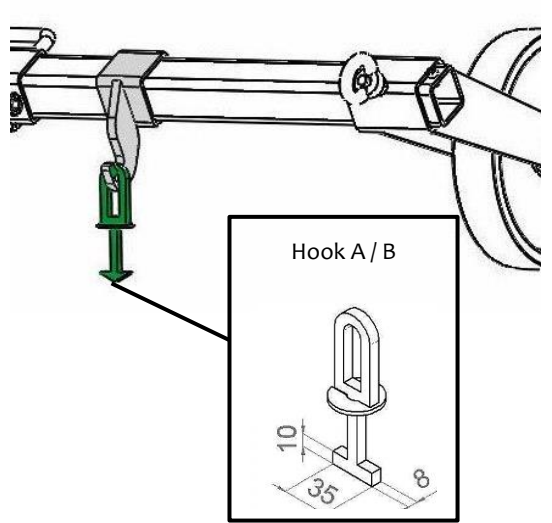
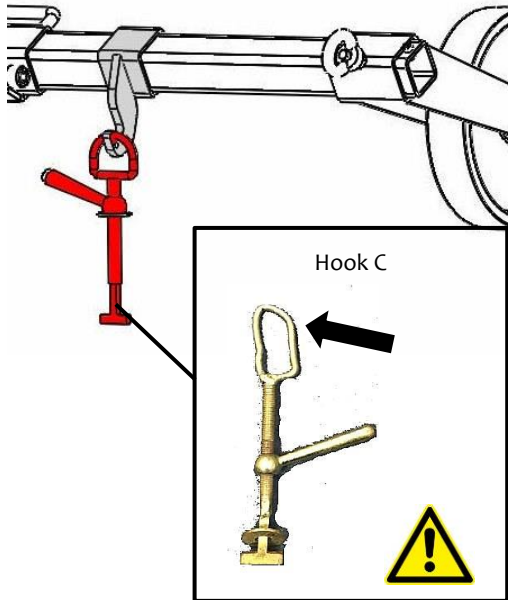
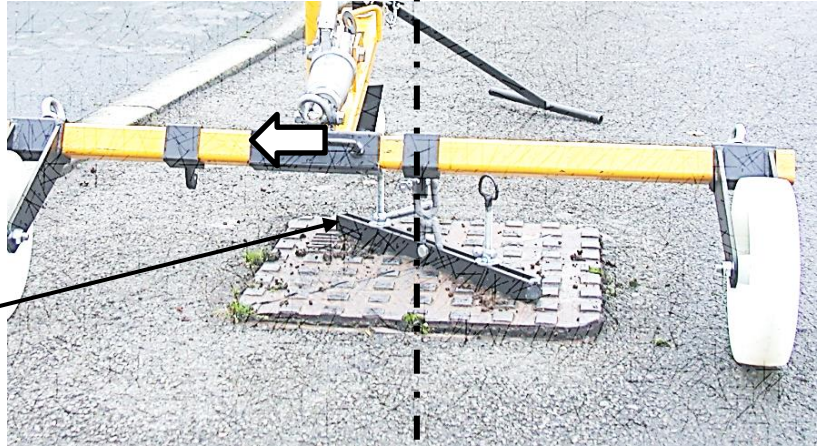
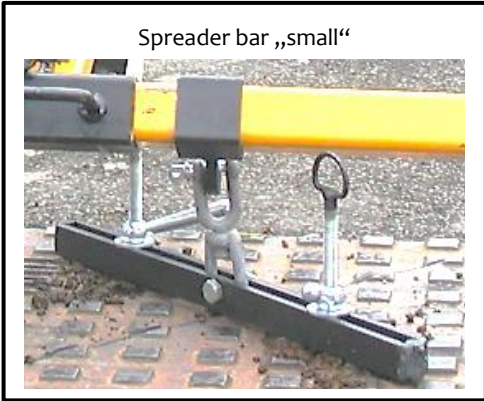


- Use the lifting rod at hydraulic hand pump to pump the device highly



ATTENTION: Bring hands and feet out of the danger area of the device (SDH-H)!





- The device (SDH-H) can now be driven with the lifted cover carefully to the place of destination.
- In order to discharge cover again, rotate by hand the lifting rod at hydraulic hand.



ATTENTION: Bring hands and feet out of the danger area of the device (SDH-H)!