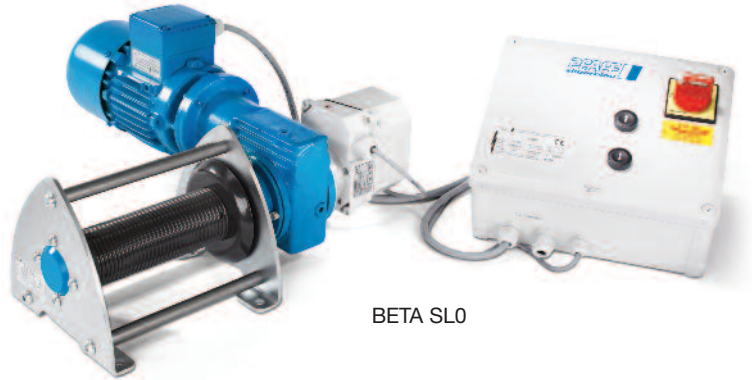


## BETA SL Electric winches Capacities: 250 - 2000kg

Short delivery times are followed by long periods in operation: the electric wire rope winch BETA SL in its standard design works permanently reliably due to enclosed worm gear pairs or spur gears with high-quality brake motors.

The electric wire rope winches BETA SL are available with a contactor control system including a gear limit switch.



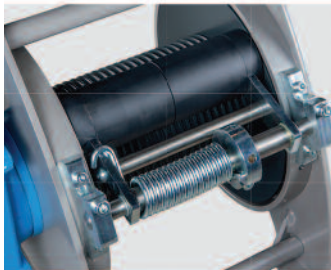
BETA SL0



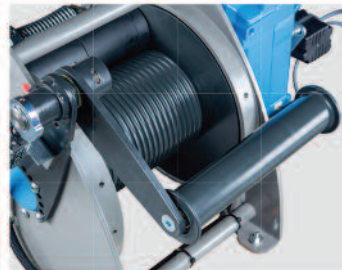
BETA SL1, SL2, and SL3

### Features and benefits include:

- Maintenance-free worm gear pairs or low-maintenance spur gear with milled and ground gears - running in an oil bath
- Very quiet running by diagonal interlock
- Electrically released spring-applied disc brake
- According to the accident prevention provisions BGV D8
- Range of temperature: -20°C – +40°C
- Powerful three-phase motor for multi-range voltage 380 – 420V / 50Hz or 440 – 460 V / 60Hz
- Electronic overload protection on units over 1000kg
- Range of temperature: -20°C – +40°C
- Duty ratio S3 – 40%
- Motor protection type IP55
- Grooved rope drum
- Large wire rope capacity
- Contactor control 42V
- Gear limit switch



Option: pressure roller



Option: slack rope switch



Option: control pendant



Option: frequency converter

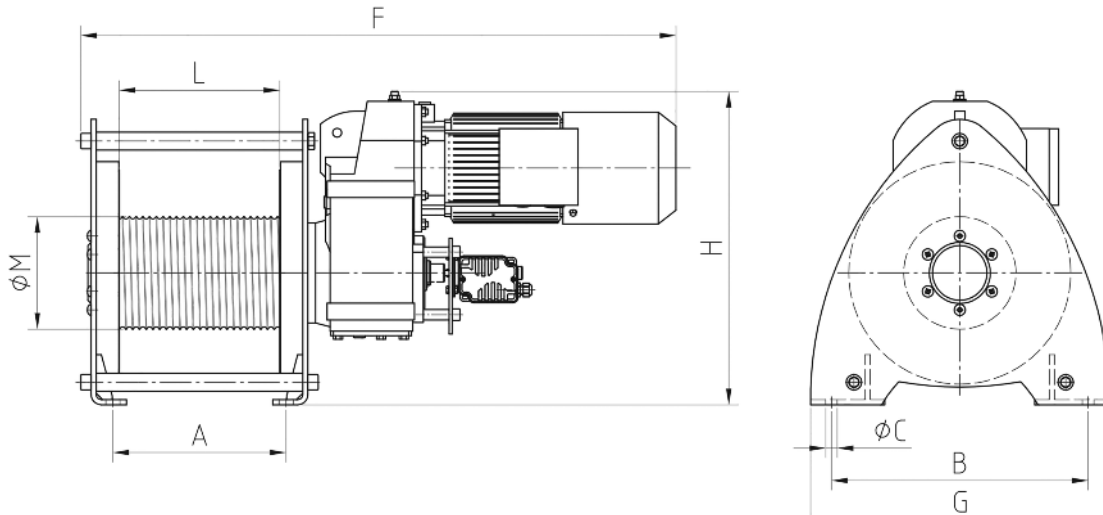
Size	Capacity	Control	Type of operation
SL0	250kg	Control pendant	n/a
SL1	500/630kg	Control pendant or frequency converter	Pressure roller or slack rope switch, alternatively combination of pressure roller and slack-rope switch
SL2	980/1250kg	Control pendant or frequency converter	Pressure roller or slack rope switch, alternatively combination of pressure roller and slack-rope switch
SL3	2000kg	Control pendant or frequency converter	Pressure roller or slack rope switch, alternatively combination of pressure roller and slack-rope switch

\*recommended rope: DIN 3069 FE-znk-1960 sZ-spa

• All Pfaff winches are supplied WITHOUT wire rope.

## TECHNICAL DATA

**BETA SL Electric winches**  
**Capacities: 250 - 2000kg**



Article number	Size	Capacity 1st layer kg	Rope speed 1st layer m/min	FEM	BGV	Power kW	Rec. rope strength	Rec. rope Ø*	Rope capacity	
									1st layer mtr	top layer mtr
Type code										
40063758	SL0	250	2.5	1 Bm	D8	400v	0.25	4	7	46.7
31140006	SL0	250	4.7	1 Bm	D8	400v	0.37	4	7	46.7
40062946	SL1	500	6.8	1 Am	D8	400v	0.75	6	6.7	48.9
40062989	SL1	630	6.8	1 Bm	D8	400v	0.75	6	6.7	48.9
40062990	SL2	980	6.0	1 Am	D8	400v	1.1	9	11	77.5
40062993	SL2	1250	6.0	1 Am	D8	400v	1.1	9	11	77.5
40062996	SL3	2000	6.8	1 Bm	D8	400v	2.2	12	10	74.5

\*recommended rope: DIN 3069 FE-znk-1960 sZ-spa

• All Pfaff winches are supplied WITHOUT wire rope.

Article number	Size	Capacity 1st layer kg	Dimensions in mm							
			A	B	ØC	F	G	H	L	ØM
40063758	SL0	250	185	170	12	389	432	241	180	64
31140006	SL0	250	185	170	12	389	432	241	180	64
40062946	SL1	500	215	300	13.5	740	340	340	200	86
40062989	SL1	630	215	300	13.5	750	340	345	200	86
40062990	SL2	980	270	400	18	920	465	475	250	175
40062993	SL2	1250	270	400	18	930	465	480	250	175
40062996	SL3	2000	320	510	22	1070	570	614	300	175

\*recommended rope: DIN 3069 FE-znk-1960 sZ-spa

• All Pfaff winches are supplied WITHOUT wire rope.