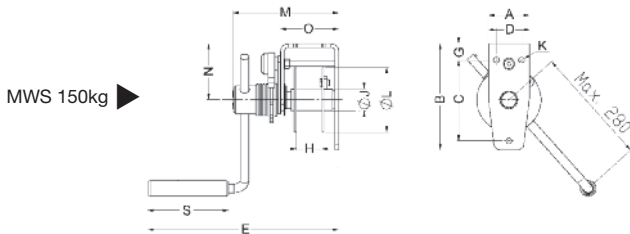
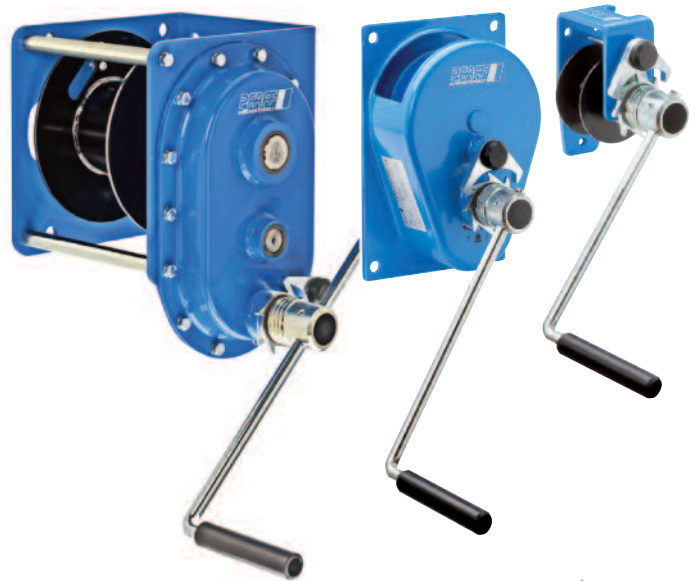


MWS, Manual winch with spur gear drive Capacities: 150 - 1500kg

For use where no electricity is available or in a dirty environment.

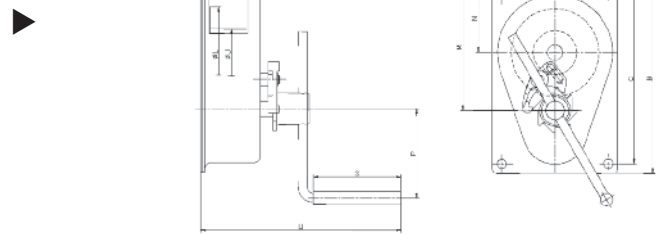
Features and benefits include:

- Enclosed gear drive for protection of internal parts, even under tough working conditions.
- Spur gears on roller bearings, rope drum on plain bearings.
- Easy and quick mounting onto walls, poles etc.
- They have a self-locking, anti-kickback and adjustable crank handle for fast lifting of smaller loads, resulting in lowest possible handle effort and rapid winding of the rope.
- Automatic load pressure brake for safe holding and extremely sensitive lowering of the load. Unintentional brake release is prevented even with swinging loads.
- They are suitable for operation in ambient temperatures of -20°C up to +40°C.

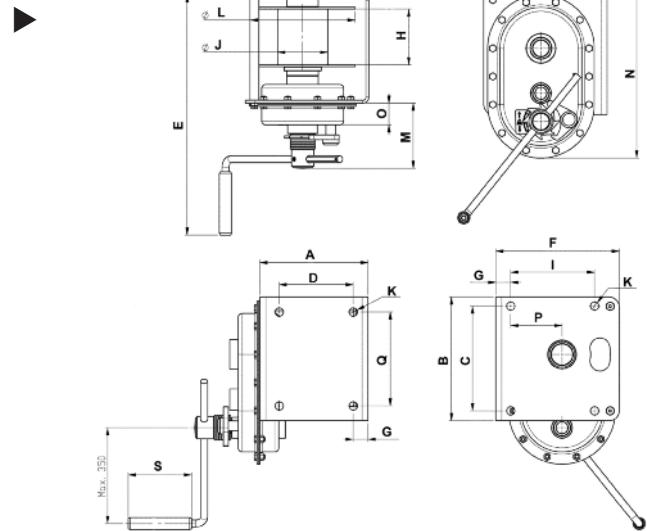


Model	MWS 150	MWS 300	MWS 600	MWS 1000	MWS 1500
A, mm	65	200	200	219	219
B, mm	168	300	300	250	250
C, mm	128	268	268	212	212
D, mm	40	168	168	150	150
E, mm	303	318	318	483.5	483.5
F, mm	-	-	-	250	250
G, mm	26	-	-	30	30
H, mm	40.5	55	55	113	113
I, mm	-	-	-	170	170
J, mm	35	70	60	102	102
K, mm	9	12	12	17	17
L, mm	102	145	145	212	212
M, mm	168	182	182	130	130
N, mm	89	199	199	338	338
O, mm	92	96	96	44	44
P, mm	-	-	-	104	104
Q, mm	-	-	-	190	190
S, mm	128.5	128.5	128.5	128.5	128.5

MWS 300-600kg



MWS 1000-1500kg



Model	Article number	Lifting capacity 1st rope layer kg	Lifting capacity last rope layer kg	Crank effort 1st rope layer daN	Ratio	Recomm. rope diameter mm	Minimum breaking load of wire rope kN	Useable rope length max. mtr	Number of rope layers max.	Weight without wire rope kg
MWS 150	N02800013	150	68	11	1:1	4	5.7	13	8	4
MWS 300	N02800014	300	166	6	1:7.4	5	15.9	21	7	10
MWS 600	N02800015	600	308	10	1:7.4	6	22.9	12	6	11
MWS 1000	N02800018	1000	587	11	1:17	9	51	25	5	27
MWS 1500	N02800019	1500	844	12	1:25.7	10	63	21	5	28

*All winches are supplied WITHOUT wire rope.

** These winches are not designed for passenger elevation and must not be used for this purpose!*