

SW-W-SGO 'WALL-MOUNTED' WIRE ROPE WINCHES (WG)

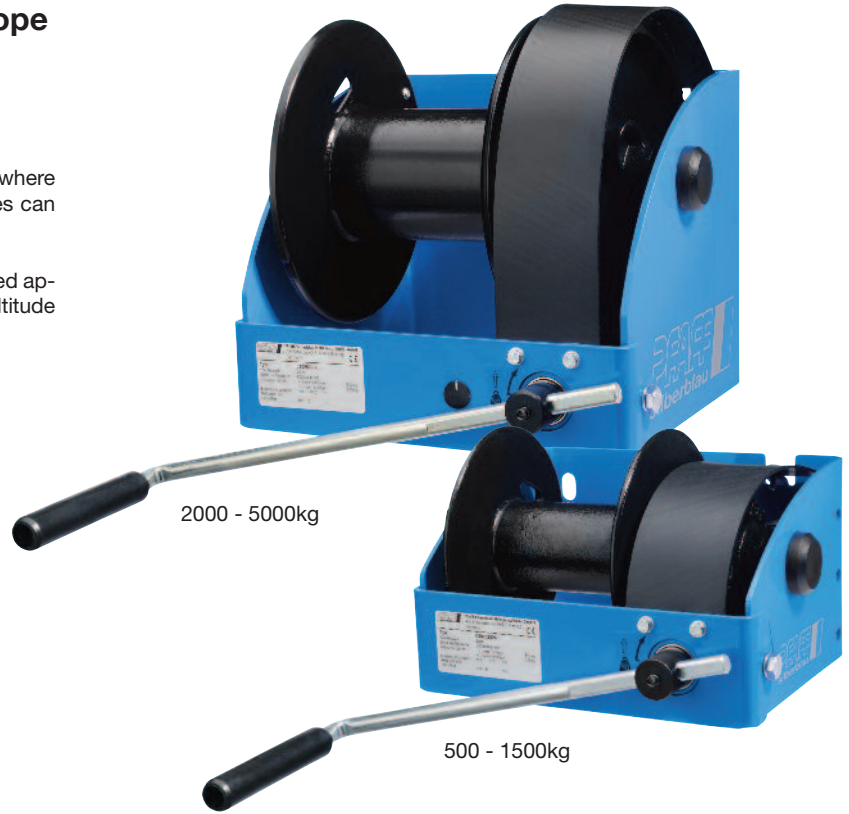
SW-W-SGO, wall-mounted wire rope winches with worm gear drive Capacities: 250 - 5000kg

Heavy-duty wire rope winch suitable for use in areas where electricity isn't available or where electrical appliances can not be safely operated.

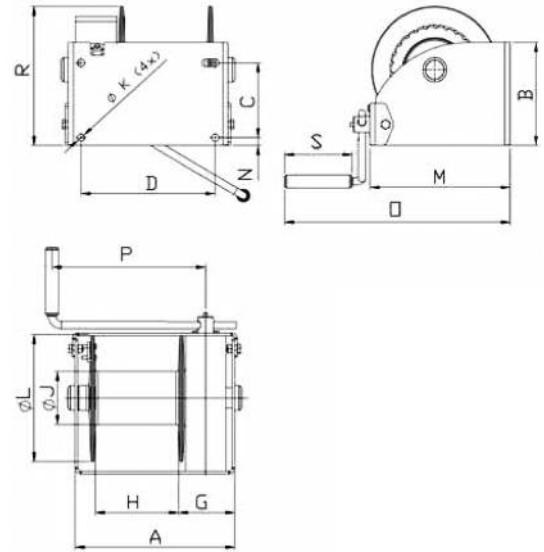
Can also act as a reliable manual back-up for a powered appliance. Ideal for use in theatres, sports halls and a multitude of industrial applications.

Features and benefits include:

- 2 lifting speeds on 2000kg+ models.
- Compact design, robust fabricated steel frame, suitable for wall-mounting.
- Machine-cut worm wheel & shaft, mounted bearings & worm gear drive.
- Lots of optional extras available including multi-compartment drums, grooved drums, free drum-spooling device, controlled free spooling, air motor and zinc-plated.



Model	SGO 250	SGO 500	SGO 1000	SGO 1500	SGO 2000	SGO 3000	SGO 5000
Art. no.	40251003	40252026	40253006	40253000	30254002	30255009	30256013
A, mm	238	269	302	302	410	436	436
B, mm	145	160	195	250	310	365	425
C, mm	100	115	141	178	196	251	316
D, mm	192	223	254	254	360	386	386
G, mm	106	107	110	111	137	137	137
H, mm	102	131	160	160	176	204	204
J, mm	48	70	102	102	137	165	219
K, mm	14	14	17	17	25	25	25
L, mm	160	190	240	240	312	376	437
M, mm	191	221	266	278	383	443	495
N, mm	15	15	15	15	45	47	60
O, mm	354	384	429	441	-	-	-
P, mm	280	325	350	350	380	380	380
R, mm	171	192	264	306	420	427	604
S, mm	130	130	130	130	220	220	220



Article Number			40251003	40252026	40253006	40253000	30254002	30255009	30256013
Lifting capacity	- 1 st layer	kg	250	500	1000	1500	2000	3000	5000
	- Upper layer	kg	92	224	527	846	1038	1667	3276
Wire rope Ø		mm	4*	6*	8*	10*	11*	14*	18*
Wire rope cap.	- Upper layer	m	44	54	46	38	37	34	33
Lift per crank rotation		mm	17	20	13	9	5/12**	5/11**	3/13**
Crank effort	- 1 st layer	daN	6	10	13	14	11/24**	14/31**	14/73*
Weight		kg	13	16	29	28	60	78	117