



Suitable for use in a multitude of industries, our forklift tipping skips help keep working areas clear and allow safe and speedy removal of scrap or rubbish to the appropriate waste receptacle or collection point.

This range of skips come fitted with bi-parting folding lids to contain rubbish and control unwanted odours

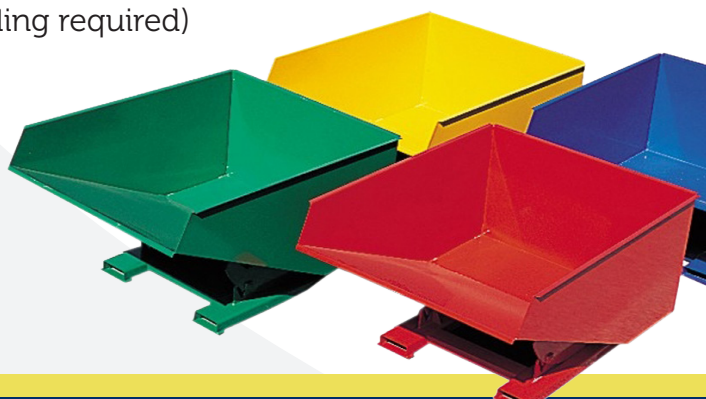
Manufactured from 3mm gauge steel

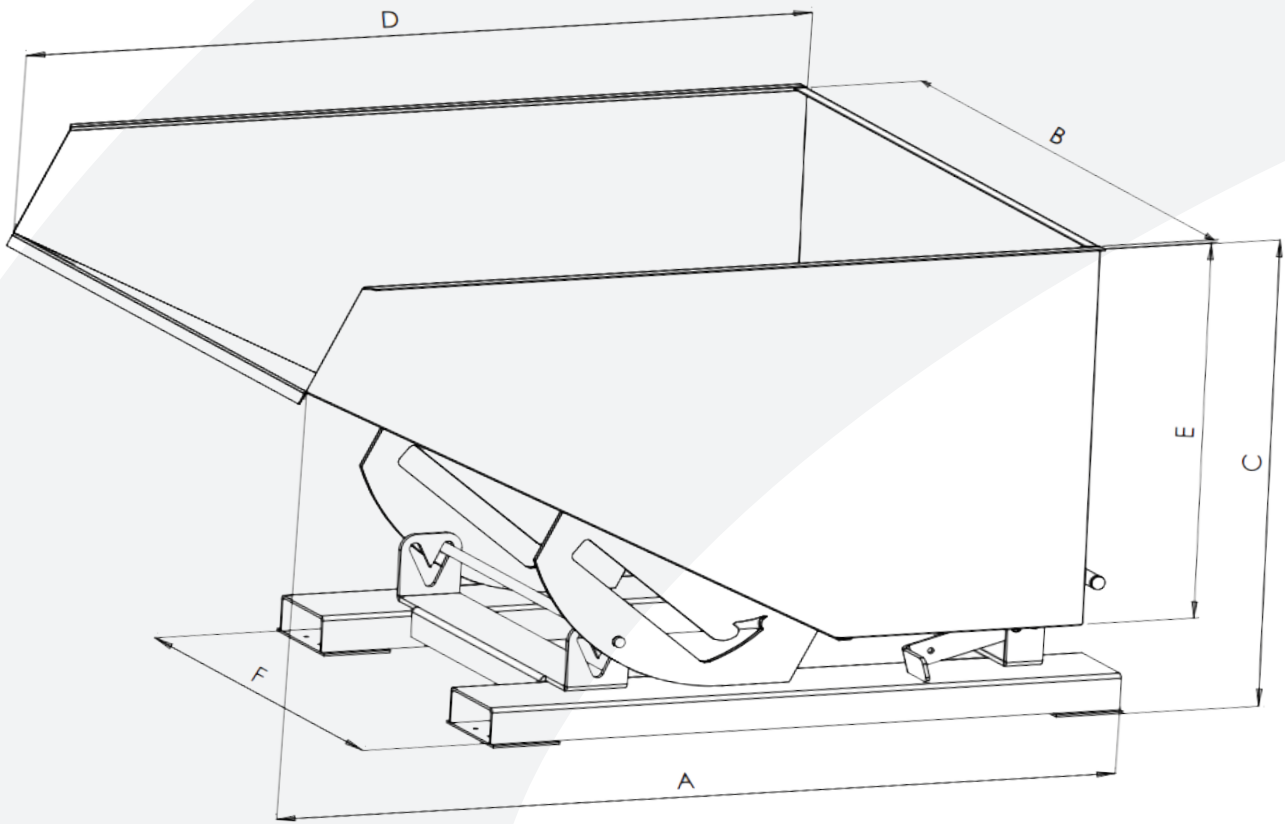
Model Ref	Volume Capacity (m <sup>3</sup> )	Load Capacity (kg)	Weight (kg)
RFS 40L-L	0.40	1000	144
RFS 80L-L	0.80	1000	204
RFS 120L-L	1.20	1250	227
RFS 160L-L	1.60	1500	253
RFS 200L-L	2.00	1500	286

## Features & Benefits

- Fully formed lockable lid prevents rubbish blowing out whilst helping to reduce odours
- Full width release handles eliminates need to lean in between the skip and truck mast
- Heavy duty steel underframe offering long service life properties
- Twin locking mechanism for added safety to ensure skip is locked if loaded unevenly
- Pre-drilled castor plates for retro fitment of castors (no welding required)
- Safety security chain to ensure safe retention to forklift truck
- Bolted tipping handle for easy replacement (no welding required)

Skips can be colour coded to adhere to stringent and environmental policies



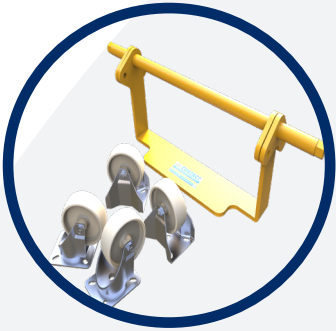


**Maximum Fork Section 150mm x 60mm**

Model Ref	O/all Length A (mm)	Bin Width B (mm)	O/all Height C (mm)	Bin Length D (mm)	Bin Height E (mm)	Fork Spread F (mm)
<b>RFS 40L-L *</b>	1360	794	846	1197	547	890
<b>RFS 80L-L</b>	1718	960	1052	1540	750	890
<b>RFS 120L-L</b>	1718	1300	1052	1540	750	890
<b>RFS 160L-L</b>	1718	1700	1052	1540	750	890
<b>RFS 200L-L</b>	1718	2125	1052	1540	750	890

\* For the RFS 40L-L model, please note the overall width is 925mm. For all other models, the bin width (dimension B) is the widest point

# Enhance your skip with the following



## Auto Release Kit

Automatically tip the skip for safer operation at height  
(adds 130mm to overall skip height)



## Upstand

Helps prevent dust going into the atmosphere when filling skip  
(diameter & height made to suit customer requirements)



## Castors

For easy manoeuvrability when forklift not in use  
(adds 130mm to overall skip height)



## Drain Tap & Filter

Enables liquid to drain from skip via a protective tap in base