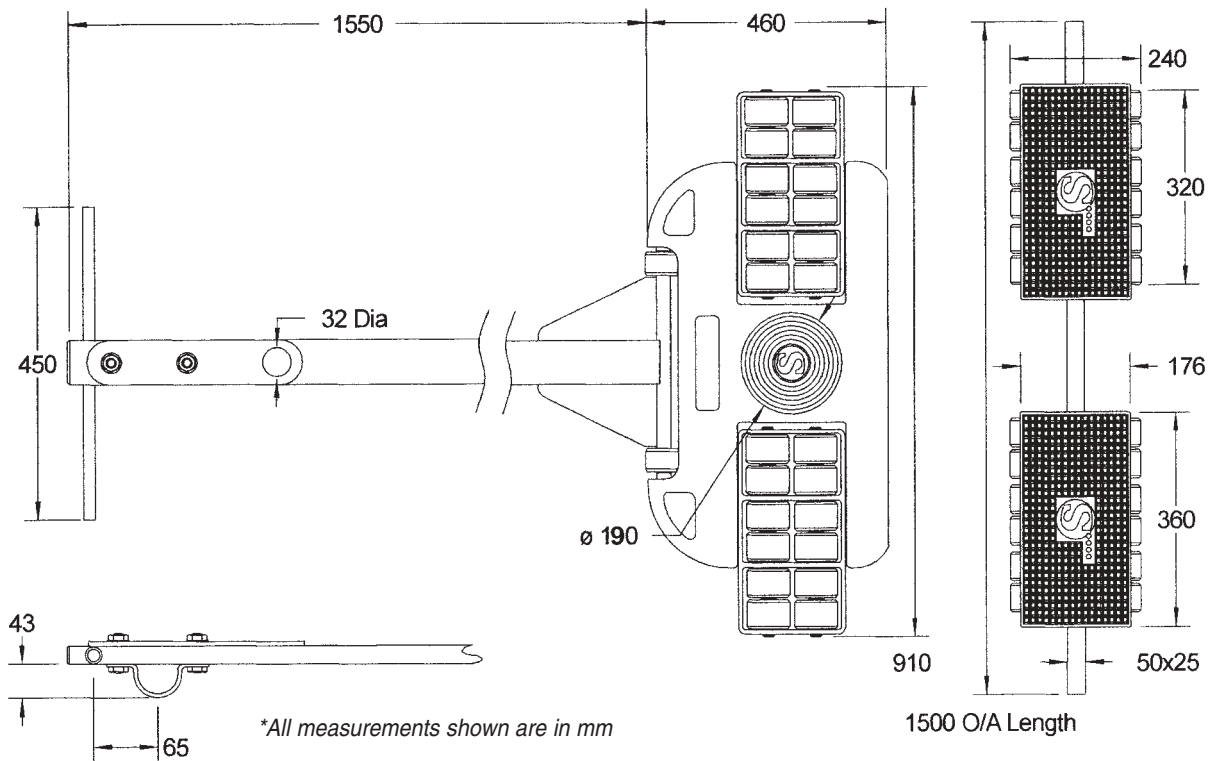


STEERMAN
LOAD MOVING SYSTEMS

TECHNICAL SPECIFICATION

Model: SX30

Description: 30 tonne Nylon Wheeled Skates



Model	Capacity of system (tonnes)	Colour and quantity of wheels	Size of wheels (mm)	Turntable diameter (mm)	Overall height (mm)	Rear width adjustment (mm)	Boxed weight (kgs)
SX30	30	Black x 48	82 x 48	190	110	720 to 1500	136

“Moving Loads the Professional Way!”