

HX SCISSOR LIFT TABLES

HX 150, HX 300, HX 500, HX 750 and HX-D 0350 scissor lift tables Capacities: 150 - 750kg

Workshop platform with adjustable height, suitable for all manufacturing, packing and workshop applications.

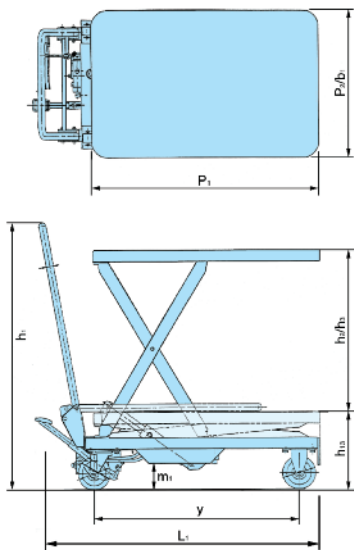
Features and benefits include:

- Five models offering 150 - 750kg lifting capacities and 220 - 1000mm lift heights.
- Hydraulic foot pumps lift the table with minimal effort.
- Hand-wheel operated hydraulic valve precisely and safely lowers load.
- Lockable wheel feature for added stability and safety.
- HX-D 0350 offers double-scissor feature.
- HX-D 0350 has greater lifting potential, up to 1.3mtr.

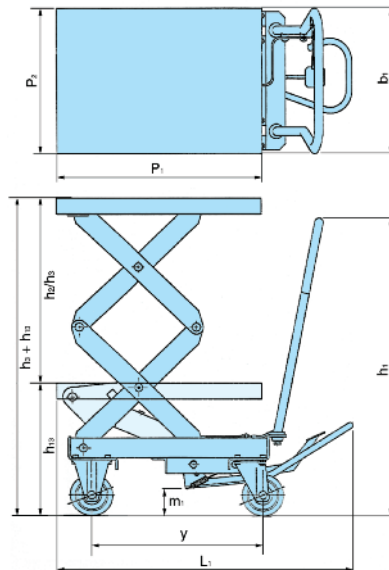
 Note: Lowering action is via a cable rather than knob shown in photographs.



HX 750



HX 150, HX 300, HX 500 and HX 750



HX-D 0350



HX-D 350

Type			HX 150	HX 300	HX 500	HX 750	HX-D 0350
Article no.			34600020	40057357	40057358	40057360	40057361
Lifting capacity		kg	150	300	500	750	350
Wheel size		mm	100 x 36	128 x 40	128 x 40	147 x 50	128 x 40
Rollers			PUR/PUR	PUR/PUR	PUR/PUR	PUR/PUR	PUR/PUR
Overall unit height	h1	mm	960	984	984	990	965
Overall unit length	L1	mm	908	1093	1093	1330	1140
Max. height of platform	h3+h13	mm	720	880	880	1000	1300
Min. height of platform	h13	mm	220	285	285	420	370
Platform length	P1	mm	700	850	850	1000	910
Platform width	b1	mm	450	500	500	510	500
Floor/ground clearance	m1	mm	26	53	53	72	31
Lift height per pump stroke		mm	27	31	31	15	21
Weight		kg	49	78	82	120	136

*Polyurethane (PUR).