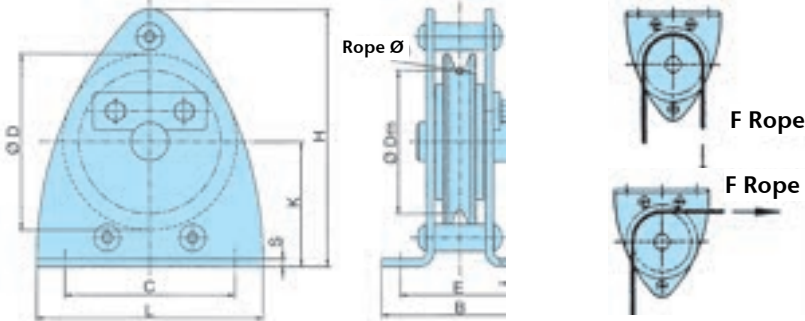


DSRB S WIRE ROPE SHEAVE BLOCKS

Guiding with DSRB S wire rope sheave blocks for BETA PROLINE and SILVERLINE manual and electric rope winches. The dynamic all-rounder with variable rope and sheave diameters and cable deflections of up to 180° can move loads of up to 8 tonne with ease and absolute reliability. Typical for Pfaff is the high standard of quality: With a sheave block for manual and powered operation, equipped with grease-filled, sealed ball-bearings as standard. A carefully coordinated system of application-specific cable diameters and matching turned precision cable groove ensures that the unit is also wear-free.



Model	Article number	Rope Ø		D Ø	Dm Ø	Drive group	Max. tensile load kg at deflection		D ₁ Ø	L	C	H	B	E	S	K	M/M ₁ Ø
		Manual winch mm	Electric winch mm				90°	180°									
DSRB S 90/4	33447103	3-4	4	90	80	2m	700	500	20	120	90	134	85	62	4	65	9/9
DSRB S 90/6	33447413	5-6	6	90	7	1Dm	700	500	25	120	90	134	85	62	6	65	9/9
DSRB S 145/5	33447104	5	5	145	125	4m	1100	800	25	200	160	224	125	88	6	110	11.5/13
DSRB S 145/6	33447105	6	6	145	125	2m	1100	800	25	200	160	224	125	88	6	110	11.5/13
DSRB S 145/7	33447106	7	7	145	126	1Am	1100	800	25	200	160	224	125	88	6	110	11.5/13
DSRB S 185/8	33447107	8	8	185	160	2m	2300	1630	30	245	195	273	138	106	8	135	13.5/15
DSRB S 270/12	33447111	9-12	12	270	246	2m	2500	1800	40	360	290	407	191	138	10	202	18/20
DSRB S 325/14	33447117	14	14	325	297	2m	4500	3200	50	440	350	490	260	180	12	242	22/25

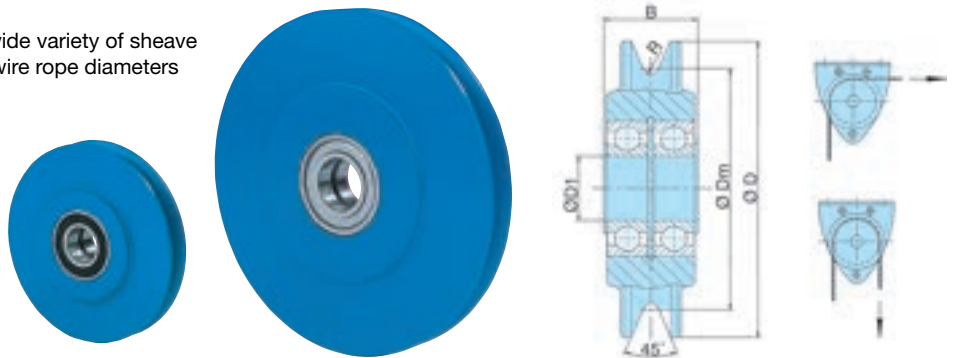
Other size options are available upon request.

DSR S SHEAVES

Pfaff's wire rope pulleys are available in a wide variety of sheave diameters from 145mm up to 490mm and wire rope diameters from 6mm to 18mm.

Features and benefits include:

- Wear resistant rope guide.
- Made from high quality steel.
- Bearings fitted as standard.
- Operating temperature -20° to +40°



Model	Article no.	D	Rope Ø	Dm	Drive group	Tensile load kg at deflection		Ball bearing	D ₁ Ø	R	B
						FEM	90°				
DSR S 145/5	33447204	145	5	125	2m	1100	800	6205ZZ	25	2.7	34
DSR S 145/6	33447205	145	6	125	2m	1100	800	6205ZZ	25	3.2	34
DSR S 185/8	33447207	185	8	160	2m	2300	1630	6306ZZ	30	4.2	42
DSR S 270/10	33447209	270	10	245	3m	2500	1800	6208ZZ	40	5.3	41
DSR S 270/12	33447211	270	12	246	2m	2500	1800	6208ZZ	40	6.5	41
DSR S 325/14	33447217	325	14	297	2m	4500	3200	6310ZZ	50	7.5	60
DSR S 400/18	33447214	400	18	364	2m	5000	3800	6310ZZ	50	9.7	61

Other size options are available upon request.