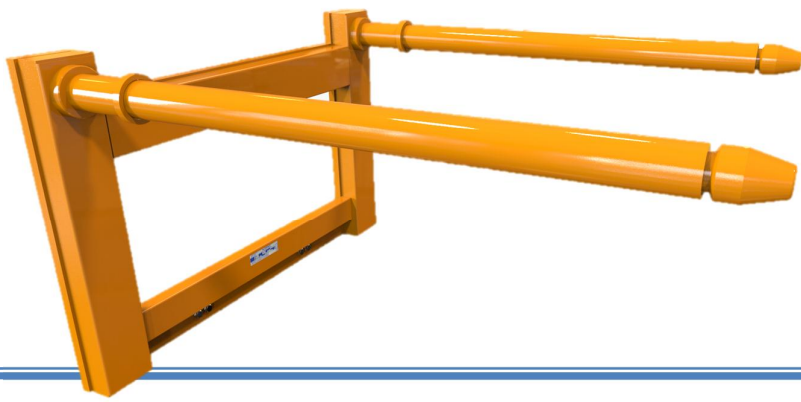


Carriage Mtd Big Bag Handler (CBBT)



The carriage mounted big bag handler is the perfect attachment for lifting and transporting bulk big bags. The attachment quickly fits to the carriage of a forklift truck via the rear hangers positioned on the back of the attachment. These heavy duty hangers ensure the attachment is securely fixed to the truck, and can even be supplied in a quick release style to enable you to quickly remove and re-fit the attachment to the truck when desired. The attachment lifts the bags via two tines, the solid steel tines are of suitable size to ensure no deflection or bounce during movement. They also have a leading edge on the tips, to make entering and exiting bag straps easier. The tines have a fixed ring at the rear, to catch the rear bag straps, ensuring no sliding can occur during movement and braking.

Model Ref.	Capacity	Carriage Cls	Weight	LLC	C Of G
CBBT-1	1000kgs	2	150kgs	80mm	300mm
CBBT-2	1000kgs	3	155kgs	80mm	250mm

With the lower hangers removed and the poles resting on a raised surface, drive the fork truck slowly forwards until the top of the truck carriage plate contacts the backplate of the attachment just below the top hangers. Carefully raise the mast until the centralising lug on the attachment castellation on the carriage plate and the top hangers fit snugly on the top of the carriage rail. The bottom hangers must then be bolted in position through the holes provided.

