

Adjustable Snow Plough (ASP)



Our Adjustable Snow Plough fits to the truck by the following means.

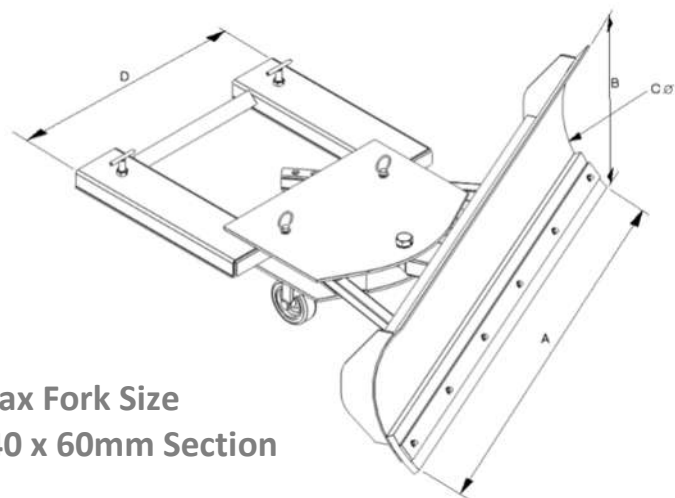
Simply; ensure the screw clamps on the pockets are unscrewed to allow the forks to enter. Drive the truck into the pockets as far as possible, then simply tighten the clamps, ensuring adequate retention is achieved.

To adjust the blade angle; remove the lynch pins from the 2 removable drop pins, then move the blade to the desired position. Replace both drop pins and re-fit the lynch pins.

Adjustable Snow Ploughs allow simple adjustment enabling the plough to sweep left, right or straight ahead. Castors and rubber blade inserts are fitted as standard.

Model Ref.	A	B	C	D
ASP 1525 RC	1525mm	550mm	380mm	804mm
ASP 1830 RC	1830mm	550mm	380mm	804mm
ASP 2130 RC	2130mm	550mm	380mm	804mm

Model Ref.	Weight	C of G
ASP 1525 RC	133kgs	752mm
ASP 1830 RC	142kgs	773mm
ASP 2130 RC	150kgs	789mm



Max Fork Size
140 x 60mm Section

