



**William Hackett**

**Lifting365**

## WH L4 Compact Lever Hoist

The Hackett WH L4 250kg and 500kg lever hoist meets and exceeds the requirements of the following international standards:

British and European Standard BS EN13157:2004 + A1:2009

American Standard ASME B30.21-2014

Australian Standard AS1418.2-1997

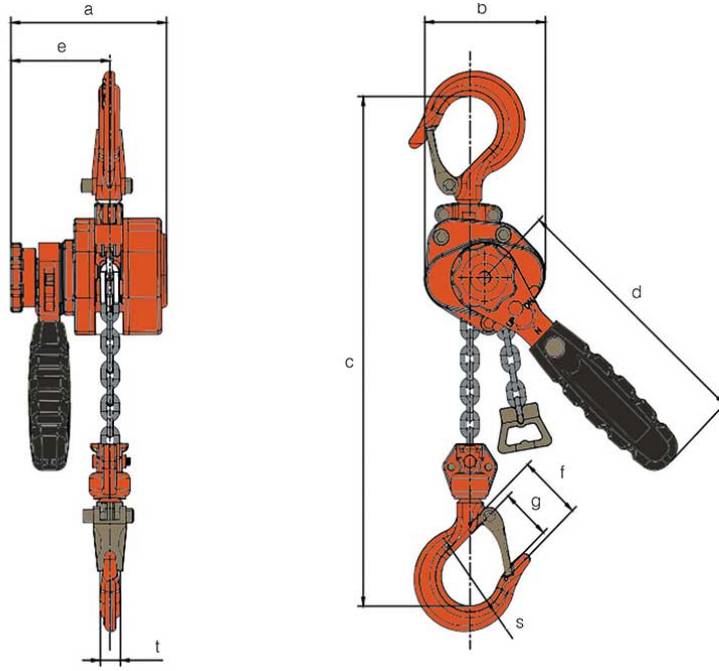
NORSOK R-002: 2017 (except for overload limiter).

The design and specification of the William Hackett WH-L4 compact lever hoist includes:

- **WORKING LOAD LIMIT RANGE:** 250kg and 500kg.
- **LIGHT LOAD CAPABILITY:** the WH L4 compact lever hoist is tested and certified at 2% of the lever hoist rated capacity.
- **TWIN PAWL:** double safety; fitted as standard.
- **SAFETY FACTOR:** 4:1.
- **SAFETY LATCHES:** the WH L4 compact lever hoist top and bottom hooks are fitted with heavy duty cast steel latches. The latch and hook tips are integrated creating a strong and robust hook closure.
- **OVERLOAD INDICATOR MARKS:** the WH L4 compact lever hoist top and bottom hooks have, as part of the hook forging, overload indicator marks either side of the hook throat.
- **LOAD CHAIN:** the WH L4 compact lever hoists are fitted with load chain that generally complies with international standard BS EN818-7. Grade T (8).
- **ROBUST END STOP:** Ergonomically designed load chain end stop allows the operative to secure a firm grip when using the end stop to adjust the chain.
- **COMPACT LEVER HOISTS:** supplied with a hard wearing belt bag carry case.
- **TEMPERATURE RANGE:** -20°C to + 120°C.
- **PROOF TESTED:** every hoist is proof tested to 1.5 times the Working Load Limit.
- **MANUFACTURED AND PROOF TESTED** in the U.K.



# SPECIFICATION AND DIMENSIONS



| Part Code | WLL tonnes | No. of Falls | Load Chain mm | Standard Lift m | A mm | B mm | C mm | D mm | E mm | F mm | G mm | S mm | T mm | Mass kg |
|-----------|------------|--------------|---------------|-----------------|------|------|------|------|------|------|------|------|------|---------|
| 032.025   | 0.25       | 1            | 3.2 x 9       | 1.5             | 90   | 68   | 200  | 150  | 56   | 35.5 | 20   | 32   | 11   | 1.6     |
| 032.050   | 0.50       | 1            | 4.3 x 12      | 1.5             | 98   | 81   | 250  | 172  | 62   | 42   | 21   | 34.5 | 12.5 | 2.6     |