

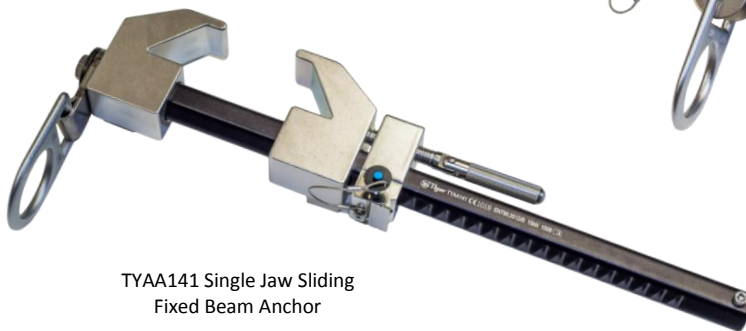
Tiger Beam Anchors Model No. TYAA



TYAA212 Two Jaw Sliding
Fixed Beam Anchor



TYAA231 Mobile Two Jaw Sliding
Mobile Beam Anchor



TYAA141 Single Jaw Sliding
Fixed Beam Anchor

Main Features

- Anchorage connectors for personal fall arrest systems
- Part of the Tigersafe range of height safety equipment
- CE Certified - CE 1019
- Minimum Breaking Strength 22.3 kN (5,000 lb/2.27 tonne)
- Capacity 140kg
- Quick and versatile anchorage point for personal fall protection equipment
- Easy adjustment
- Beam width ranges 2.5" to 24", 6.35cm to 60cm
- Maximum flange thickness 1.5", 3.8cm
- Unit weight from 1.9kg – 3.5kg
- These units meet the requirements of EN 795:2012/B and ANSI/ASSE Z359.1-2007

Tiger Beam Anchors are used as anchorage connectors for personal fall arrest systems. They are designed to be attached to Horizontal I-Beams with an attached personal fall arrest system (full body safety harness, shock absorbing lanyard or fall arrest block). The Tiger single jaw sliding clamp can also be attached to Vertical I-Beams.

Certification:

Each unit comes fully certified with a test certificate or an EC Declaration of Conformity stating compliance with the essential health and safety requirements of the Machinery Directive 2006/42/EC. Each unit is also supplied with Manufacturer's Instructions for Use.

Recommendation:

We advise that structural calculations are carried out on all beams and supporting steel work by qualified engineering departments to ensure safe operation.

Minimum Breaking Strength: 22.3 kN (5,000 lb/2.27 tonne)

Beam Flange Sizes: The Fixed Beam Anchor may only be installed on beams with flanges within the adjustment range of the model.

Capacity: This Fixed Beam Anchor is designed for **one person use only**, with a combined weight (clothing, tools, etc.) of no more than 310 lbs (140kgs). No more than one personal protective system may be connected to this equipment at one time.

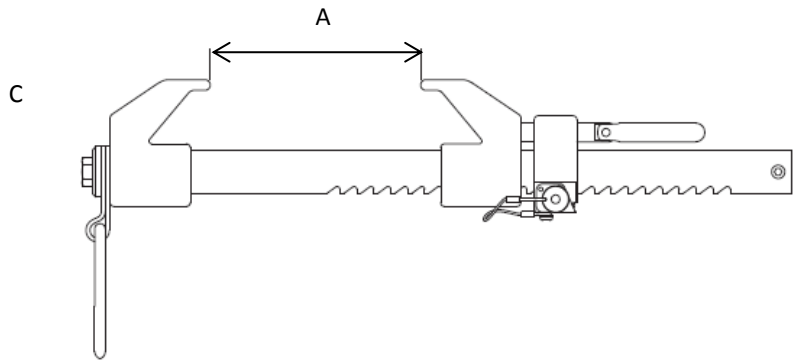
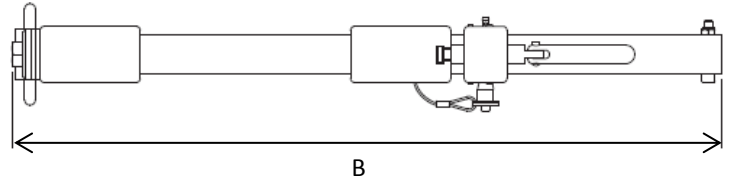
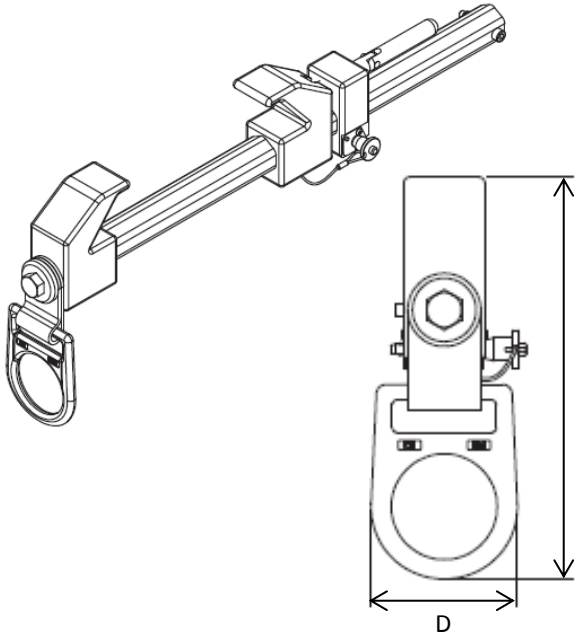
Technical Data

Code	Description	A - Beam Flange Size	B (mm)	C (mm)	D (mm)	Weight (Kg)
TYAA141	Fixed Type Single-Jaw Sliding Horizontal & Vertical Beam Use	2.5" to 12", 6.35 cm to 30.0 cm	531	209	76	2.54
TYAA142		2.5" to 18", 6.35 cm to 45.0 cm	684	209	76	2.83
TYAA143		2.5" to 24", 6.35 cm to 60.0 cm	781	209	76	3.12
TYAA211	Fixed Type Two-Jaw Sliding Horizontal Beam Use	2.5" to 12", 6.35 cm to 30.0 cm	490	199	76	1.93
TYAA212		2.5" to 18", 6.35 cm to 45.0 cm	643	199	76	2.22
TYAA213		2.5" to 24", 6.35 cm to 60.0 cm	790	199	76	2.51
TYAA231	Mobile (rolling) Type Two-Jaw Sliding Horizontal Beam Use	2.5" to 12", 6.35 cm to 30.0 cm	490	239	140	3.00
TYAA232		2.5" to 18", 6.35 cm to 45.0 cm	643	239	140	3.28
TYAA233		2.5" to 24", 6.35 cm to 60.0 cm	790	239	140	3.56

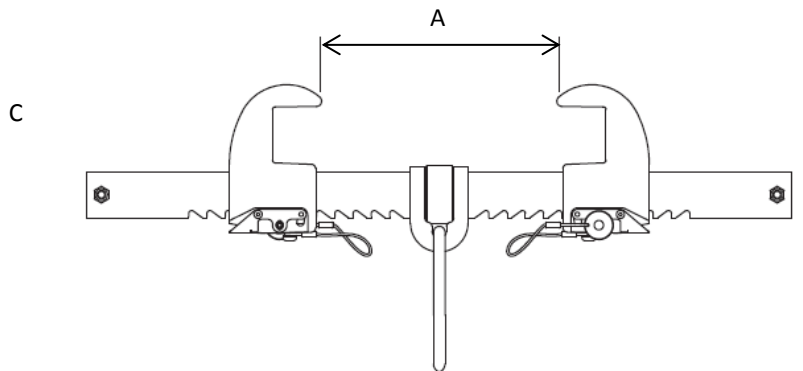
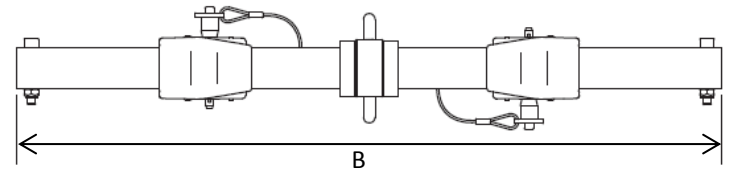
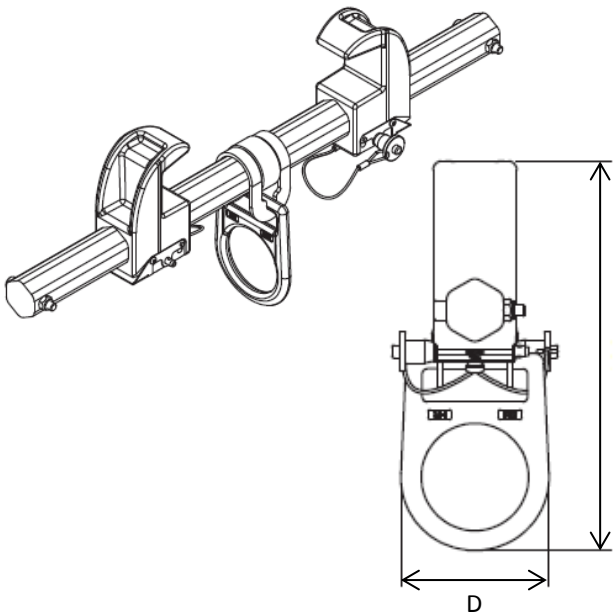
Maximum flange thickness 1.5", 3.8cm

Technical Drawings

TYAA141, TYAA142, TYAA143



TYAA211, TYAA212, TYAA213



TYAA231, TYAA232, TYAA233

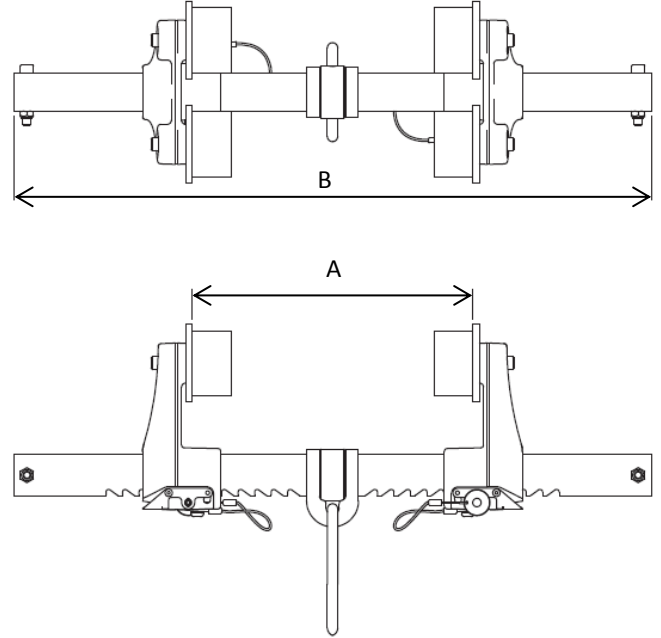
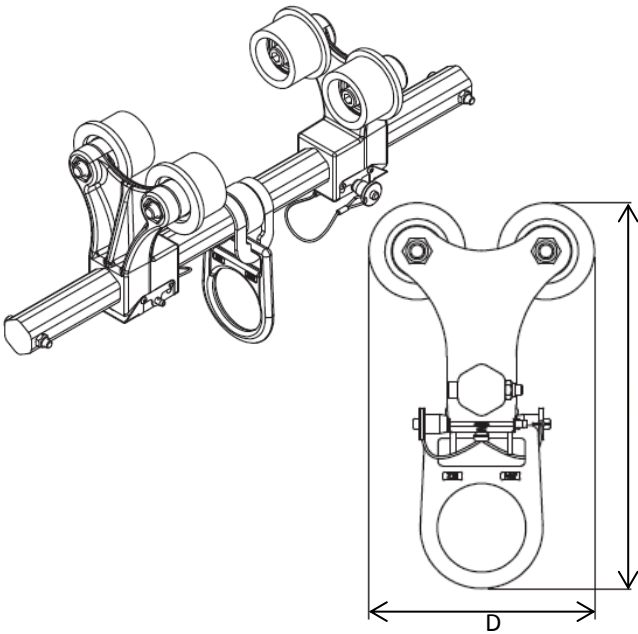
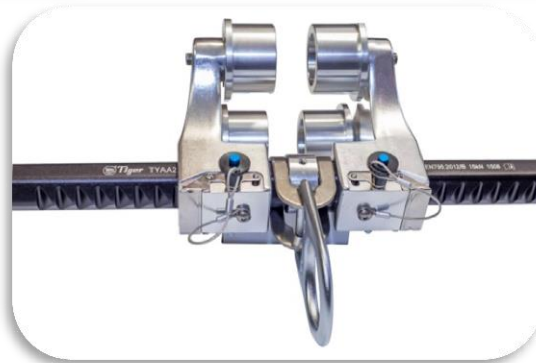


Photo Gallery



Due to our policy of continual product development, dimensions, weights and specifications may change without prior notice. Please check with your Tiger sales team when ordering.