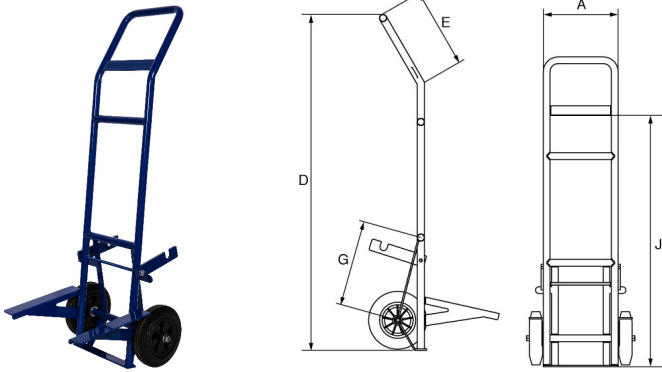


Test Weight Trolley – TWT



- Suitable for moving 100kg of comprising items 4 x GT test weights and 1 x GT test weight stillage.
- Blue painted.
- Company branding via laser cutting available.
- Certification available **2.1**

Product Code	A	D	E	G	J	Weight
	mm	mm	mm	mm	mm	kgs
TWT	280	1162	277	297	927	13