

Suitable for use in a multitude of industries, our forklift tipping skips help keep working areas clear and allow safe and speedy removal of scrap or rubbish to the appropriate waste receptacle or collection point

Manufactured from 3mm gauge steel

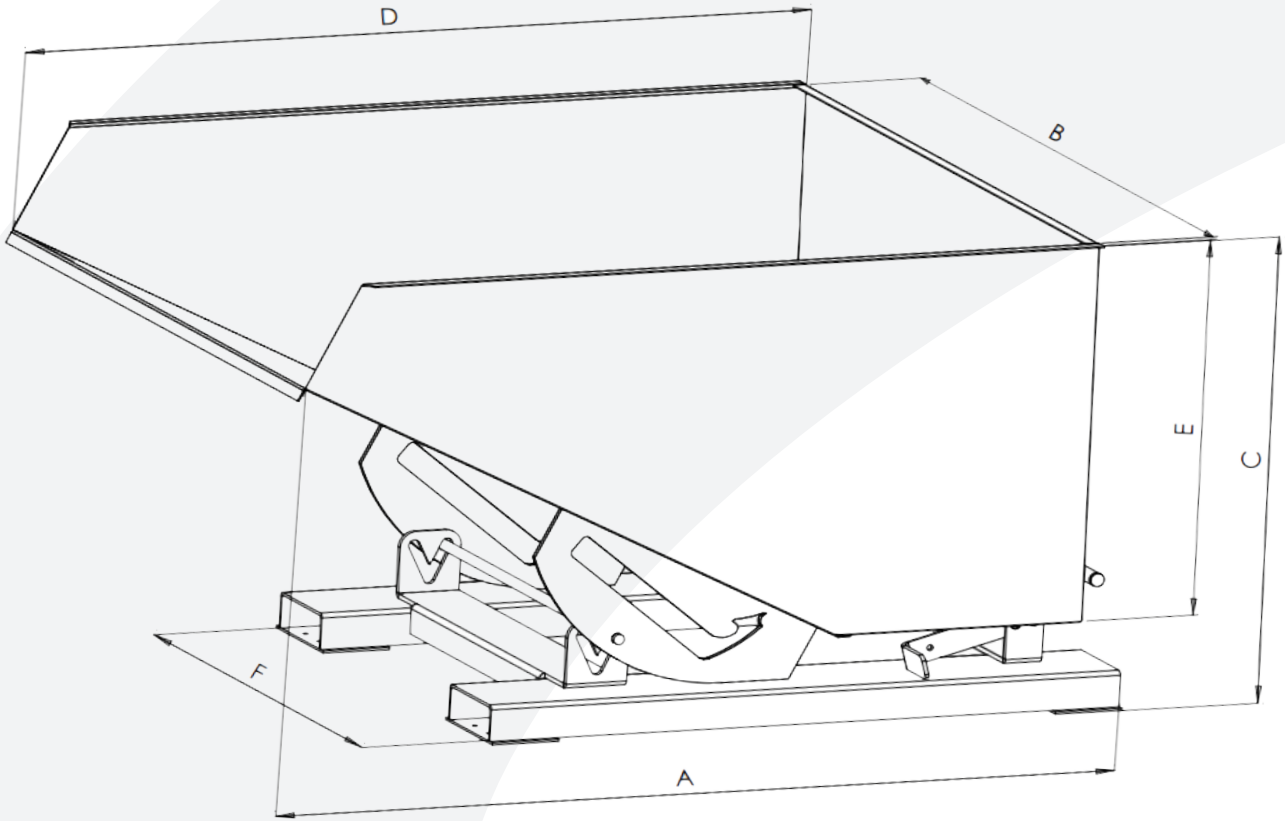
| Model Ref       | Volume Capacity (m <sup>3</sup> ) | Load Capacity (kg) | Weight (kg) |
|-----------------|-----------------------------------|--------------------|-------------|
| <b>RFS 40L</b>  | 0.40                              | 1000               | 125         |
| <b>RFS 80L</b>  | 0.80                              | 1000               | 177         |
| <b>RFS 120L</b> | 1.20                              | 1250               | 198         |
| <b>RFS 160L</b> | 1.60                              | 1500               | 220         |
| <b>RFS 200L</b> | 2.00                              | 1500               | 248         |

## Features & Benefits

- Full width release handles eliminates need to lean in between the skip and truck mast
- Heavy duty steel underframe offering long service life properties
- Twin locking mechanism for added safety to ensure skip is locked if loaded unevenly
- Pre-drilled castor plates for retro fitment of castors (no welding required)
- Safety security chain to ensure safe retention to forklift truck
- Bolted tipping handle for easy replacement (no welding required)

Skips can be colour coded to adhere to stringent and environmental policies





**Maximum Fork Section 150mm x 60mm**

| Model Ref        | O/all Length A (mm) | Bin Width B (mm) | O/all Height C (mm) | Bin Length D (mm) | Bin Height E (mm) | Fork Spread F (mm) |
|------------------|---------------------|------------------|---------------------|-------------------|-------------------|--------------------|
| <b>RFS 40L *</b> | 1360                | 794              | 776                 | 1197              | 547               | 890                |
| <b>RFS 80L</b>   | 1718                | 960              | 982                 | 1540              | 750               | 890                |
| <b>RFS 120L</b>  | 1718                | 1300             | 982                 | 1540              | 750               | 890                |
| <b>RFS 160L</b>  | 1718                | 1700             | 982                 | 1540              | 750               | 890                |
| <b>RFS 200L</b>  | 1718                | 2125             | 982                 | 1540              | 750               | 890                |

\* For the RFS 40L model, please note the overall width is 925mm. For all other models, the bin width (dimension B) is the widest point