

Pulley blocks, hinged, with single steel sheave

Capacity 1000 - 6400 kg

One side of the Yale pulley blocks is hinged and can be opened for easy and quick positioning of the wire rope on the sheave. It can also provide a quick and versatile rigging point or redirect a wire rope.

Features

- Swinging the hook in the direction of pull securely locks the pulley block.
- The high quality cast steel sheaves have machined grooves and are fitted with Permaglide® bushes.
- When choosing and classifying pulley blocks, take the "Principles for Rope Drives" DIN 15020 into consideration.

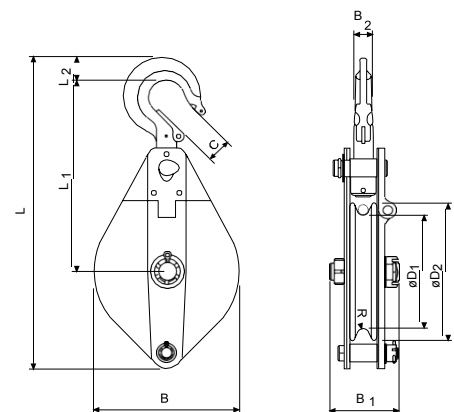


Technical data pulley blocks

Model	EAN-No. 4025092*	Capacity kg	Rope diameter mm	Weight kg
Pulley blocks 1000	*455817	1000	7	3.3
Pulley blocks 2000	*455794	2000	13	8.9
Pulley blocks 3200	*455800	3200	15	15.5
Pulley blocks 6400	*455824	6400	18	26.5

Dimensions pulley blocks

Model	Kloben 1000	Kloben 2000	Kloben 3200	Kloben 6400
B, mm	118	199	230	270
B1, mm	76	92	108	116
B2, mm	17	24	28	35
C, mm	23	27	31	42
Ø D1, mm	85	150	180	210
Ø D2, mm	105	190	220	260
L, mm	305	425	496	655
L1, mm	200	263	295	375
L2, mm	23	30	40	47
R, mm	4	7	9	10



INFO

Yale hoists and trolleys are not designed for passenger elevation applications and must not be used for this purpose.

