

SLIDING HUMMER FOR QUICK REMOVAL OF ENCRUSTATION

Practical and versatile percussive tool designed to facilitate the opening of manhole covers blocked by rust, ice, stones, asphalt, temperature expansion and inactivity.



Safety pin when hammer is not in use.



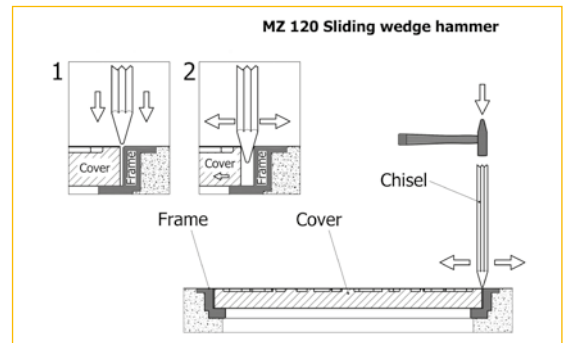
The ergonomics of the **MZ120** allows the use of the tool in standing up position and its conical tip made in tempered steel guarantees durability and robustness.



MZ120 particular shape allows you to unlock the safety lock of the lids and, subsequently, to be used as a lifting lever.



Useful for cutting layers of asphalt and concrete, cleaning and peeling dirt, which often cover the surface and the frame of the lid.



TECHNICAL CHARACTERISTICS

Code	K0352
Weight	Kg 8
Length	cm 130