

## Tiger Hand Winch

Model No. HW

### General Purpose Hand Winch HW-2000 (can be ceiling mounted)



- 2000lb/900kg capacity
- Available in regular or split reel, which allows for operation of two line or cables for greater versatility
- Available in handle or loop drive models
- Can be ceiling mounted with loop drive



### General Purpose Hand Winch HW-1200



- 1200lb/545kg capacity
- Ability to disengage the gear to allow fast pay out of the cable

### General Purpose Hand Winch HW-0600

- 600lb/270kg capacity
- Ability to disengage the gear to allow fast pay out of the cable

Operating temperature -40°C to +80°C (temperature range of -60°C to +80°C available as an option)

#### Certification:

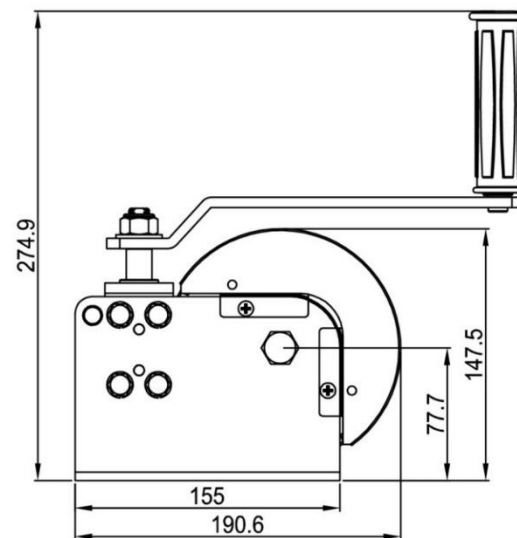
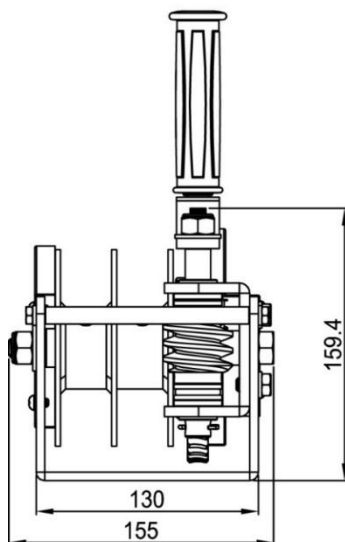
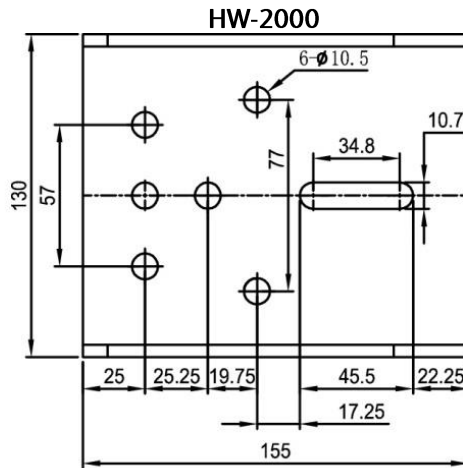
Each unit comes fully certified with a test certificate or an EC Declaration of Conformity stating compliance with the essential health and safety requirements of the Machinery Directive 2006/42/EC.

#### Technical Data

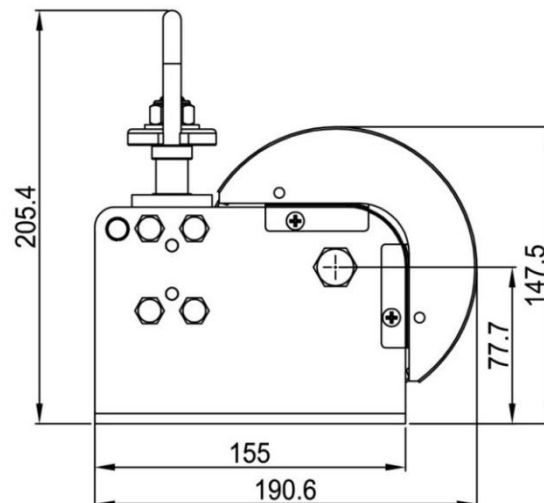
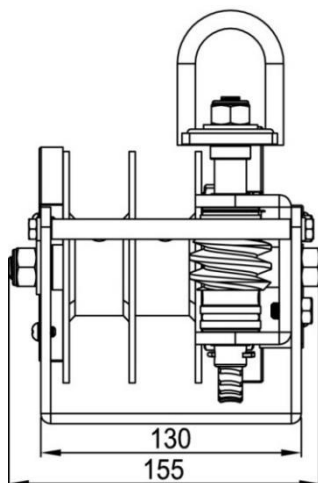
Product Code	Split Reel	Pulling Capacity (lbs/kg)	Hand Force Required (kg)	Gear Ratio	Hub Diameter (mm)	Handle Length (mm)	Unit Weight (with handle) (kg)	Unit Weight (with loop) (kg)	Cable Diameter (mm/inch)	Cable Storage Cap. (m)
HW-0600		600/270	7.0	3.1:1	ø19	175	2.2	--	ø4.0/ø5/32	28
HW-1200		1200/545	20.0	4.1:1	ø50	210	2.8	--	ø4.8/ø3/16	29
HW-2000-S	Yes	2000/900	4.5	41:1	ø48	190	5.7	5.4	ø4.8/ø3/16	8.8 per side
HW-2000		1000/450	2.25	41:1	ø48	190	5.5	5.2	ø4.8/ø3/16	17.6

For winches with split reels, each side has half the capacity.

Technical Drawings

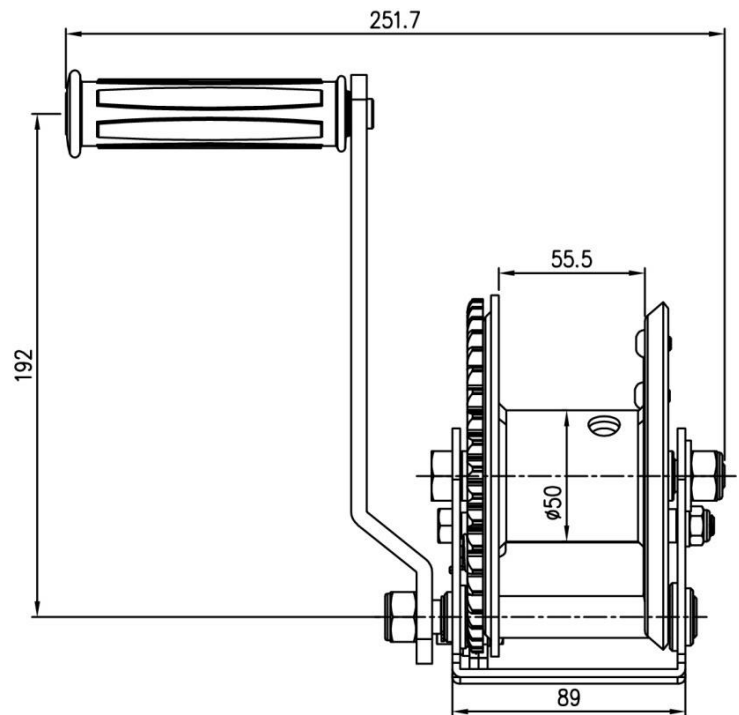
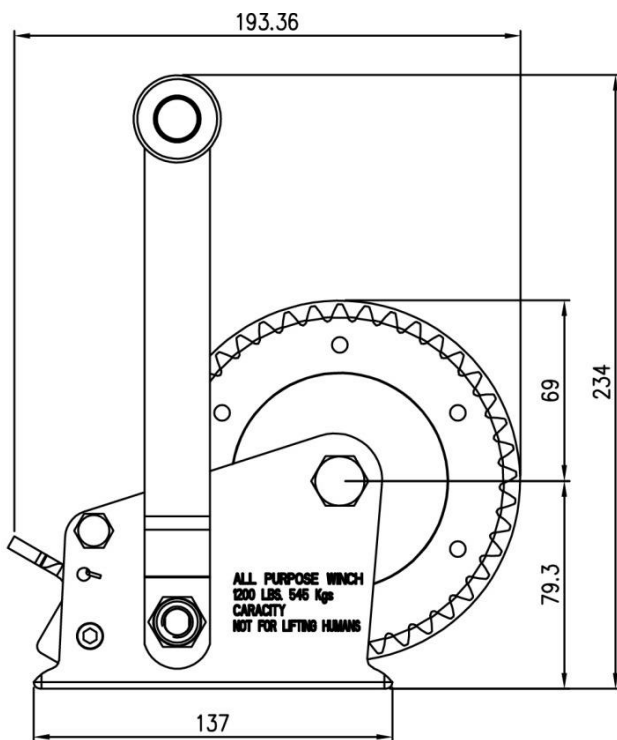
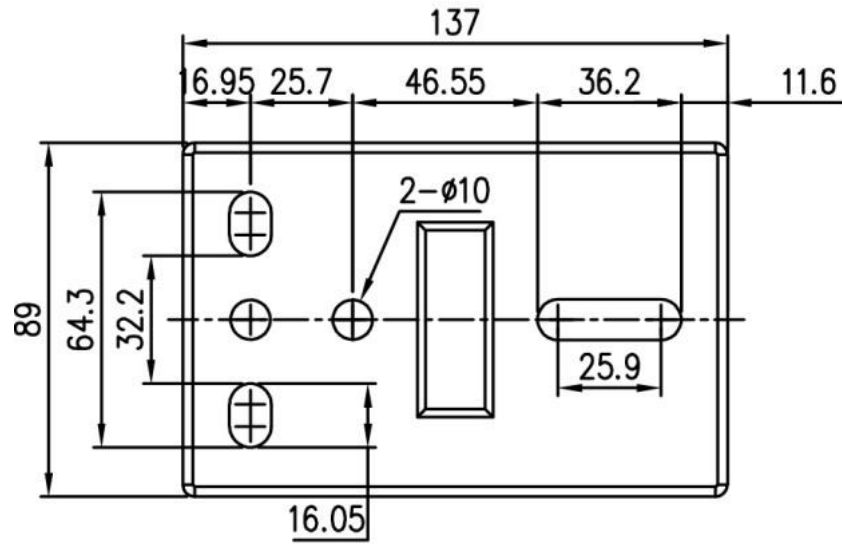


HW-2000 (with handle)

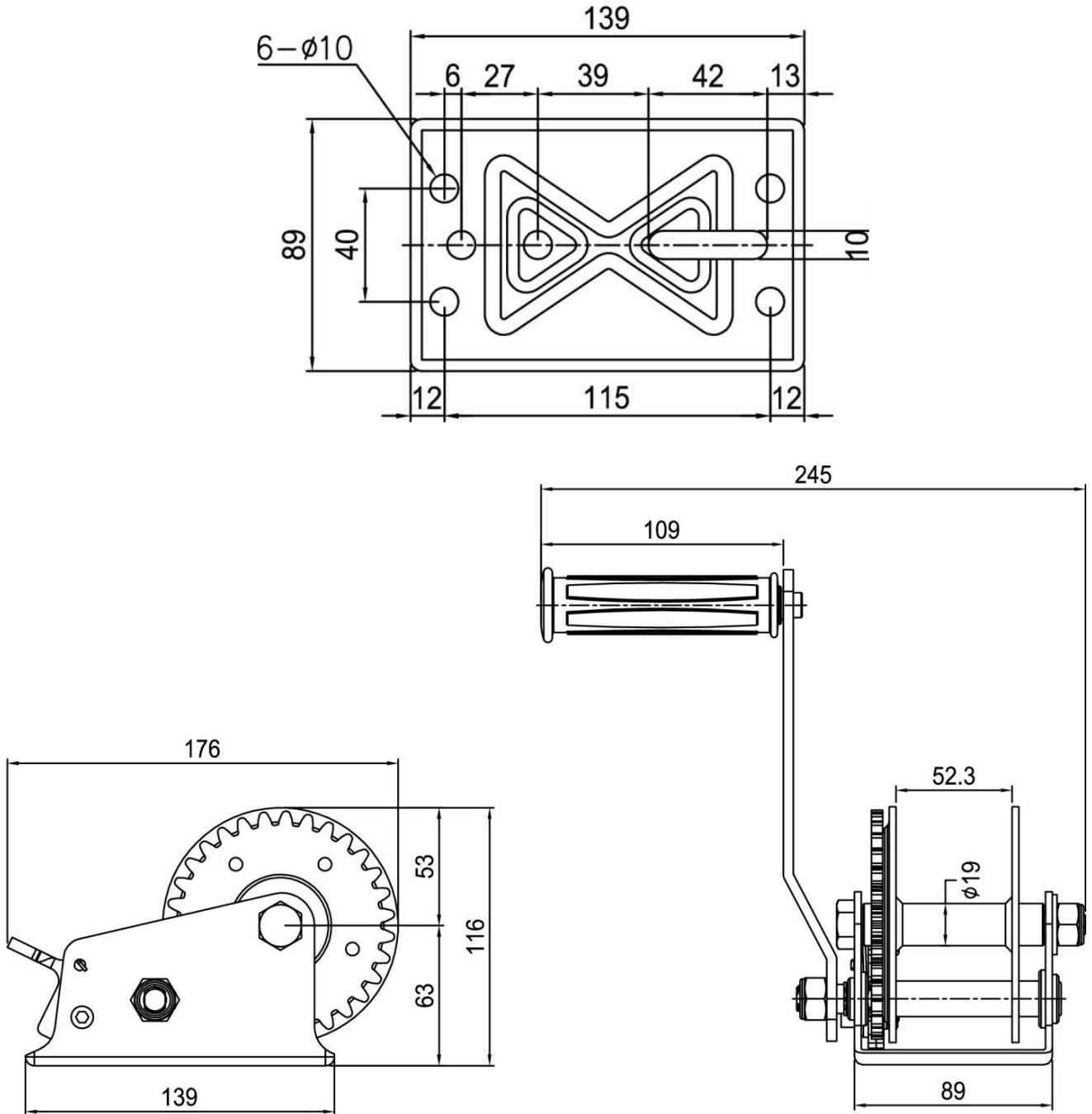


HW-2000 (with loop)  
HW-1200

Our innovation, your safety



HW-0600



Due to our policy of continual product development, dimensions, weights and specifications may change without prior notice.