

TECHNICAL DATA SHEET

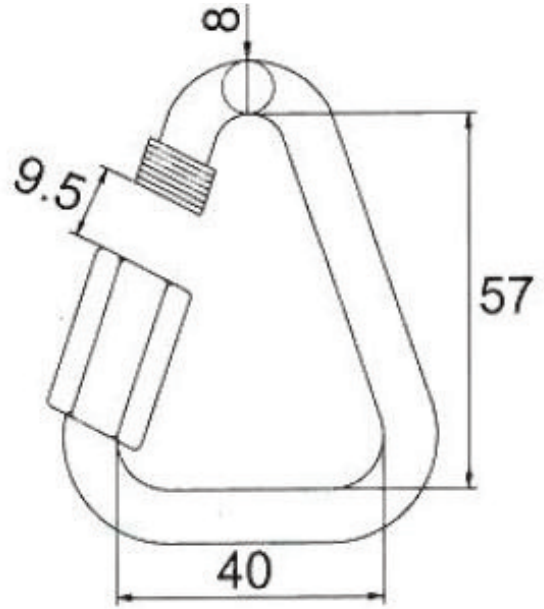
PPEH-16CS

TDS195



PPEH-16CS Technical Data Sheet

Checkmate PPEH-16CS
Steel Delta Quick Link.



All dimensions in mm



product features

- ▶ Minimum Breaking Strength: \blacktriangleleft 25kN \blacktriangleright 10kN
- ▶ Screw Lock
- ▶ 9.5mm opening

principal materials

- ▶ Silver Zinc Plated Steel

standards

- ▶ EN 362:2002
- ▶ EN 12275

ordering information

Part No.	Description	Weight
▶ PPEH-16CS	Steel Delta Quick Link	87g

The information on this data sheet is for marketing purposes only and Checkmate reserves the right to amend at any time without notice. The information must not be relied on for use, which must be obtained from the product marking and user information.

TDS195

ISSUE 02

