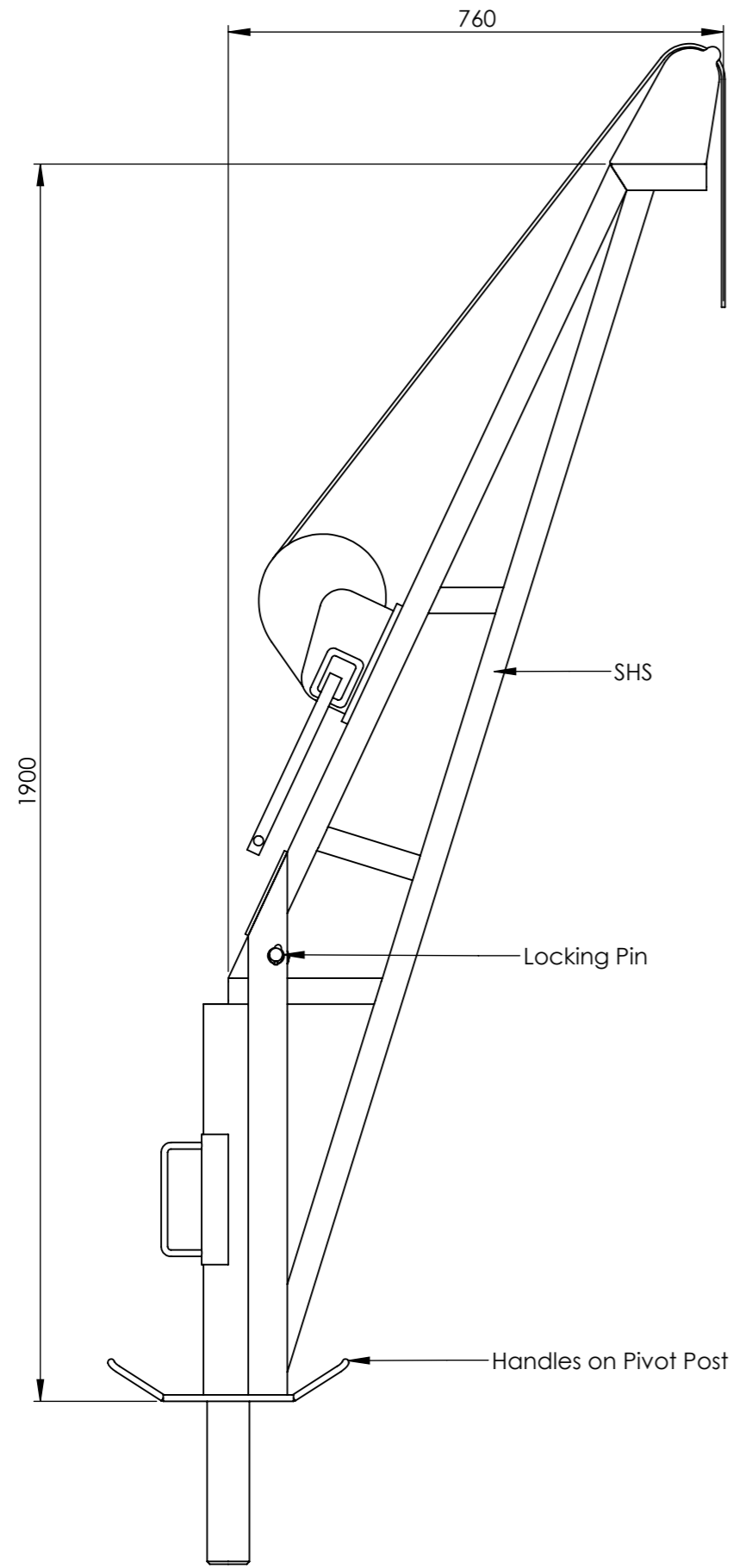


"500kg WLL 760mm Reach Winched Lean Over Davit "

Finish Ref; Galvanised



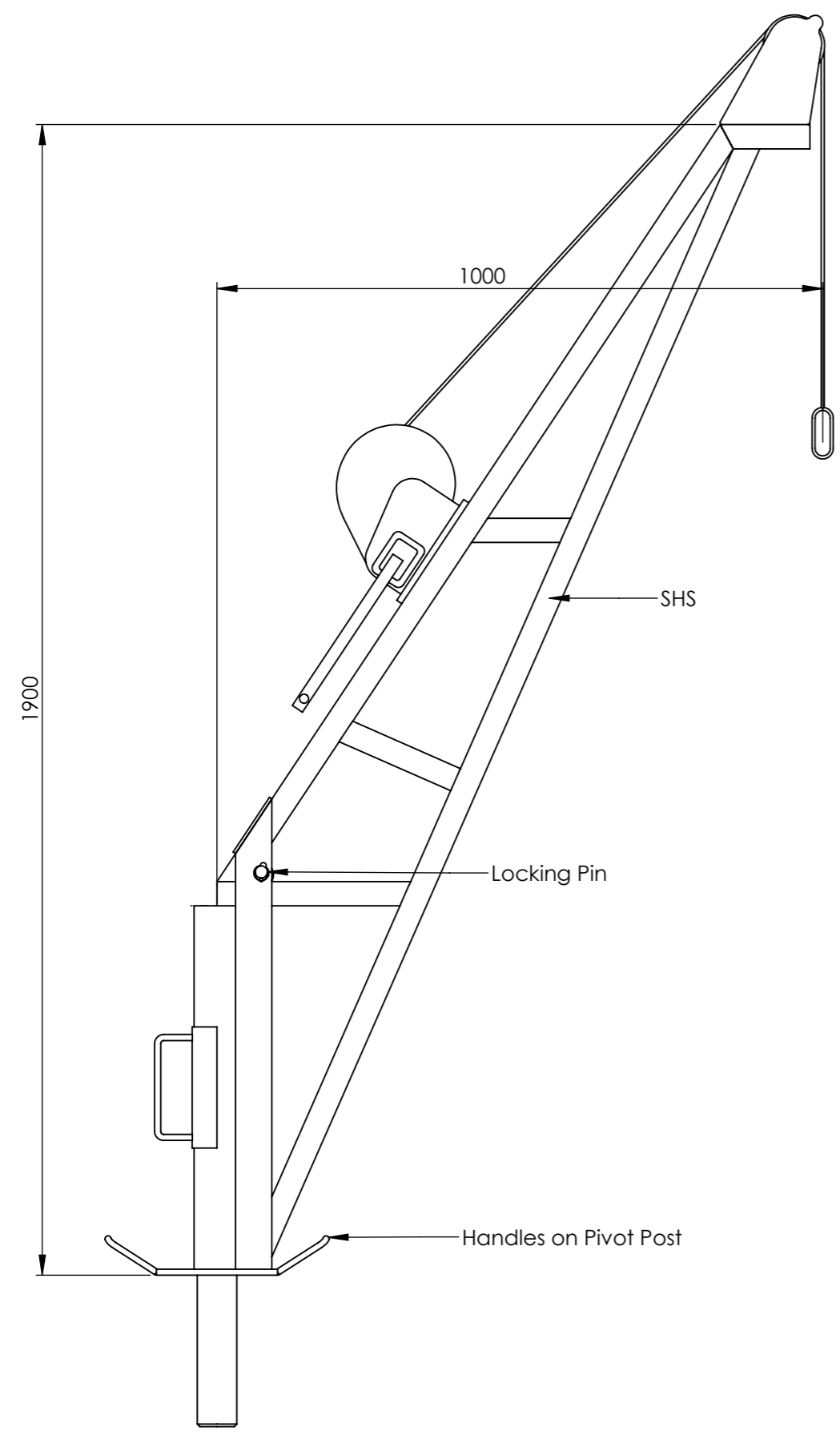
Front Elevation



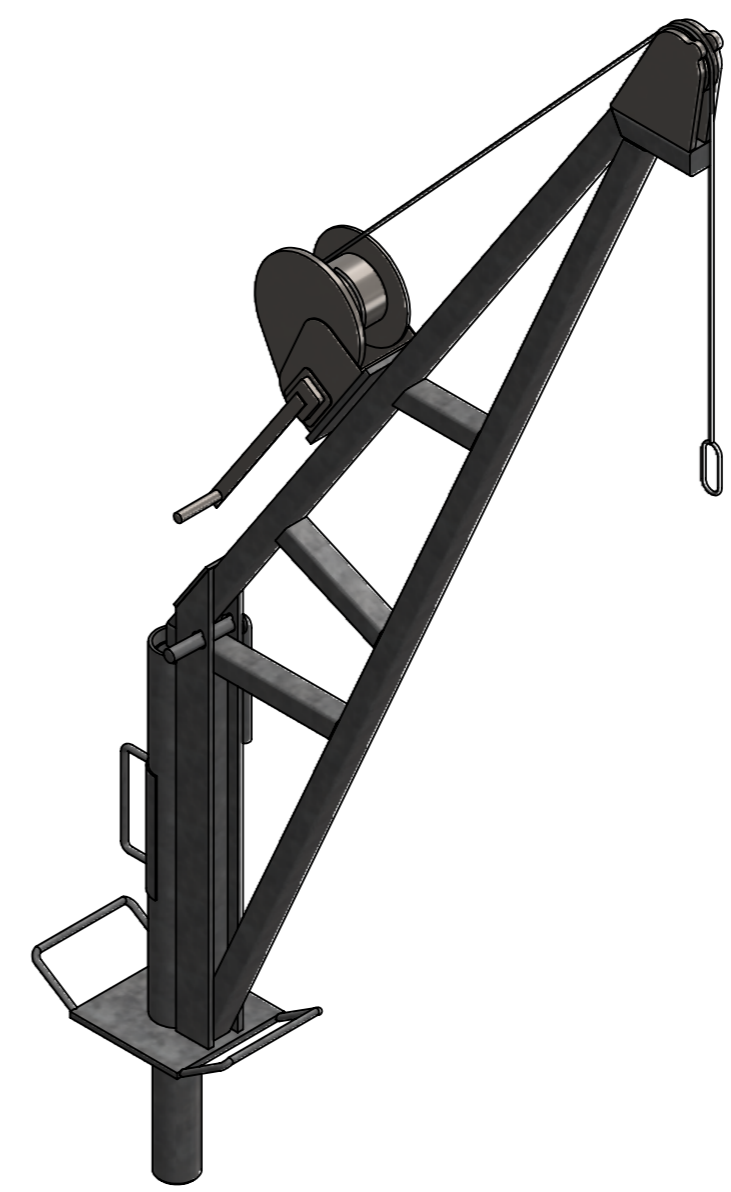
Isometric View

"500kg WLL 1000mm Reach Winched Lean Over Davit "

Finish Ref; Galvanised



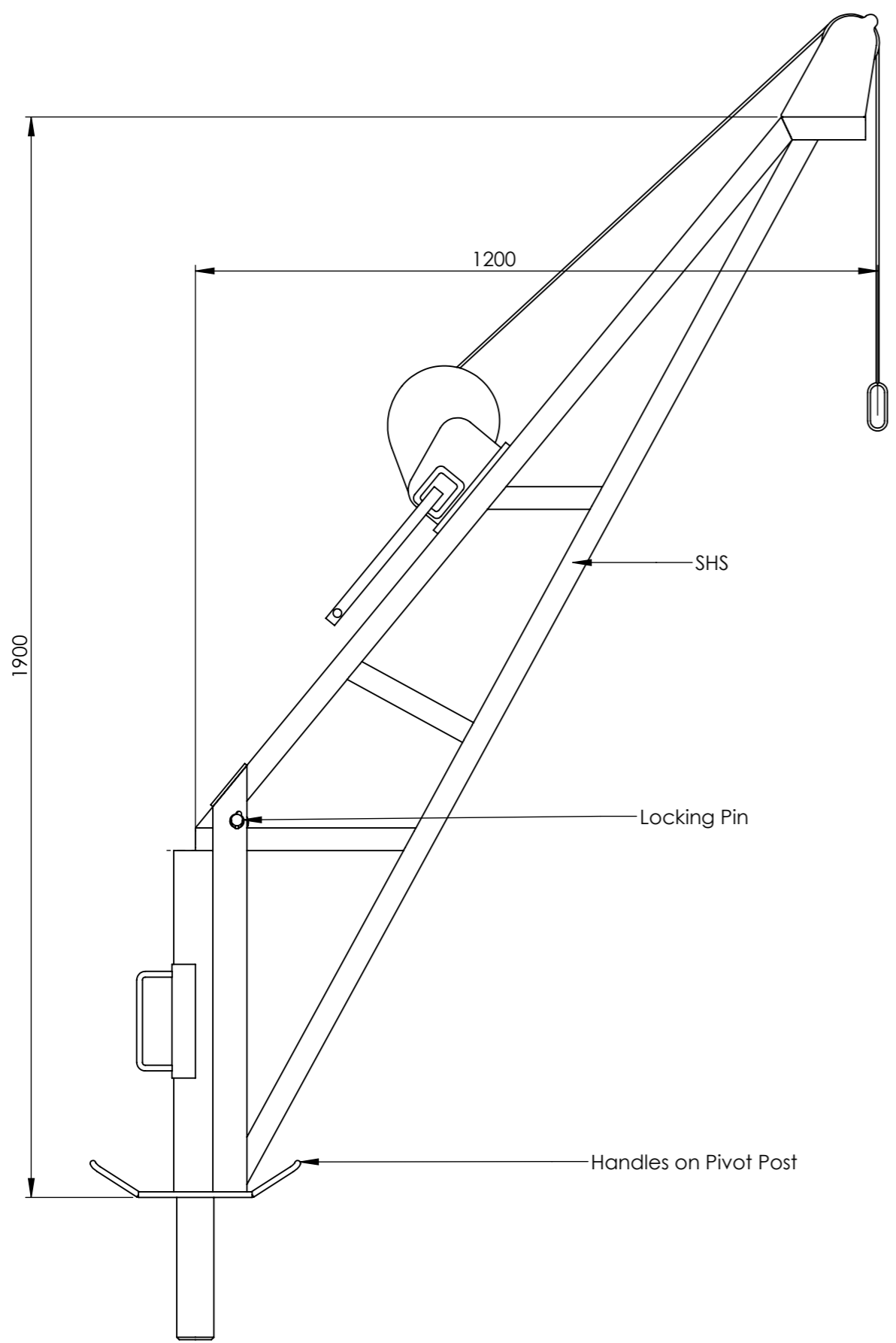
Front Elevation



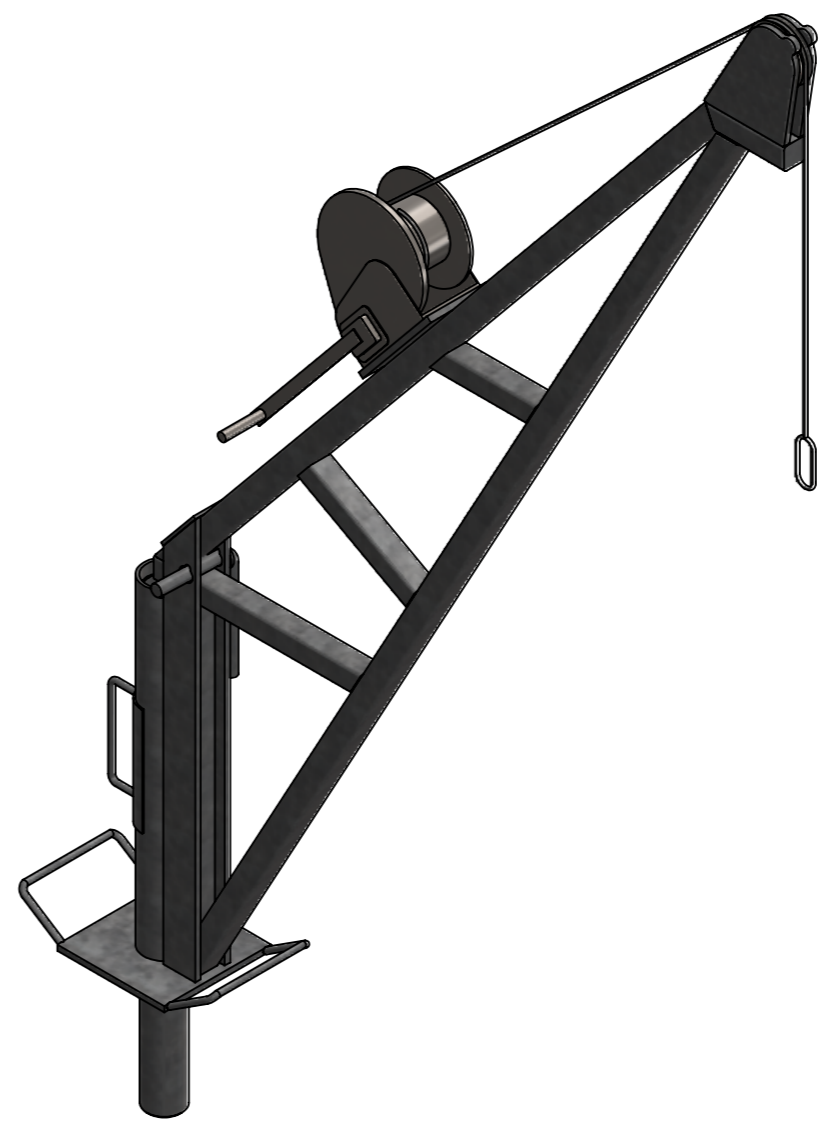
Isometric View

"500kg WLL 1200mm Reach Winched Lean Over Davit"

Finish Ref; Galvanised



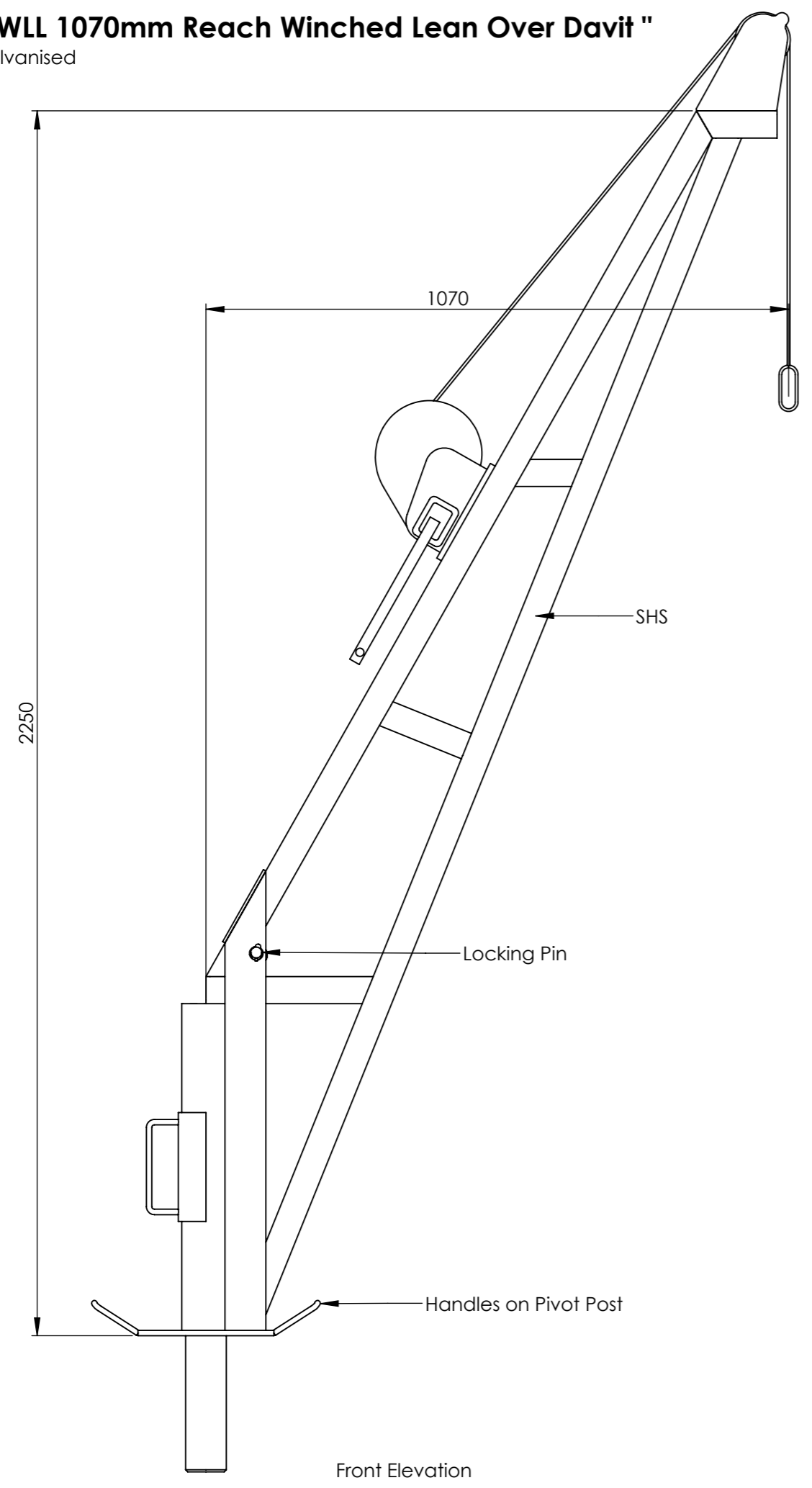
Front Elevation



Isometric View

"1000KG WLL 1070mm Reach Winched Lean Over Davit "

Finish Ref; Galvanised



Isometric View

Front Elevation