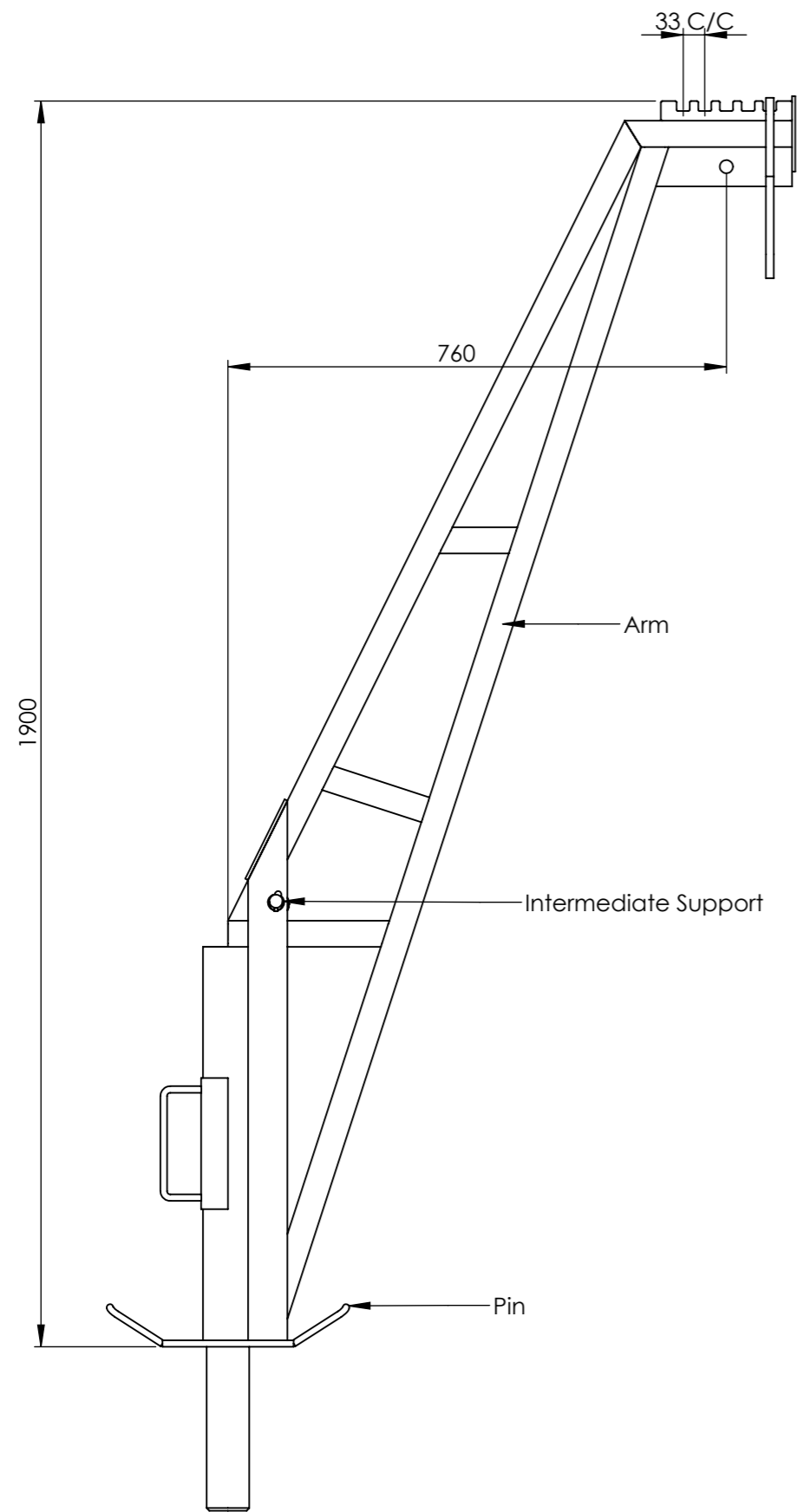


### "500kg WLL 760mm Reach Lean Over Davit"

Finish Ref; Galvanised

Arm - 22kg, Intermediate Support - 24kg, Pin - 25kg



Front Elevation

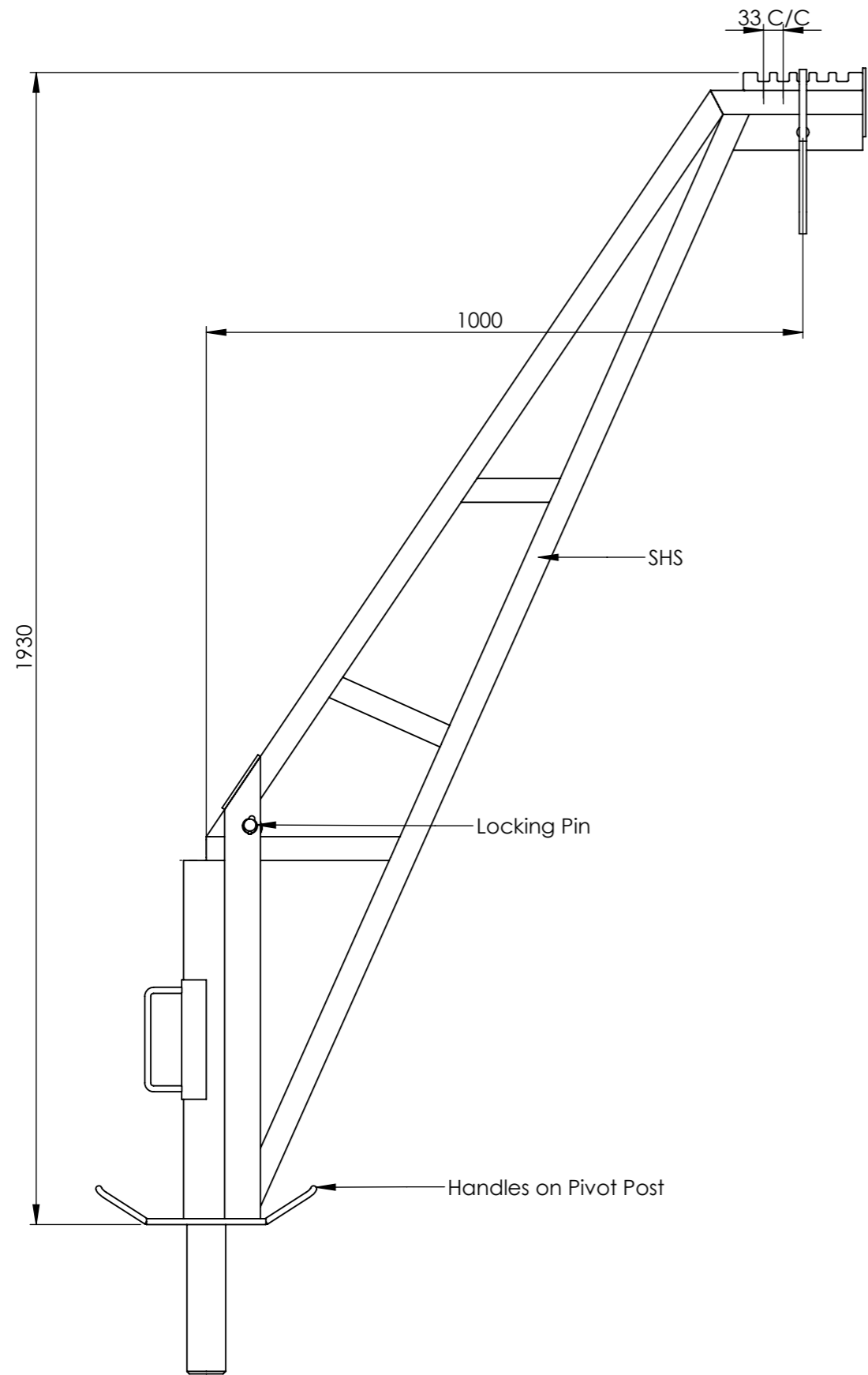


Isometric View

### "500KG WLL 1000mm Reach Lean Over Davit"

Finish Ref; Galvanised

Arm - 23kg, Intermediate Support - 24kg, Pin - 25kg



Front Elevation

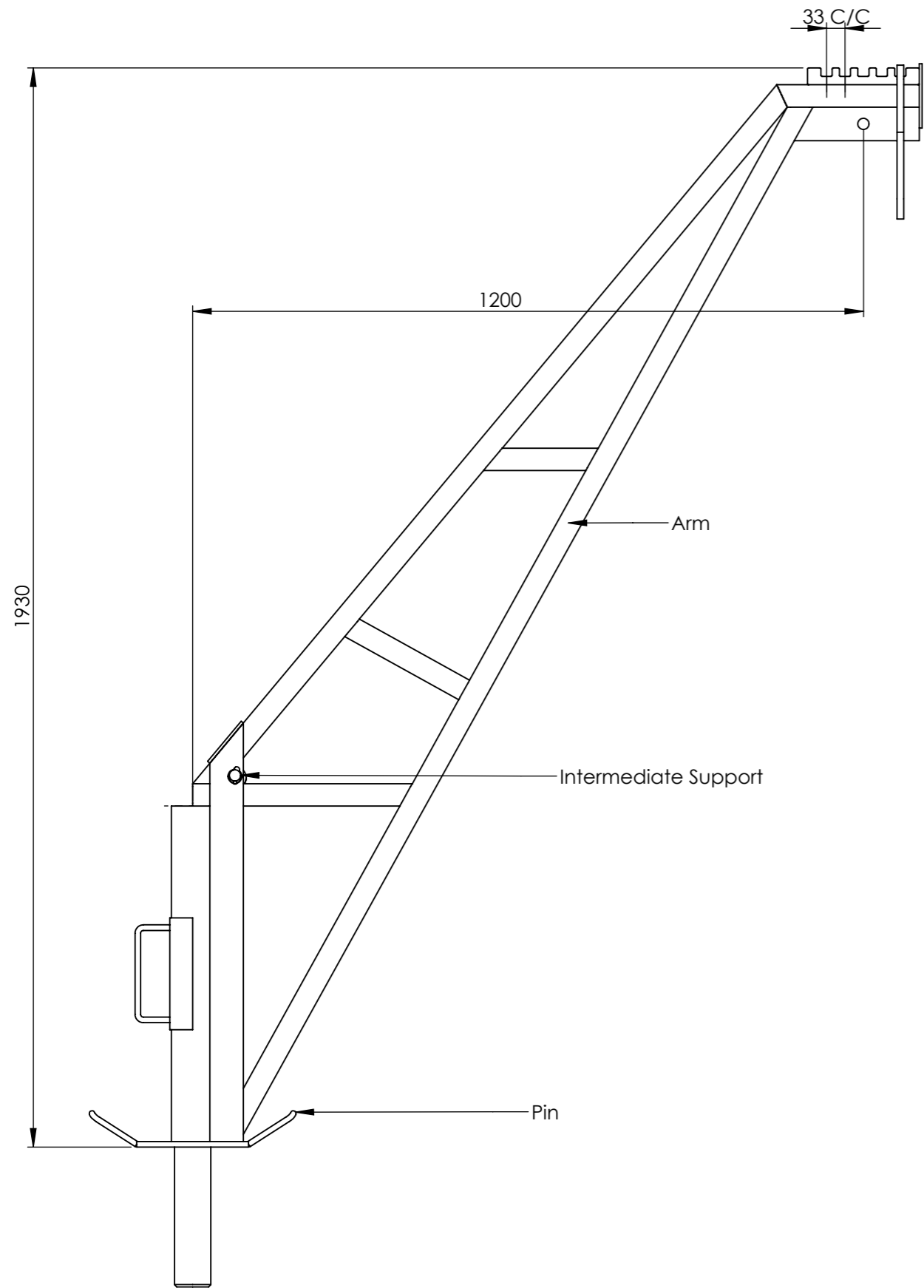


Isometric View

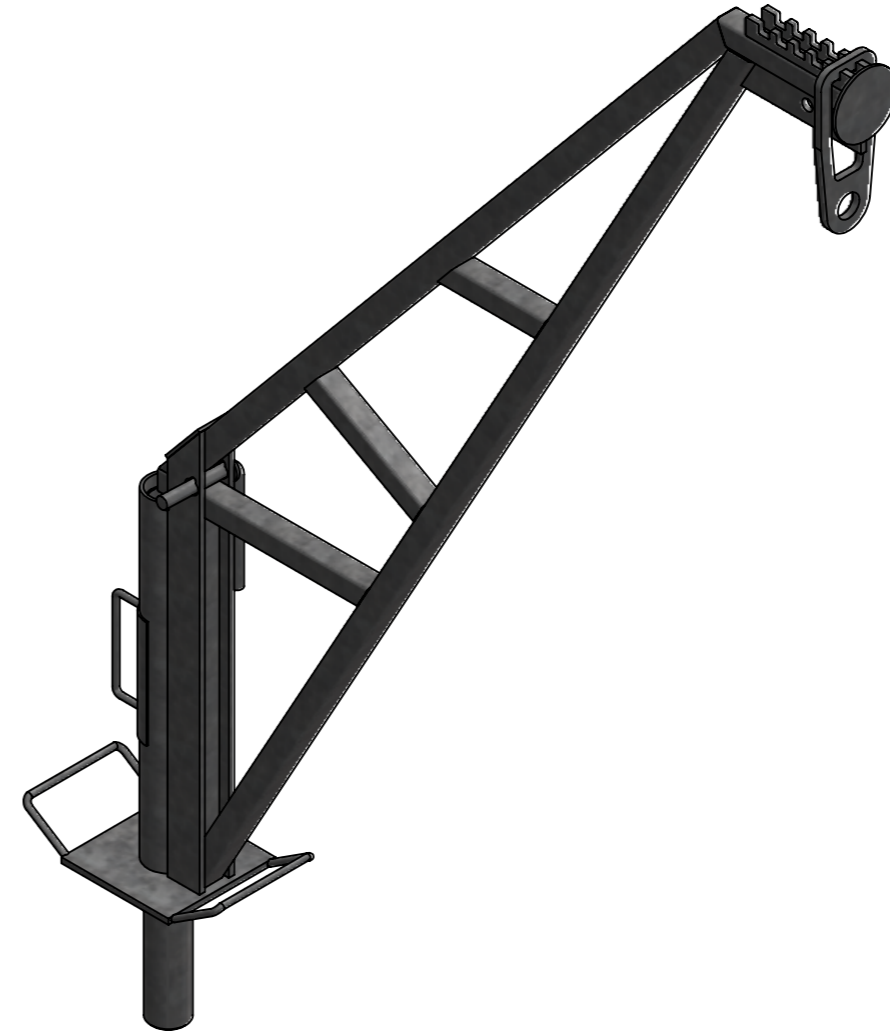
### "500KG WLL 1200mm Reach Lean Over Davit"

Finish Ref; Galvanised

Arm - 25kg, Intermediate Support - 24kg, Pin - 25kg



Front Elevation



Isometric View

# "1000kg WLL 1070mm Reach Lean Over Davit"

Finish Ref; Galvanised

Arm - 25kg, Intermediate Section - 24kg, Pin - 25kg

