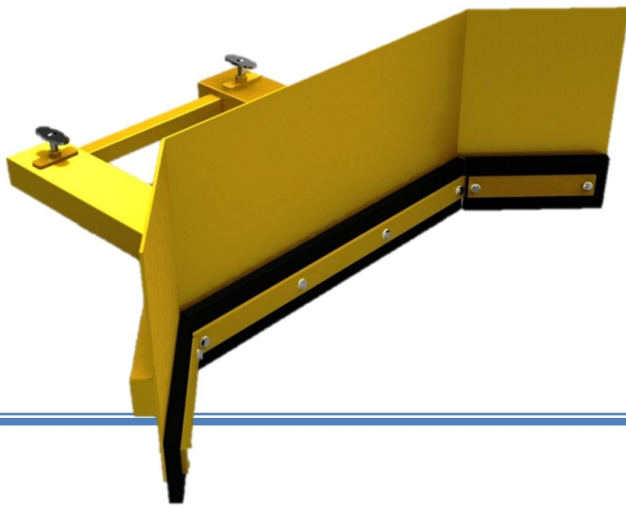
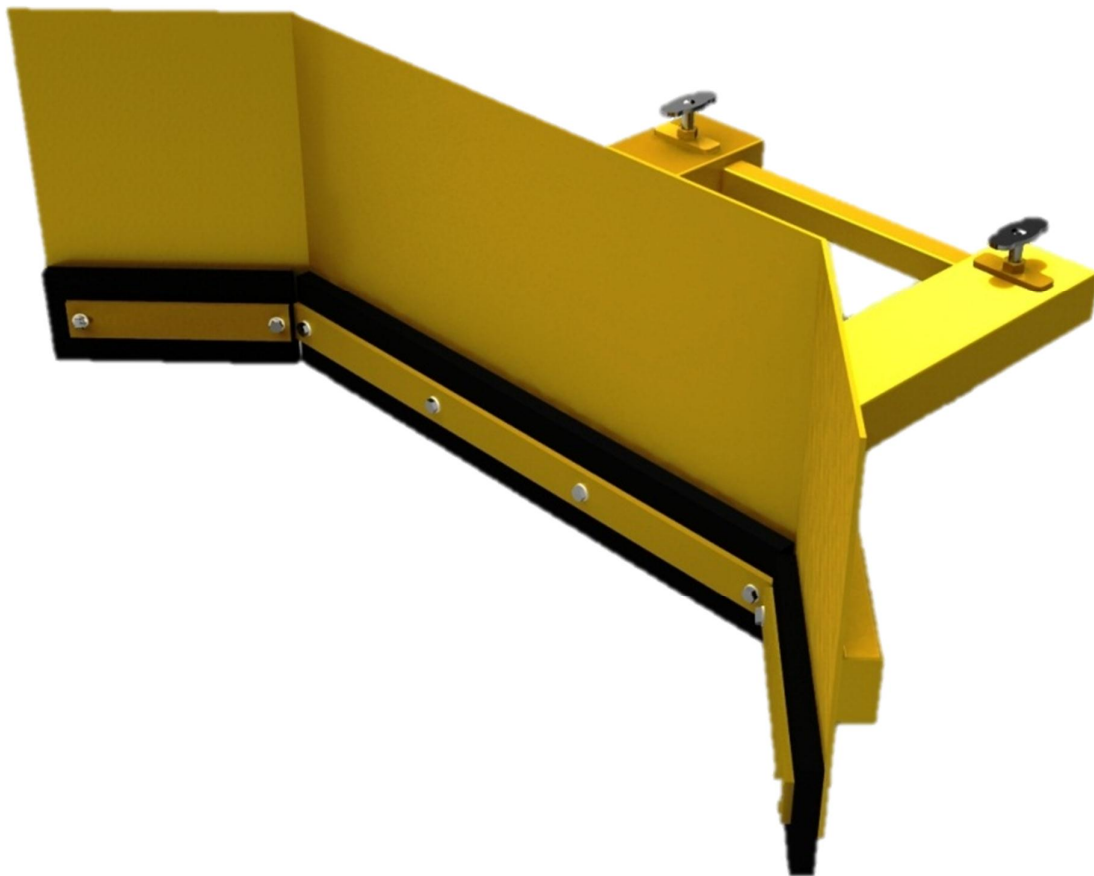


## Fork Mounted Yard Scraper (FMYS)



The forklift yard scraper is designed for pushing waste etc. to a point where it can be collected up. Angled ends to the forklift blade prevent rubbish from spilling out past the sides. Ideal for clearing yards, warehouse floors, metal reprocessing area, and foundry floors etc. Castors fitted as standard.



Model Ref	Width Cleared (mm)	Max Fork Size (mm)	Fork Spread (mm)	Weight (kg)
FMYS-1200	1200	140 X 50	780	125
FMYS-1500	1500	140 X 50	780	142
FMYS-1800	1800	140 X 50	780	170