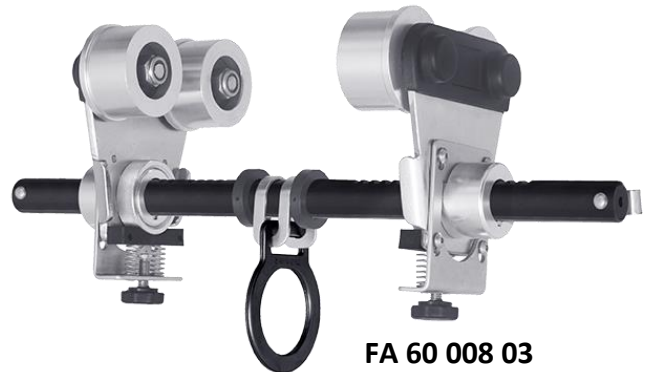


FA 60 008 04



FA 60 008 03

HS CODE
7616999099
CARTON SIZE / PCS.
60 x 40 x 24 cm / 2
AET (UE) N° 2777/10796-02/E01-01
MODULE D FI14/14003.02
ACKNOWLEDGEMENT OF RECEIPT N°3266/1/2020 (ATEX)





REF.	FA 60 008 03	FA 60 008 04
CE	EN 795:2012 Type B	
	x1	
MAT.	ALU / STEEL / INOX	ALU / INOX
R (kN) / MBS (kN)	12 kN / 23 kN	
	--- 80 mm → 250 mm	
+	ATEX Directive 2014/34/UE (II 2 G Exh IIC T6 Gb)	MAX. DIELECTRIC RESISTANCE = 30 kV
	3.90 KG	3.70 KG



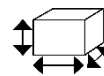
Number of users

R (kN) / MBS (kN)

Static strength / Minimum Breaking Strength



Dielectric protection



Fasteners to use / Dimensions of the receiving structure