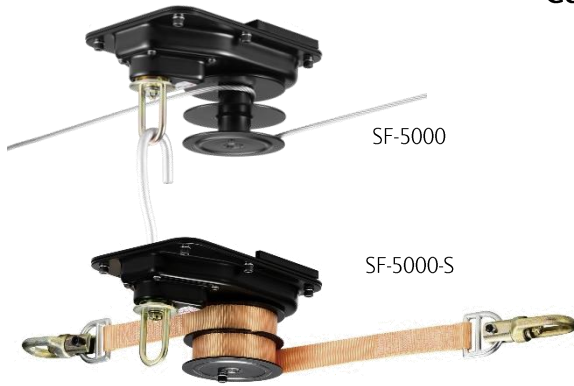


Tiger Ceiling Mounted Winches

Ceiling Mounted Winch SF-5000 (wire)/SF-5000-S (strap)



- 5000lb/2270kg capacity
- Split reel, which allows for operation of two cables
- Loop drive allows the winch to be mounted out of reach and operated with an extension pole fitted to engage the loop
- Various loop sizes available
- Positive load-actuated brake can hold the load in any position
- Gears and brake are fully covered to prevent dust, dirt and rain contamination
- Very low operator effort is required for easy operation

Electric Ceiling Mounted Winch SF-5000E (wire)/SF-5000E-S (strap)



- 5000lb/2270kg capacity
- Compact and light weight
- Split reel, which allows for operation of two cables
- Completely sealed to prevent dust, dirt and rain contamination
- Brake motor for quick and safe stopping
- Very low operator effort is required for easy operation
- Powerful and smooth
- Can be operated manually during power failure (option)

Heavy Duty Ceiling Mounted Worm Gear Winch WL-4600



- 4600lb/2090kg capacity
- Self-braking
- Available in regular or split reel, which allows for operation of two line or cables for greater versatility
- Completely sealed to prevent dust, dirt and rain contamination

General Purpose Hand Winch HW-2000 (can be ceiling mounted)



- 2000lb/900kg capacity
- Available in regular or split reel, which allows for operation of two line or cables for greater versatility
- Available in handle or loop drive models
- Can be ceiling mounted with loop drive

Temperature Range:

Electric model - SF-5000E - operating temperature -10°C to +50°C (temperature range of -40°C to +80°C available as an option). Other models - operating temperature -40°C to +80°C (temperature range of -60°C to +80°C available as an option)

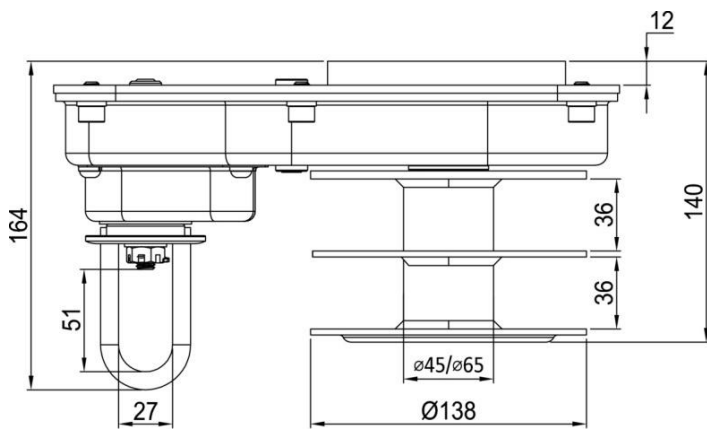
Certification:

Each unit comes fully certified with a test certificate or an EC Declaration of Conformity stating compliance with the essential health and safety requirements of the Machinery Directive 2006/42/EC.

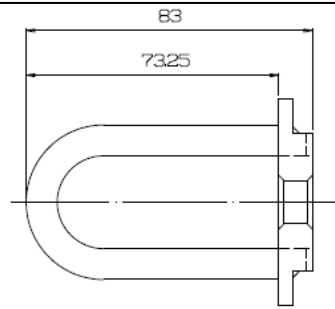
Technical Data

Product Code	Split Reel	Strap/Wire	Pulling Capacity (lbs/kg)	Lifting capacity (first layer)	Lifting capacity (last layer)	Hand Force Required (kg)	Gear Ratio	Hub Diameter (mm)	Handle Length (mm)	Unit Weight (with handle) (kg)	Unit Weight (with loop) (kg)	Cable Diameter (mm/inch)	Cable Storage Cap. (m)
SF-5000	Yes	Wire	5000/2270	5000/2270	2670/1210	4	90.24:1	ø65	--	--	9.3	ø6.4/ø1/4	11*2
SF-5000-S	Yes	Strap	5000/2270	5000/2270	2670/1210	4	90.24:1	ø45	--	--	9.3	--	4.5*2
SF-5000E	Yes	Wire	5000/2270	5000/2270	2670/1210	--	90.24:1	ø65	--	--	23.14	ø6.4/ø1/4	11*2
SF-5000E-S	Yes	Strap	5000/2270	5000/2270	2670/1210	--	90.24:1	ø45	--	--	23.14	--	4.5*2
WL-4600	Yes	Wire	4600/2090	4600/2090	2285/1035	6.0	65:1	ø65	--	--	12.5	ø6.4/ø1/4	11*2
HW-2000		Wire	1000/450	N/A	N/A	2.25	41:1	ø48	190	5.5	5.2	ø4.8/ø3/16	17.6
HW-2000-S	Yes	Wire	2000/900	N/A	N/A	4.5	41:1	ø48	190	5.7	5.4	ø4.8/ø3/16	8.8 per side

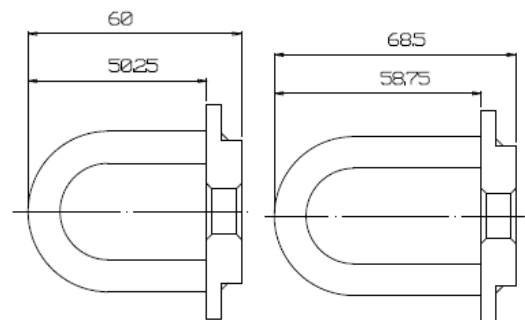
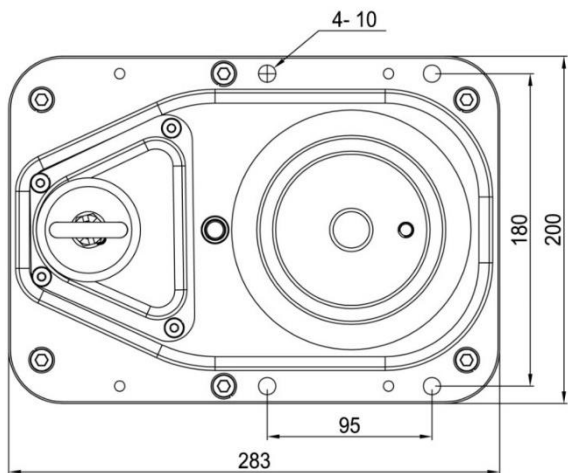
For winches with split reels, each side has half the capacity.



Drum diameter:
SF-5000 (for wire) = Ø65mm
SF-5000-S (for strap) = Ø45mm



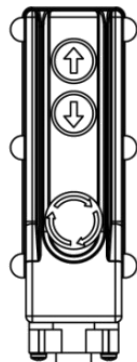
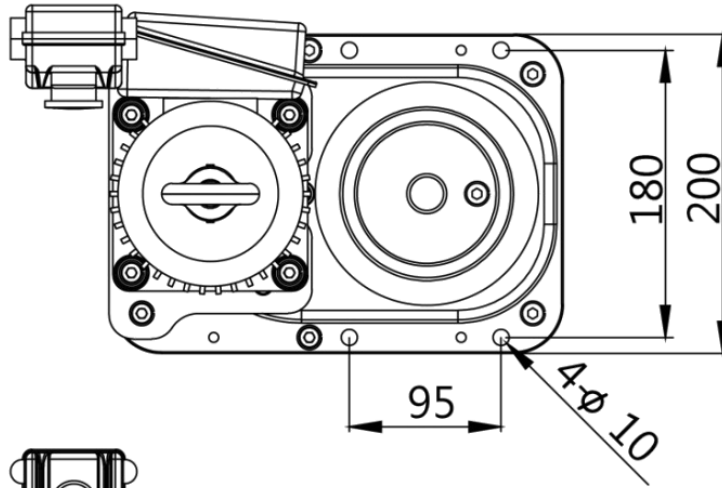
standard loop dimensions



Alternative loop dimensions

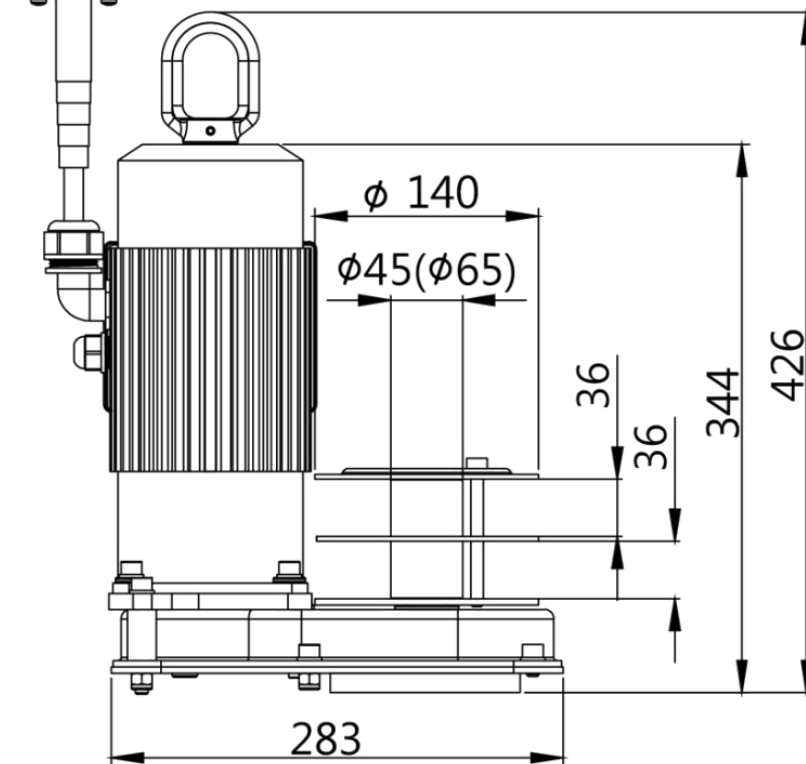
SF-5000 (wire)/SF-5000-S (strap)

Our innovation, your safety

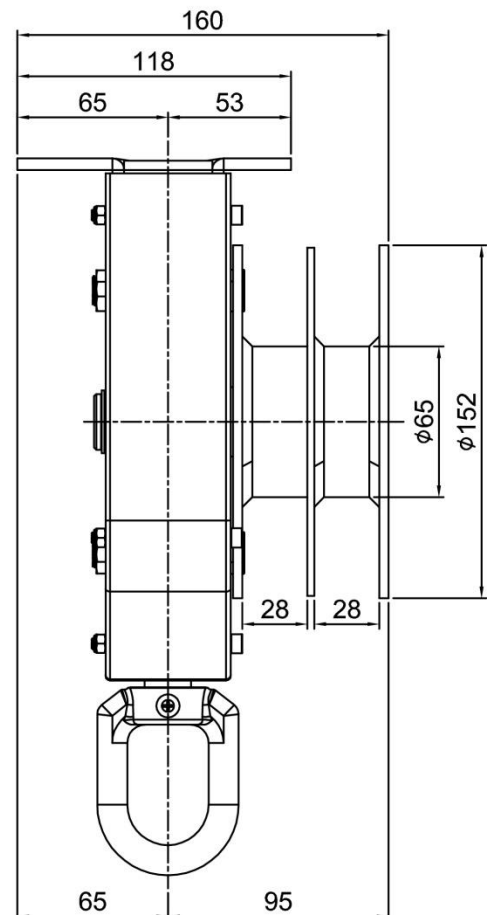
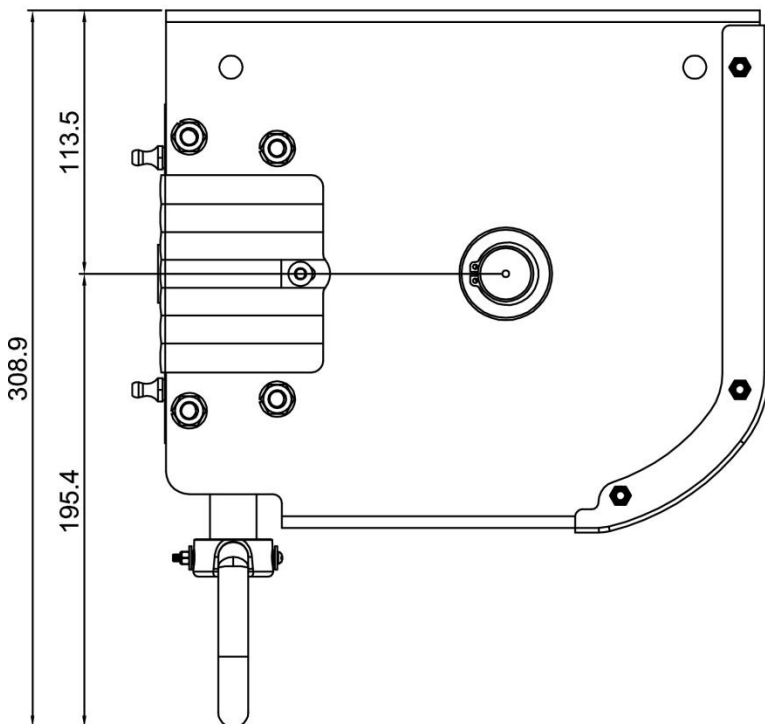
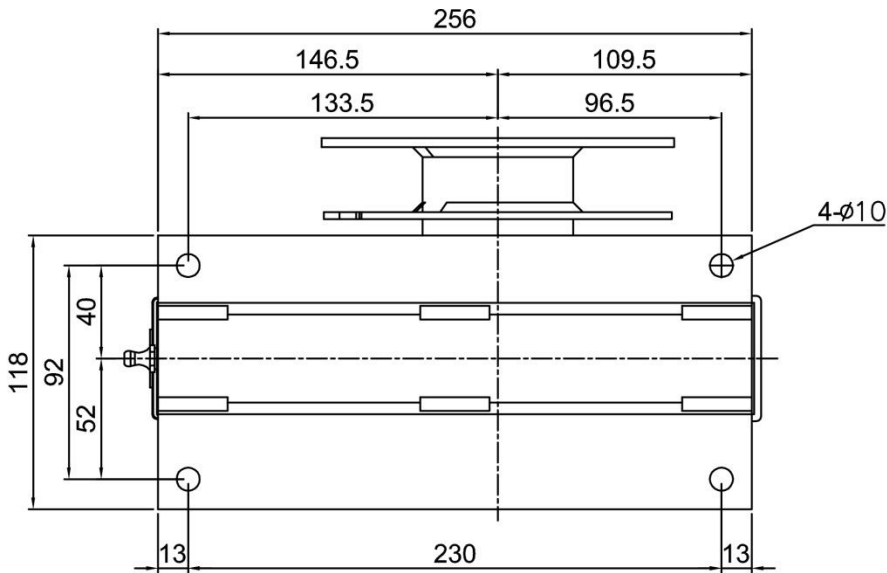


Drum diameter:
 SF-5000E (for wire) = Ø65mm
 SF-5000E-S (for strap) = Ø45mm

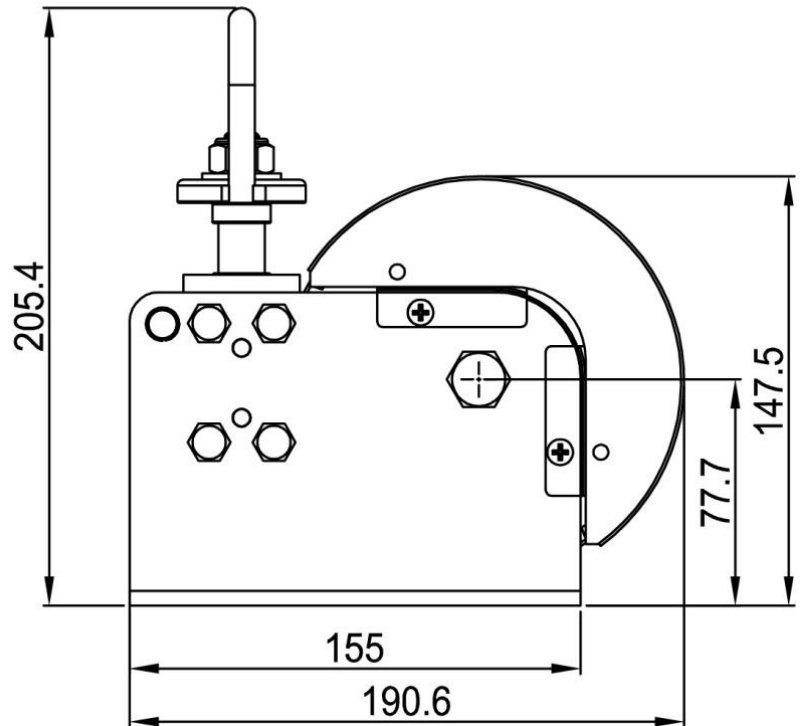
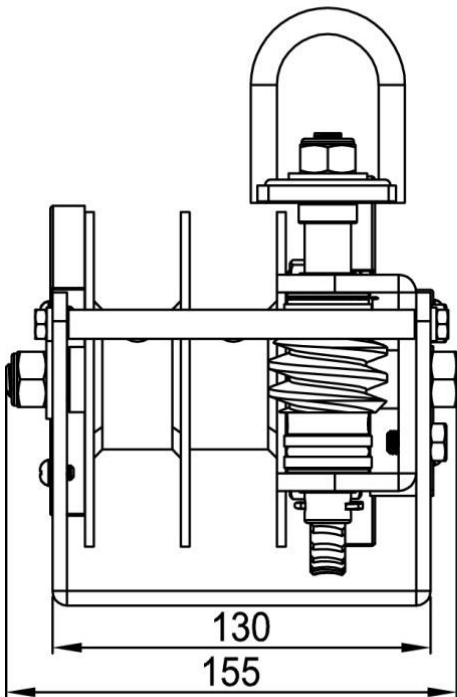
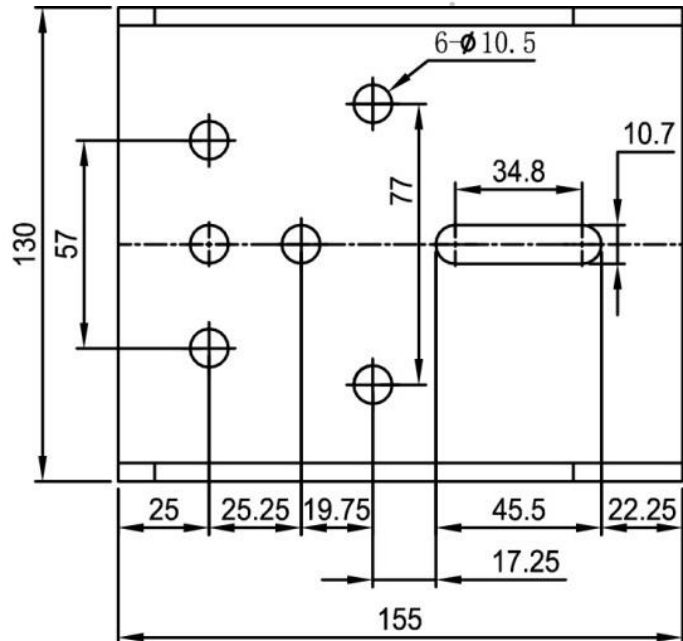
Other loop sizes available (see previous page).



SF-5000E (wire)/SF-5000E-S (strap)



WL-4600



HW-2000 (with loop)