

RH HORIZONTAL PLATE CLAMPS

** SOLD IN PAIRS*

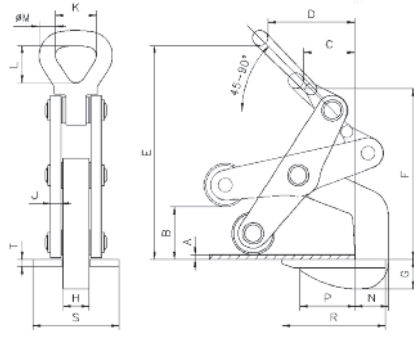


Horizontal plate clamps

Working load limit (WLL) 1500 - 5000kg

This range of horizontal plate clamps have been designed to be used in pairs, for the horizontal transportation of individual, and bundled plate. The clamp is fitted with a steel roller to reduce any potential marking of the plate.

These clamps are sold, and must be used in pairs. They should always be used with a two-legged chain sling (not supplied).



Model	WLL kg*	Jaw capacity mm	A mm	B mm	C mm	D mm	E mm	F mm	G mm	H mm	J mm	K mm	L mm	M mm	N mm	P mm	R mm	S mm	T mm	Weight kg*
RH1500	1500	5 - 60	5	60	60	105	250	200	22	30	12	50	73	18	36	65	120	100	10	12
RH2500	2500	10 - 70	10	70	75	130	135	275	38	30	12	64	92	25	58	77	150	100	10	21
RH3500	3500	10 - 80	10	80	90	162	345	292	48	30	15	64	92	25	65	105	185	100	10	28
RH5000	5000	10 - 102	10	102	110	170	425	345	45	45	20	89	130	35	80	120	210	120	12	72

**Per pair.*

ACH 'ADJUSTABLE' HORIZONTAL PLATE CLAMPS



**Chain slings and shackle NOT included*

The ACH horizontal plate clamps offer superb flexibility because of the large adjustable jaw opening. The jaw is adjusted using a simple ratchet mechanism.

These clamps are to be used in pairs and are especially suited to the transportation of large plate bundles.



**Use spreader beams for larger plates*

Model	WLL kg*	Jaw capacity mm	Weight kg*
ACH 1.3	1300	0 - 150	14
ACH 1.3L	1300	0 - 250	17
ACH 3.3	3300	0 - 150	25
ACH 3.3L	3300	0 - 250	28
ACH 6.6	6650	0 - 150	60
ACH 6.6L	6650	0 - 250	64
ACH 10.0	10000	50 - 300	90

**Per pair.*

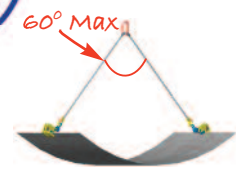
THK 'THIN SHEET' HORIZONTAL PLATE CLAMPS



**Shackle NOT included*

The THK horizontal plate clamps share the same basic design features as the CH range of clamps but have a reversed tooth jaw design. This safety feature is designed for use with thin sheets which may have a tendency to deflect or sag or flex.

Suited to thin plate with a surface hardness less than 300 Brinell/32 Rockwell C.



**ideal for thin sheet*

Model	WLL kg*	Jaw capacity mm	Weight kg*
THK 750	40 - 750	0 - 25	3
THK 1500	75 - 1500	0 - 35	6
THK 3000	150 - 3000	0 - 35	11
THK 4500	250 - 4500	0 - 45	16
THK 6000	300 - 6000	0 - 60	23
THK 9000	450 - 9000	0 - 60	35

**Per pair.*