



Rail grab with safety lock WLL 1000 - 2000kg

The CR rail clamps are designed to lift single rails securely and safely.

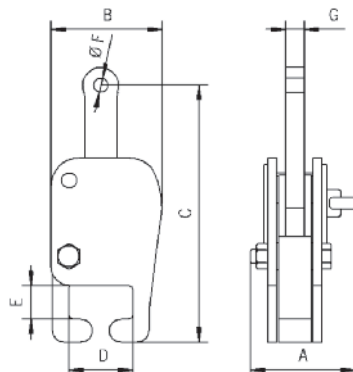
The clamps are designed to fit most types of rail section currently in use. The clamps have a narrow profile to enable attachment to an individual rail when rails are side by side.

The clamps are locked onto the rail-head via a lever operated spring mechanism. It is recommended to use clamps suspended from a lifting beam for long rail lengths.

Clamps can be supplied with a short length of chain and lifting eye as shown in the illustration. This MUST be specified at the time of order.



Typical application shot above showing a CR1000 in use with a Yale D85 Pul-lift and an 'Ironman' or right attached to YaleErgo 360 Ratchet Lever Hoist



Model	CR1000	CR2000
A, mm	144	144
B, mm	152	163
C, mm	350	350
D, mm	90	90
E, mm	46	46
Ø F, mm	20	20
G, mm	25	25

Model	Number of rails	WLL kg*	Weight kg*
CR1000	1	1000	13
CR2000	1	2000	15

*Per clamp.