

# BTG CONCRETE PIPE LIFTING CLAMP

**Working load limit (WLL) 1500 - 3000kg**

The BTG concrete pipe lifting clamps are sold in sets of three and they come complete with chain slings (the working load limits shown are based on a set of three clamps).

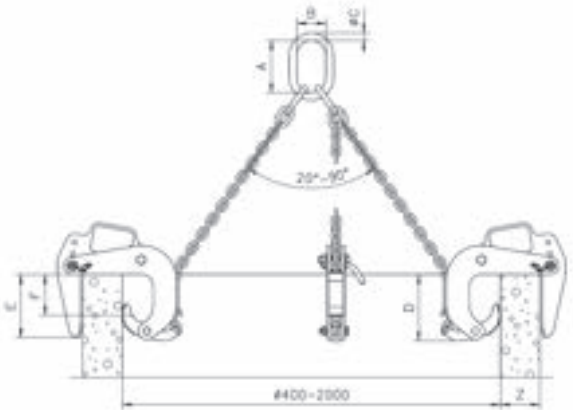
They are designed for the vertical transportation of concrete pipe sections with a diameter of up to 2000mm.

The jaw capacity is designed for pipe thickness of 40 - 220mm.

Attachment and removal of the clamps from the pipes is extremely easy due to the simple and straightforward design.

**Features:**

- solid construction.
- Factor of safety 4 : 1
- simple and safe handling.
- large jaw capacity.
- for heavy duty use.
- lightweight design.
- service friendly.
- For concrete according to DIN4034.



**Workmanship and parts**

These plate clamps are service-friendly, making it easy to exchange parts, which are readily available. Clamp repairs are available through the factory, or can be done by a competent person.

Model	WLL kg*	Jaw (Z) capacity mm	Mouth depth (E) mm	Pressure line (F) mm	A mm	B mm	C mm	D mm	Weight kg**
BTG1500/3	1500	40 - 120	165	100	135	75	18	180	34
BTG3000/3	3000	50 - 180	245	175	180	100	26	310	60

**\*Per set of three.**

**\*\*Weight per set of three c/w chains.**