

Pneumatic chain hoists with hook Capacities: 125 - 980kg

Pneumatic chain hoists are characterised by high durability in a great number of industrial applications. The robust but light weight housing allows easy transportation.

Features include:

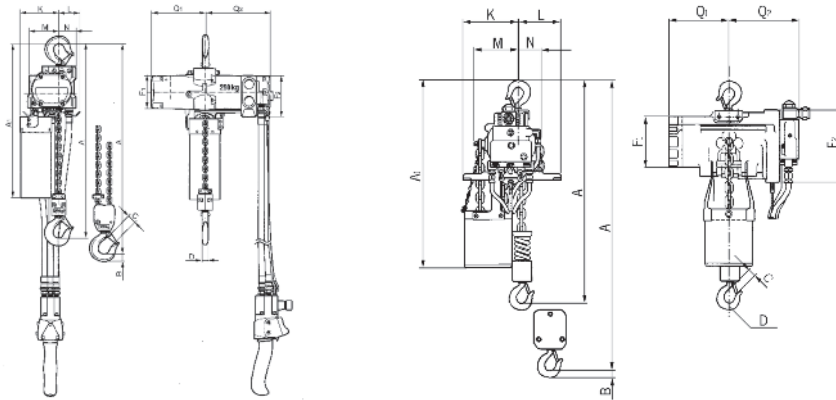
- Designed for operating pressures of 5 to 7 bar.
- Rotating piston motor with 100 % duty rating and an unlimited number of starts for continuous operation.
- Integrated limit switches for highest and lowest hook position as standard.
- Self-adjusting automatic disc brake, maintenance-free.
- Extremely sensitive control with emergency-stop for a precise positioning of the load.
- Air release for brake as standard for models CPA 2-31, CPA 5-17 and CPA 10-9

Options:

- Pressure regulator, manometer, lubricator and support.
- ATEX basic version available on request.
- Chain container available on request.

Applications:

Automobile and aircraft industries, shipyards, on ships and docks, foundries, on/offshore, paint factories, paint shops, refineries, oil depots, galvanizing, printing, textile, food industries, pulp, paper, cement mills, glass, ceramic industries, wood working industries, chemical industries, heat treatment and power plants etc.



ATEX (options)
BASIC II 3 G Ex h IIA T4 Gc
BASIC II 3 D Ex h IIIA T135° Dc

! Compressed air supply must be filtered & lubricated to ensure faultless operation.

| Model | Capacity (WLL) kg | Technical specifications | | | | | | | | | | | | |
|----------|----------------------|--------------------------|-------|------|------|------|-------|-------|------|------|------|------|-------|-------|
| | | A mm | A1 mm | B mm | C mm | D mm | F1 mm | F2 mm | K mm | L mm | M mm | N mm | Q1 mm | Q2 mm |
| CPA 1-13 | 125 | 292 | 410 | 21 | 20 | 16 | 90 | 120 | 103 | 57 | 120 | 50 | 142 | 183 |
| CPA 2-10 | 250 | 292 | 410 | 21 | 20 | 16 | 90 | 120 | 103 | 57 | 120 | 50 | 142 | 183 |
| CPA 5-5 | 500 | 324 | 410 | 14 | 24 | 14 | 90 | 120 | 103 | 57 | 120 | 50 | 142 | 183 |
| CPA 10-9 | 980 | 457 | 508 | 27 | 28 | 28 | 130 | 180 | 165 | 83 | 135 | 25 | 162 | 181 |

| Model | Capacity (WLL) kg | Falls of load chain | Lift speed with rated load m/min* | Lift speed without load m/min* | Lowering speed with rated load m/min* | Air consumption rated load mm* | Hoist motor kW | Weight @ 3mtr HOL kg |
|----------|----------------------|---------------------|--------------------------------------|-----------------------------------|--|-----------------------------------|-------------------|-------------------------|
| CPA 1-13 | 125 | 1 | 13.1 | 17.1 | 11.3 | 0.9 | 0.4 | 15.4 |
| CPA 2-10 | 250 | 1 | 9.8 | 17.1 | 13.7 | 0.9 | 0.4 | 15.4 |
| CPA 5-5 | 500 | 2 | 4.6 | 7.9 | 6.7 | 0.9 | 0.4 | 17.2 |
| CPA 10-9 | 980 | 2 | 8.5 | 16.2 | 14.9 | 1.27 | 1.33 | 27.7 |

*Values for 6.3 bar (flow pressure) and 2mtr control drop. Speeds will be reduced in case of longer control length. Hose length max. 12mtr. Model CPA 1-13, CPA 2-10 & CPA 5-5 hose length maximum 12mtr. Model CPA 10-9 hose length maximum 20mtr.

*1/2 inch BSP air filter, regulator, and lubricator N4300006148

**Additional heights of lift are sold as complete metres only.

Pneumatic chain hoists with hook or integrated trolleys Capacities: 2000 - 10000kg

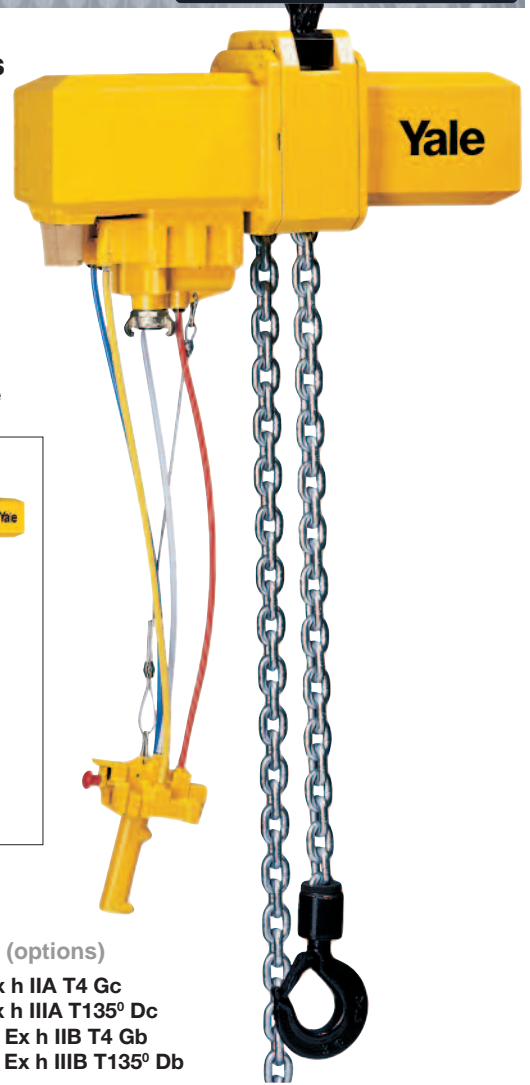
The conception is in accordance with the design of the model CPE. With 100% duty rating and an unlimited number of starts the model CPA is suitable for heavy duty applications. It is insusceptible to contamination, humidity and aggressive mediums from the outside. The hoists are composed of three main components which makes service easy and inexpensive.

Features include:

- Designed for operating pressures of 4 to 6 bar.
- Robust rotating piston motor has an adjustable spring pressure brake that holds the load securely even in the event of an air supply failure.
- The standard oil bath lubricated planetary gearbox is particularly smooth running and enables a low overall height.
- High starting torque due to switching valves in the motor body.
- Low noise emission due to large dimension silencer.
- Sensitive control by means of 2 resp. 4 button pendant control with emergency-stop.
- Up to 3000kgs on single fall giving a low overall height.
- The 5-pocket load chain sheave, manufactured from wear resistant guarantee smooth and precise chain motion.
- Drop forged suspension and load hooks.

Options:

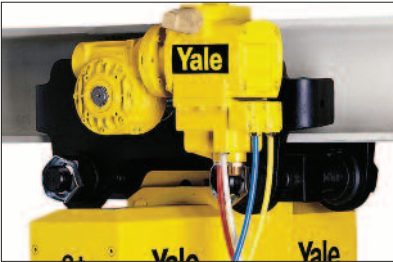
- Manual and pneumatic trolleys.
- Pull cord control.
- Stainless steel load chain.
- ATEX version available on request.
- Chain container available on request.



ATEX (options)

- BASIC II 3 G Ex h IIA T4 Gc
- BASIC II 3 D Ex h IIIA T135° Dc
- MEDIUM II 3 G Ex h IIB T4 Gb
- MEDIUM II 3 D Ex h IIIB T135° Db

! Compressed air supply must be filtered & lubricated to ensure smooth operation.



| Capacity kg | Size | Trolley specification | | | | |
|----------------|------|------------------------------|---------------------------------------|-----------------------------|---|----------------------------|
| | | Beam flange width b mm | Beam flange thickness t max. mm | Curve minimum radius mtr | Pneumatic trolley travel speed m/min | Pneumatic trolley motor kW |
| 2000 - 6000 | A | 98 - 180 | 27 | 2.0 | 18 | 0.55 |
| 2000 - 6000 | B | 180 - 300 | 27 | 1.8 | 18 | 0.55 |
| 7500 - 10000 | B | 125 - 310 | 40 | 1.8 | - | - |

| Model | Capacity (WLL) in number of chain falls | Lifting speed kgs / rated load m/min | Lifting speed with load m/min* | Lowering speed without rated load m/min* | Hoist motor with kW | Weight hook kg** |
|-----------|---|---|-----------------------------------|---|------------------------|---------------------|
| CPA 20-8 | 2000/1 | 7.4 | 9.9 | 11.0 | 2.6 | 121 |
| CPA 30-6 | 3000/1 | 6.0 | 9.9 | 13.0 | 3.2 | 121 |
| CPA 50-3 | 5000/2 | 3.4 | 5.0 | 6.0 | 3.0 | 140 |
| CPA 60-3 | 6000/2 | 3.0 | 5.0 | 6.5 | 3.2 | 140 |
| CPA 75-2 | 7500/3 | 2.0 | 3.3 | 4.3 | 3.2 | - |
| CPA 100-3 | 10000/4 | 3.4 | 5.0 | 6.0 | 2 x 3.0 | - |

*Values for 6 bar (flow pressure) air consumption with rated load 4.7 m³/min. CPA 100-2 : 9.4 m³/min. **3mtr HOL
• 3/4 inch BSP air filter, regulator, and lubricator N4300006149