



COMPACT & TRANSPORTABLE  
**UNIVERSALLY USABLE  
& USER FRIENDLY**  
LIGHTWEIGHT & CAN BE USED IN  
THE SMALLEST AREAS.



## Yale **UNOplus** Series A

### UNOplus-A ATEX Ratchet lever hoist

Capacity 750 - 6000 kg

The *UNOplus-Series A* ATEX ratchet lever hoist is the result of further technical development of the *UNOplus*, which has proven itself over many years.

The versatile tool for lifting, pulling and securing of loads is characterised by its compact design, robust stamped steel construction and the smoothly running free chaining device.

The further reduced weight optimizes operation, makes the application even more comfortable and the *UNOplus-Series A* ATEX to a convenient, versatile device.

#### Features

- Due to optimized gearing and improved bearings in the housing cover a minimum effort is required to operate the short hand lever.
- Automatic screw-and-disc type load brake with corrosion protected components.
- Standard free chaining device to quickly attach the load or to pull the chain through the hoist in both directions.
- Robust chain guide rollers eliminate fouling and jamming of chain on the load sheave.
- Robust chain end stop.
- Comfortable rubber grip provides for extra protection against slippage.
- Alloyed steel link chain with zinc-plated resp. yellow chromated finish, in accordance with national and international standards and regulations.
- Forged suspension and load hooks are made from non-aging, high tensile steel and fitted with robust safety latches.

#### INFO

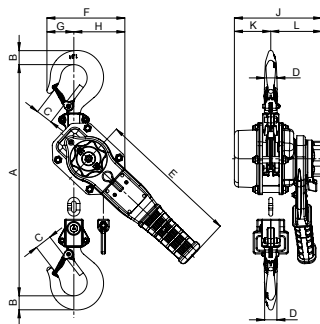
Yale hoists and trolleys are not designed for passenger elevation applications and must not be used for this purpose.

Technical data *UNOplus-A* ATEX BASIC II 3G Ex h IIA T4 Gc / II 3D Ex h IIIA T135 °C Dc / Mining I M2 Ex h Mb

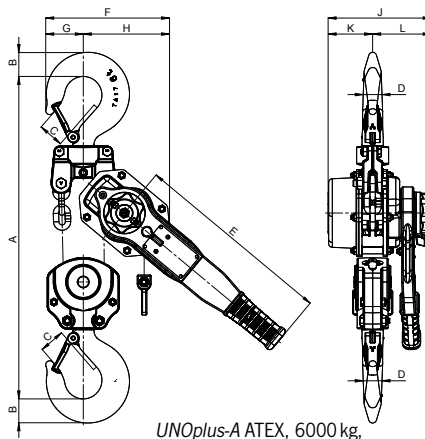
Model	Art.-No.	Capacity kg	Number of chain falls	Chain dimensions d x p in mm/ design	Lift with one full lever turn mm	Handle pull at WLL daN	Weight at standard lift (1.5m) kg
<i>UNOplus-A</i> ATEX 750	N02305001	750	1	5.6 x 17.1 - T	27	22	6.3
<i>UNOplus-A</i> ATEX 1500	N02305002	1500	1	7.1 x 21 - T	22	35	9.2
<i>UNOplus-A</i> ATEX 3000	N02305003	3000	1	10 x 28 - V	20	40	16.9
<i>UNOplus-A</i> ATEX 6000	N02505004	6000	2	10 x 28 - V	10	43	28.6

Dimensions *UNOplus-A* ATEX

Model	<i>UNOplus-A</i> ATEX 750	<i>UNOplus-A</i> ATEX 1500	<i>UNOplus-A</i> ATEX 3000	<i>UNOplus-A</i> ATEX 6000
A min., mm	312	375	445	563
B, mm	20	26	37	45
C, mm	27	31	40	47
D, mm	18	21	28	35
E, mm	267	267	376	376
F, mm	121	146	180	232
G, mm	40	51	57	71
H, mm	81	95	123	161
J, mm	144	164	193	193
K, mm	53	68	83	83
L, mm	91	96	110	110



*UNOplus-A* ATEX, 750 - 3000 kg,  
single fall



*UNOplus-A* ATEX, 6000 kg,  
double fall

*UNOplus-A* ATEX, 6000 kg,  
double fall

