



Heavy duty plate clamps with safety lock

Working load limit (WLL) 100 - 30000kg

These clamps are primarily used for transporting sheet metal and steel plates in the vertical position, as well as lifting and rotating through 180°.

They can also be used for transporting steel constructions and profiles. It is recommended to use a pair of plate clamps in conjunction with a spreader beam for long plate.

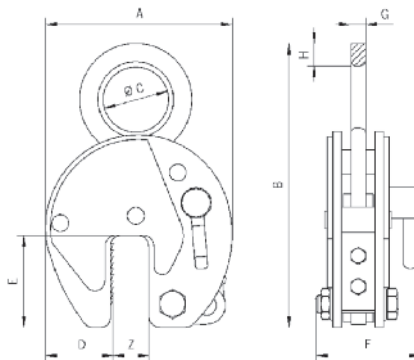
Function

The jaw is opened and closed with the locking lever. The safety lock spring loads the cam jaw, preventing the clamp from opening even when there is no load on the jaw.

Workmanship and parts

These plate clamps are service-friendly, making it easy to exchange parts, which are readily available. Clamp repairs can be done by a competent person.

NB: The plate surface of the material being clamped must have a hardness level below HRC 30/Brinell 300.



Model	WLL kg*	Jaw (Z) capacity mm	A mm	B mm	C mm	D mm	E mm	F mm	G mm	H mm	Weight kg**
CZ 1	100 - 1000	0 - 20	140	254	51	48	70	83	13	19	4
CZ 2	200 - 2000	0 - 32	197	323	67	68	93	110	20	20	9
CZ 3	300 - 3000	0 - 32	197	371	80	68	93	110	20	30	10
CZ 3L	300 - 3000	30 - 60	228	390	80	68	93	110	20	30	12
CZ 4	400 - 4000	0 - 32	197	371	80	68	93	129	20	30	10
CZ 4L	400 - 4000	30 - 60	228	390	80	68	93	129	20	30	12
CZ 6	600 - 6000	0 - 50	293	484	89	95	143	129	25	35	21
CZ 6L	600 - 6000	50 - 100	362	524	89	95	143	129	25	35	28
CZ 8	800 - 8000	0 - 50	293	492	89	95	143	129	25	42	26
CZ 8L	800 - 8000	50 - 100	362	524	89	114	143	129	25	42	32
CZ 10	1000 - 10000	0 - 50	293	545	110	95	143	139	25	45	30
CZ 10L	1000 - 10000	50 - 100	362	545	110	114	143	139	25	45	37
CZ 15	1500 - 15000	0 - 50	360	613	130	125	162	204	45	55	75
CZ 15L	1500 - 15000	50 - 100	460	678	130	175	162	204	45	55	88
CZ 20	2000 - 20000	0 - 65	462	755	130	165	210	235	45	65	123
CZ 20L	2000 - 20000	65 - 130	560	805	130	195	210	235	45	65	136
CZ 30	3000 - 30000	0 - 65	462	732	60	165	210	295	65	-	195
CZ 30L	3000 - 30000	65 - 130	560	797	60	195	210	295	65	-	295

PLEASE NOTE: Units are supplied as standard with a hook ring. *Per clamp. **Weight per clamp with hook ring.