



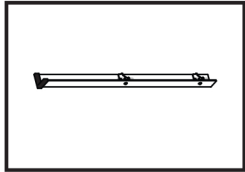
pte golf

professional tournament enhancements

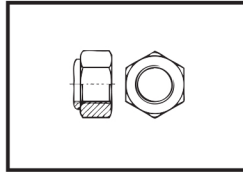
"Helping Professionals Look More Professional"

BUCKET STAND ASSEMBLY INSTRUCTIONS

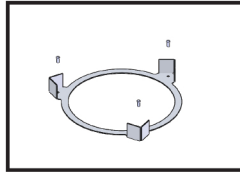
Tools and Parts Required



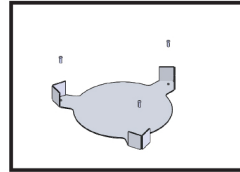
(3x)
Legs
[Included]



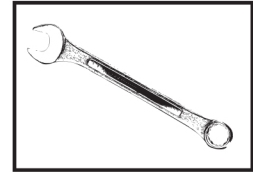
(6x)
Nylock $\frac{1}{4}$ x 20 Hex Nuts
[Included]



(1x)
Top Shelf
[Included]

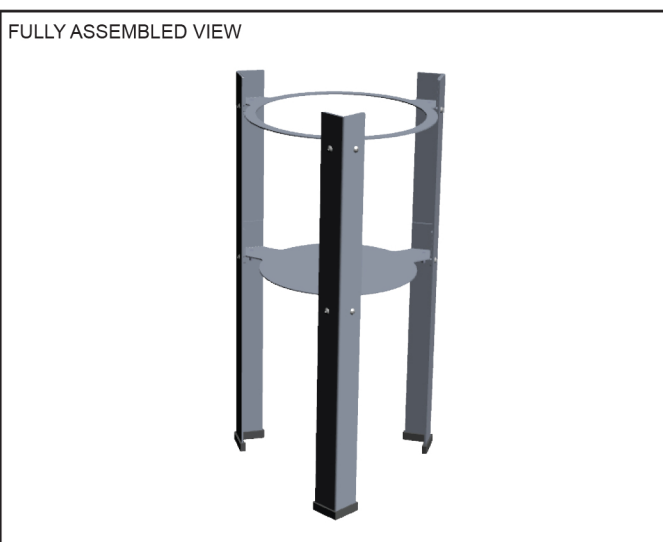
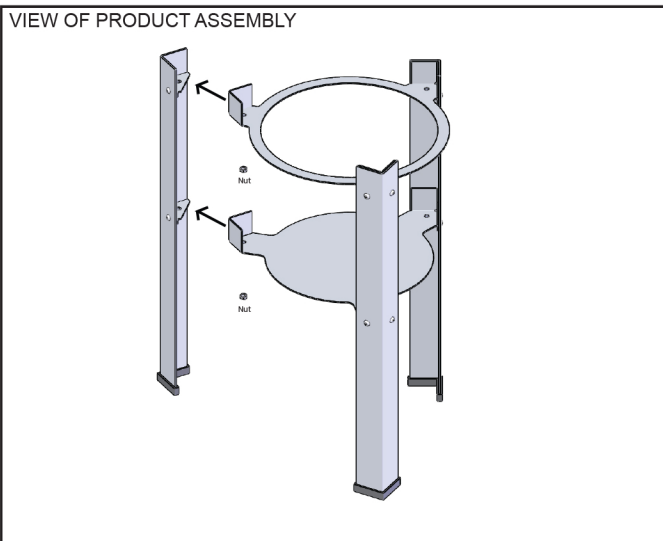


(1x)
Bottom Shelf
[Included]



(1x)
7/16th Combination Wrench
[NOT Included]

Assembly Steps



CAUTION!

WE RECOMMEND HAND TIGHTENING ALL OF THE HEX NUTS UNTIL THE ENTIRE FRAME IS TOGETHER. DO NOT OVER TIGHTEN THE HEX NUTS AS YOU COULD STRIP THE BOLTS. The premium Nylock Hex Nuts will help prevent the frame from becoming loose over time as compared to regular hex nuts.

- 1) Remove the plastic sheeting from all of the legs & shelves.
- 2) Stand up one leg, and attach the bottom shelf to it using a Nylock hex nut and hand tighten. Repeat for all three legs.
- 3) Flip the bucket stand over and set in the top shelf.
- 4) Hold the corners tight that guide the bolts into their respective holes in the top shelf. Hand tighten all nuts.
- 5) Now, using the combination wrench, tighten the hex bolts, starting with the top shelf, then tightening the bottom shelf.

Note: You may prefer to remove the handle of your buckets when using the stand. This is a personal preference and the handle easily can be cut off or removed from the bucket.

Please call PTE Golf at (561) 630-5205 if you have any questions about assembling or caring for your purchase.