



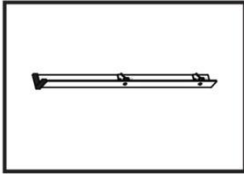
pte golf

professional tournament enhancements

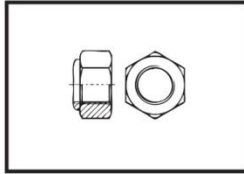
"Helping Professionals Look More Professional"

ICE CHEST STAND ASSEMBLY INSTRUCTION

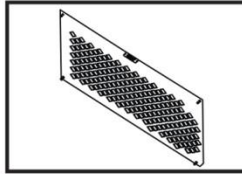
Tools and Parts Required



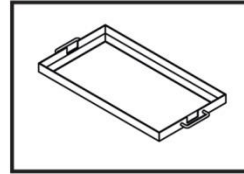
(4x)
Legs
[Included]



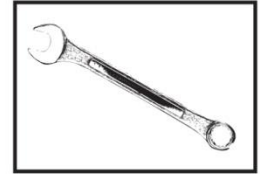
(8x)
Stainless Steel
Nylock 1/4 x 20 Hex Nuts
[Included]



(1x)
Bottom Shelf with NO handles
[Included]

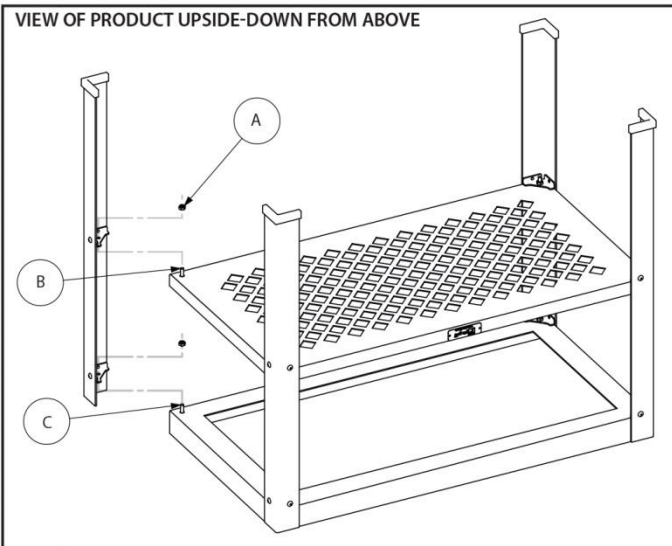


(1x)
Top Shelf with handles
[Included]



(1x)
7/16th Combination Wrench
[NOT Included]

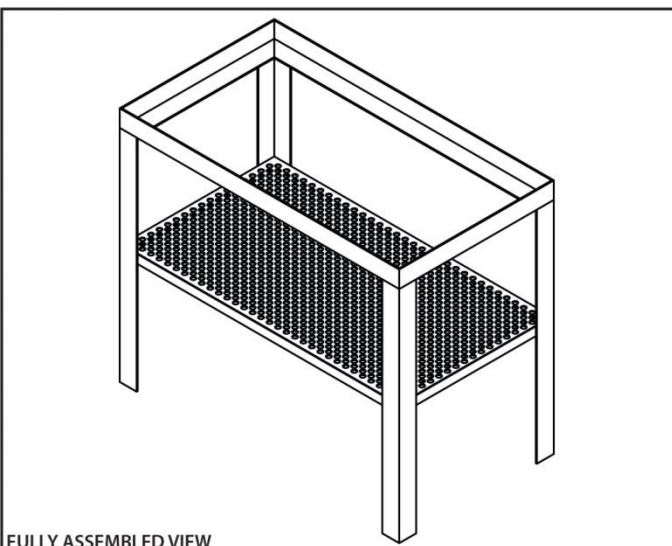
Assembly Steps



CAUTION!

DO NOT OVER TIGHTEN THE HEX NUTS AS YOU COULD STRIP THE BOLTS. WE RECOMMEND HAND TIGHTENING ALL OF THE HEX NUTS UNTIL THE ENTIRE FRAME IS TOGETHER. The premium Nylock Hex Nuts will help prevent the frame from becoming loose over time as compared to regular hex nuts.

- 1) Remove the foam sheeting from all of the legs.
- 2) Remove the foam sheeting from the shelves, starting with the marked bottom shelf.
- 3) Place the bottom shelf on a flat surface, with the bolts facing up.
- 4) Align one leg with the corner of the shelf, passing the bolt (B) through the pre-drilled hole in the middle of the leg, then **HAND TIGHTEN** one nut (A) to the bolt.
- 5) Repeat step 4 with each of the remaining 3 legs.
- 6) Turn the unit over and repeat step 2 through 4 for the upper shelf, passing the bolts (C) of the shelf through the pre-drilled holes.
- 7) Go back and tighten all bolts with the 7/16th combination wrench.
- 8) Your fully assembled Ice Chest Stand should look like the bottom drawing on the left. The shelf with metal grating is in the middle and the shelf with handles is on the top.



FULLY ASSEMBLED VIEW

Please call PTE Golf at (561) 630-5205 if you have any questions about assembling or caring for your purchase.