

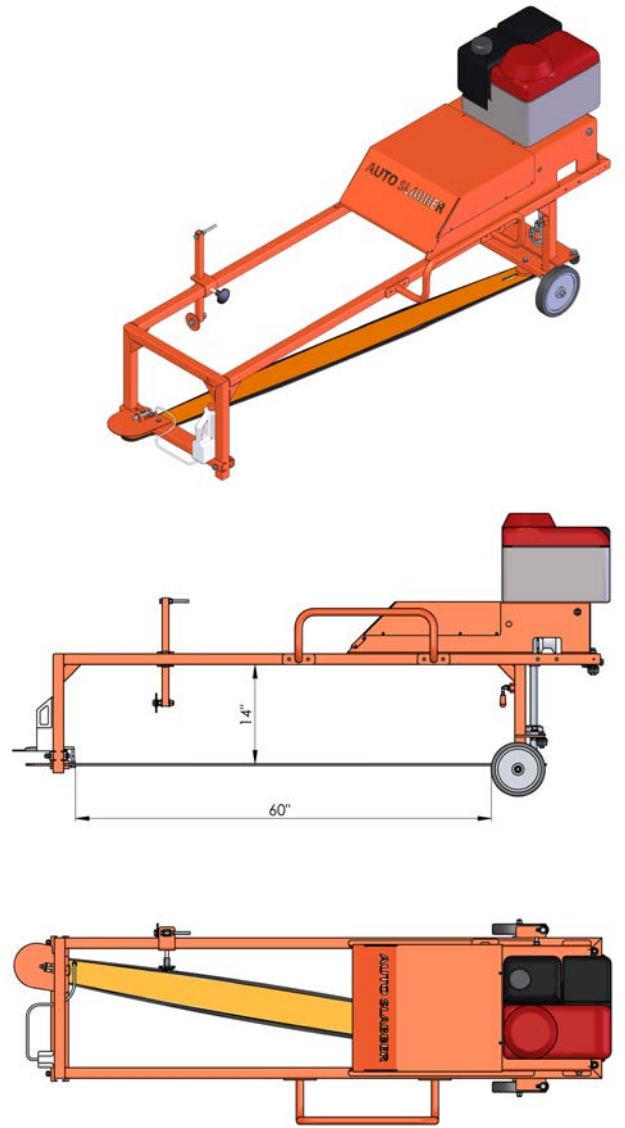


TURBO
SAWMILL



**WARRIOR
SLABBER**

WARRIOR SLABBER



WARRIOR SLABBER

Introducing our 2019 model dedicated slabber. We've re-configured this design to offer significant advantages over other manufacturer options. Easy to setup and easy to push through the log, thanks to the faster running chain speed and angled bar! Length is not a problem either! We can extend this unit as long as you wish. Now includes an easy to wind winch to pull the unit through the cut.

- This is a unique new option which automates the process of slabbing.
- Simply wind your feed rate via a dial configuration and watch the machine slice up your slabs (no hands)!

SPECS

- 1.5m (60") slab width capacity. 1.5m diameter log
- 350m (14") slab thickness
- 5m log length
- Log setup taper alignment included
- Manual feed or Automated feed

ENGINE + TROLLEY

Warrior Manual Slabber Trolley ONLY: \$10,00.00

Warrior Manual Slabber Trolley and Frame: \$14,000.00 USD

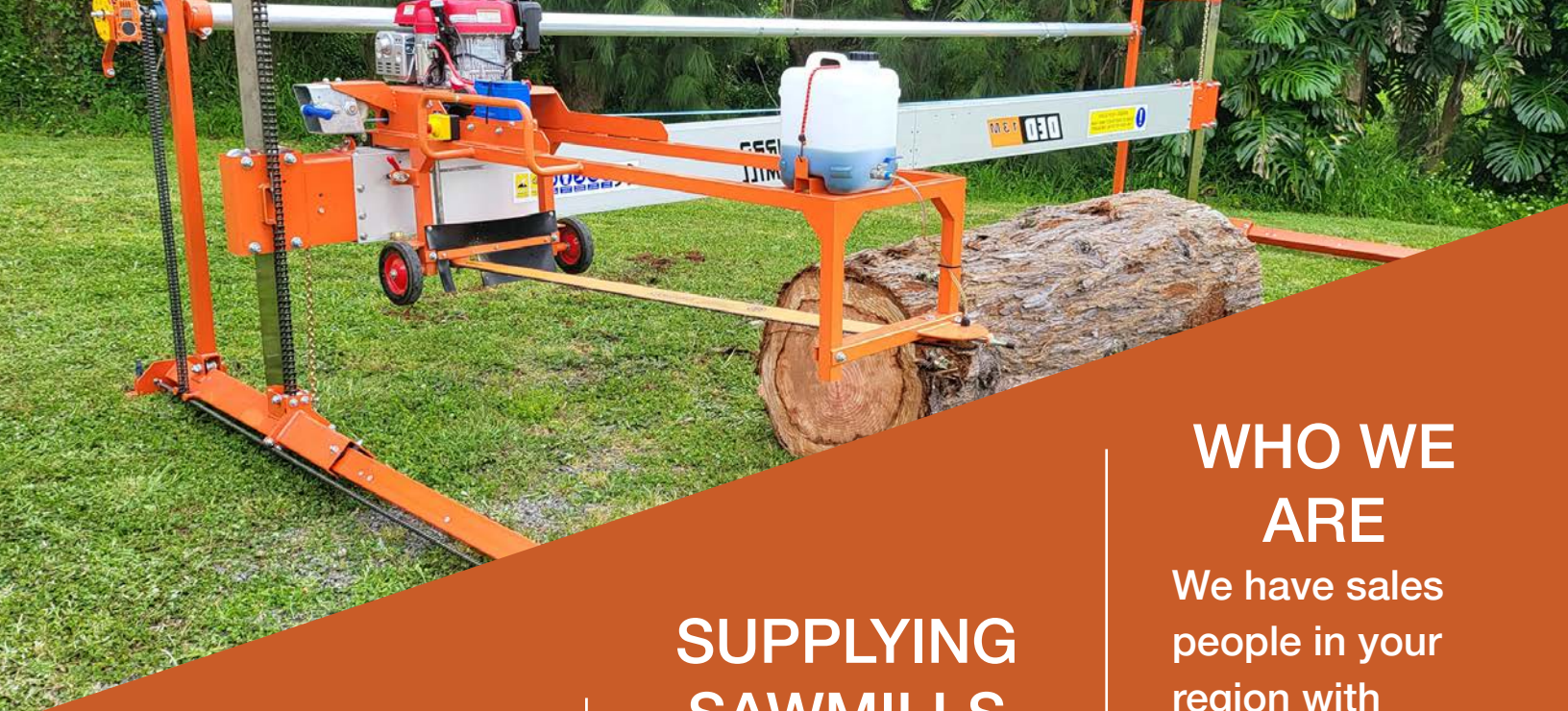
INCLUDES

- Electric start 13hp or 28hp Honda vertical shaft engine
- 2 x RX27 chain loops
- Hand crank winch or Automated feed
- Increased output speed (5,500 RPM) for faster cutting
- Centrifugal clutch for easy start up
- Jockey wheels for easy transport and setup
- 180 degree easy access for removal of slabs and loading logs
- Easy belt and chain tension system
- Easy bar alignment adjustment
- Stability roller for further rigidity while slabbing (if required)
- 2 year warranty on the mill frame work
- 3 year warranty on the motor

ANGELED BAR PROVIDED FOR:

- Smooth entry and exit of the log.
- Easier feed as the chain tends to pull the saw through the cut (even easier with the Auto feature).
- Reduced tendency of frame sway (as seen on other manufacturers products).
- Does not include sharpener - we recommend a professional bench grinding kit for quality sharpening.





WHAT SETS US APART

Help customers have the best equipment and cutting tools in order to meet their goals, increase yield, and produce the highest quality lumber products in the most-cost efficient manner.

SUPPLYING
SAWMILLS
NATIONWIDE
MORE THAN

30
YEARS

WHO WE ARE

We have sales people in your region with knowledgeable answers to your sawmill needs, with combined experience of over 200 years.

LOCATIONS:

Timpson, TX
1-800-598-6344

Shreveport, LA
318-227-1695

Polkton, NC
704-272-8326



sawmill.shop
info.sss@bidgroup.ca