



TURBO
SAWMILL



**MANUAL
WARRIOR
SWING-BLADE
SAWMILL**



MANUAL WARRIOR SWING-BLADE SAWMILL

KEY FEATURES

TurboSawmill manual sawmills are incredibly simple and versatile. The frame is built tough and offers accurate cutting. In addition, our single beam design provides unrestricted access to load logs and remove your lumber (you are not stuck between two tracks).

Sizing is performed simultaneously through two reduction gearboxes with large dials for sizing. The gearbox means that you will not rely on preset clicks for every movement; they are infinitely variable.

Although the sizing is all done at one end, you still get the option to adjust for taper at the far end through a hand winch. The adjustment is essential when setting

up your sawmill over the log; there is no need to lift and wedge the log.

Push the mill through the log, actuating horizontal and vertical cuts for every board sawn.

The sawmill comes standard with a large ATV dolly system in the middle of your beam, allowing one person to move the mill around quickly. You could also tow it around your farm behind an ATV or similar.

Another feature that comes standard is the weatherboard attachment device. This accessory allows you to saw tapered boards directly from your log.



MANUAL WARRIOR SWING-BLADE SAWMILL



SPECS

- Log setup taper alignment included.
- 1.2-meter diameter (4 feet) log - although any diameter may be sawn.
- 4.4-meter (14.5 feet) log cut length.
- 8" x 8" cut capacity.
- Double cut capable.
- Produces a double width slab for every drop (no need to swing the frame around).

INCLUDES

- Electric start.
- 1 x 5-tooth INSERT blade, tool, extra tips, and sharpener (requires a drill).
- Manual feed.
- Manual blade swing.
- Single end horizontal and vertical gearbox with sizing dials.
- Large ATV jockey kit.
- Weather board swing kit.
- 2-year warranty on the mill framework.
- 3-year warranty on the motor.

MANUAL WARRIOR SWING-BLADE SAWMILL



M6-13M SAWMILL

MANUAL SWING-BLADE

6" x 6" standard cut, 5" x 12" double cut, with Honda Gas GX690 13hp (gross) (pull start included) engine. \$14,000



M6-28M SAWMILL

MANUAL SWING-BLADE

6" x 6" standard cut, 5" x 12" double cut, with Honda Gas IGX800 30hp (gross) engine. \$16,000



M8-13M SAWMILL

MANUAL SWING-BLADE

8" x 8" standard cut, 7" x 16" double cut, with Honda Gas GX690 13hp (gross) (pull start included) engine. \$16,000



M8-28M SAWMILL

MANUAL SWING-BLADE

8" x 8" standard cut, 7" x 16" double cut, with Honda Gas IGX800 30hp (gross) engine. \$18,000

MANUAL WARRIOR SWING-BLADE SAWMILL

DISASSEMBLY (6 ASSEMBLIES INCLUDING JOCKEY WHEELS)

1. Unbolt the long alloy tube.
2. Unbolt the operator end frame.
 - You may use the included jockey wheels to prop up the beam during disassembly.
 - You may also remove the long base skids of each frame to reduce the weight.
3. Roll the carriage off the beam onto a pallet in your truck.
4. To reduce the overall weight of your carriage you may also remove:
 - Guards.
 - Blade.
 - Motor (only 4 bolts on the 13hp).
5. Unbolt the far end frame.
6. Place the complete beam on your truck's roof rack or disassemble into pieces for easier transport.

View of parts and weights



Jockey Wheels come standard with every model.



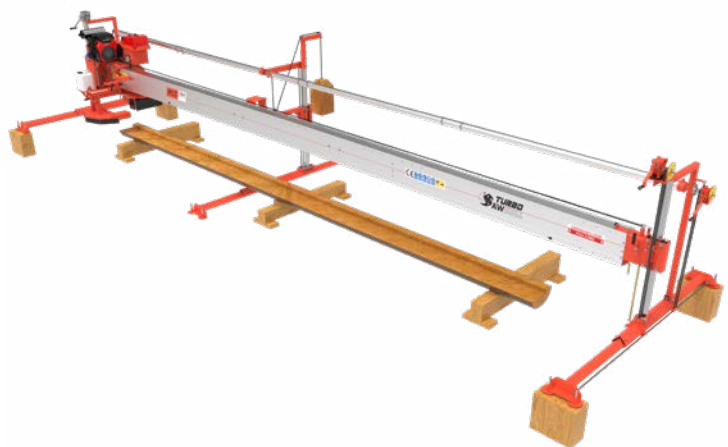
MOBILITY (FARM DOLLY KIT)

You may also purchase the farm dolly kit as an accessory which means you can simply lower the complete sawmill onto this kit, then install the tow hitch bracket at the end of the beam and within minutes transport your sawmill around your property using your vehicle.



Farm Dolly Kit

View of extended sawmill





WHAT SETS US APART

Help customers have the best equipment and cutting tools in order to meet their goals, increase yield, and produce the highest quality lumber products in the most-cost efficient manner.

SUPPLYING
SAWMILLS
NATIONWIDE
MORE THAN
30
YEARS

WHO WE ARE

We have sales people in your region with knowledgeable answers to your sawmill needs, with combined experience of over 200 years.

LOCATIONS:

TEXAS

1-800-598-6344

LOUISIANA

318-227-1695

NORTH CAROLINA

704-272-8326

sawmill.shop

info.sss@bidgroup.ca

