

TURBO **SAWMILL**



**AUTOMATED
WARRIOR
SWING-BLADE
SAWMILL**



AUTOMATED WARRIOR SWING-BLADE SAWMILL

KEY FEATURES

The world's premier automated Swing-blade sawmill enables one operator to do the same amount of work as two people using another Swing-blade design.

Our automated mills are high tech, easy to use, simple and versatile. The frame is built tough and offers rigid cutting. Our single beam design provides unrestricted access to load logs and recover your lumber (you are not stuck between two tracks).

Sizing is performed at the same end through two reduction gearboxes with large dials for sizing. The gearbox means that you will not rely on preset clicks for every movement, they are infinitely variable.

Although the sizing is all done at one end, you still get the option to adjust for taper at the far end through a hand winch. This is important when first setting up your sawmill over the log, no need to lift and chock the log.

Simply power the sawmill through the log via a hand lever actuating horizontal and vertical cuts remotely for every board sawn. Once the carriage gets to the other end, it hits a stop, and the blade automatically swings (through a simple gas strut) into vertical ready for the return cut.

The power feed is controlled remotely through a hydrostatic drive, providing a completely variable speed for all depths of cut.

The sawmill comes standard with a large ATV dolly system that locates at the middle of your beam. This allows one person to move the mill around with ease. You could also tow it around your farm behind an ATV or similar.

Another feature that comes standard is the weather board attachment device. This accessory allows you to saw tapered boards directly from your log.





SPECS

- Single-end vertical and horizontal sizing.
- Log setup taper alignment included.
- 1.3m diameter (4 ft) log - although any diameter may be sawn.
- 6m (20 ft) log cut length. Extendable to (26 ft) log cut length.
- Extended much longer with center leg (additional).
- Double cut capable.

INCLUDES

- Jockey transport wheels.
- 1 x 5-tooth INSERT blade, tool, extra tips, and sharpener (requires a drill).
- Power feed.
- Auto remote blade swing.
- Operable in both auto and manual mode.
- 2-year warranty on the mill framework.
- 3-year warranty on the motor.

AUTOMATED WARRIOR SWING-BLADE SAWMILL



M10-28A SAWMILL

AUTOMATED SWING-BLADE

10" x 10" standard cut, 9" x 20" double cut,
fitted with Honda IGX800 Petrol 25hp (net),
30hp (gross) engine. \$29,900



M12-28A SAWMILL

AUTOMATED SWING-BLADE

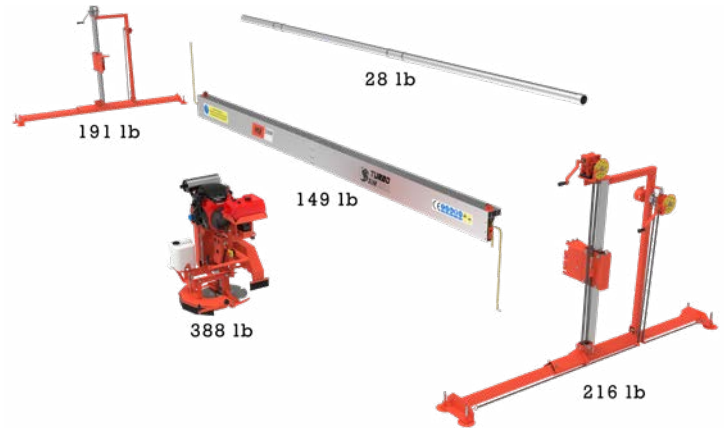
12" x 12" standard cut, 11" x 24" double cut), fitted
with Honda IGX800 Petrol 25hp (net), 30hp (gross)
engine. \$35,000

AUTOMATED WARRIOR SWING-BLADE SAWMILL

DISASSEMBLY (6 ASSEMBLIES INCLUDING JOCKEY WHEELS)

1. Unbolt the long alloy tube.
 - Unbolt the operator end frame.
 - You may use the included jockey wheels to prop up the beam during disassembly.
2. You may also remove the long base skids of each frame to reduce the weight.
3. Roll the carriage off the beam onto a pallet in your truck.
4. To reduce the overall weight of your carriage you may also remove:
 - Guards.
 - Blade.
 - Motor.
5. Unbolt the far end frame.
6. Place the complete beam on your truck's roof rack or disassemble into pieces for easier transport.

View of parts and weights



Jockey Wheels come standard with every model.



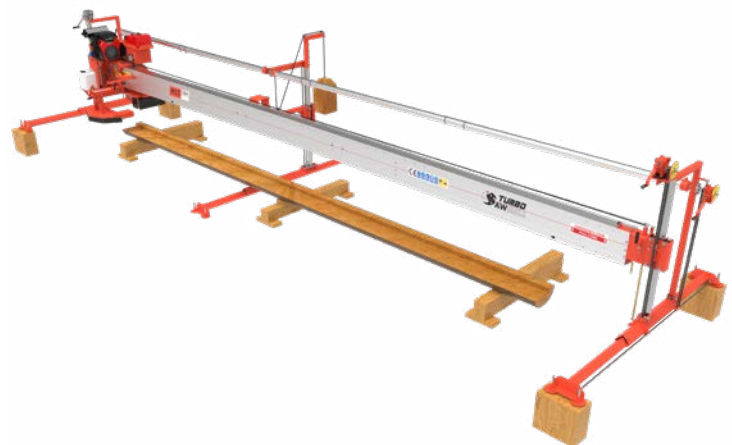
MOBILITY (FARM DOLLY KIT)

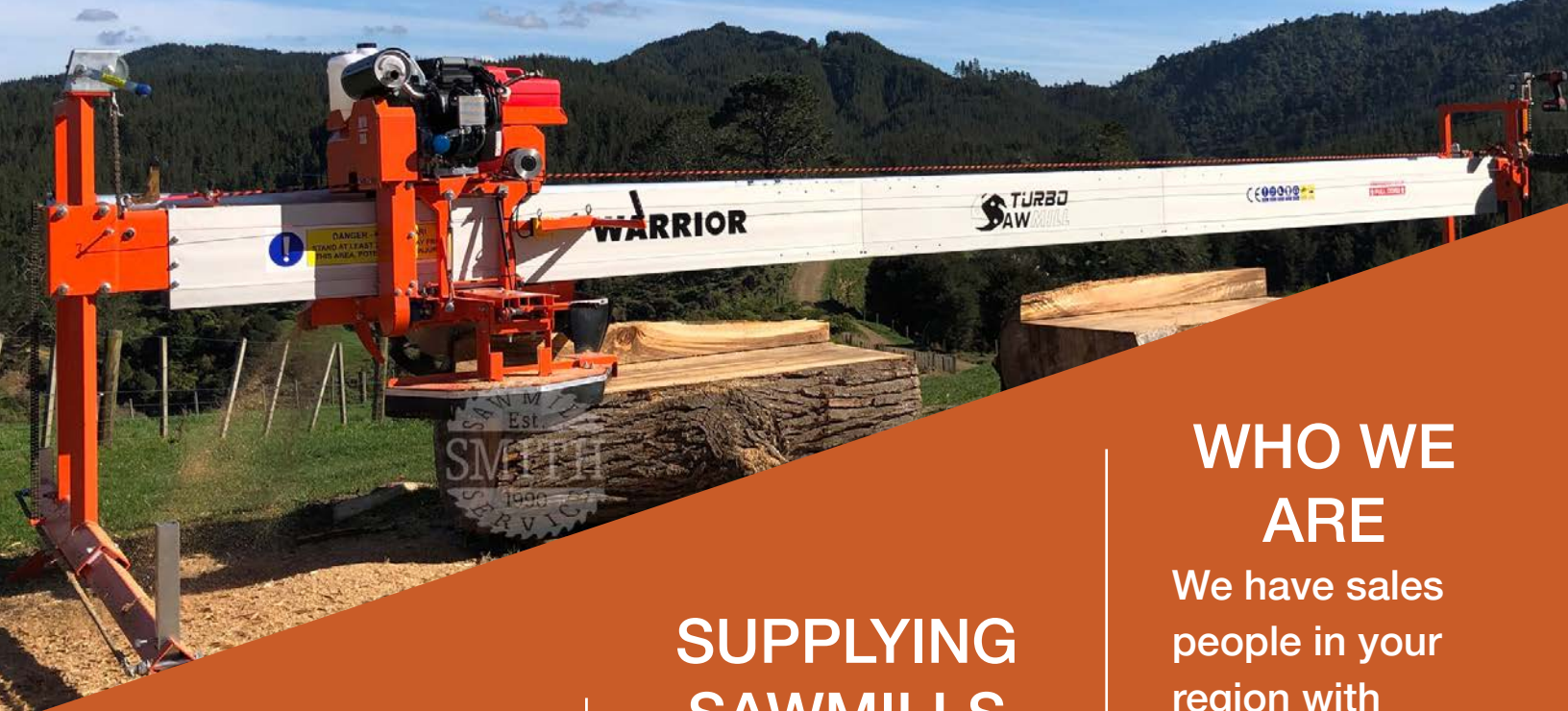
You may also purchase the farm dolly kit as an accessory which means you can simply lower the complete sawmill onto this kit, then install the tow hitch bracket at the end of the beam and within minutes transport your sawmill around your property using your vehicle.



Farm Dolly Kit

View of extended sawmill





WHAT SETS US APART

Help customers have the best equipment and cutting tools in order to meet their goals, increase yield, and produce the highest quality lumber products in the most-cost efficient manner.

SUPPLYING
SAWMILLS
NATIONWIDE
MORE THAN
30
YEARS

WHO WE ARE

We have sales people in your region with knowledgeable answers to your sawmill needs, with combined experience of over 200 years.

LOCATIONS:

TEXAS

1-800-598-6344

LOUISIANA

318-227-1695

NORTH CAROLINA

704-272-8326

sawmill.shop

info.sss@bidgroup.ca

