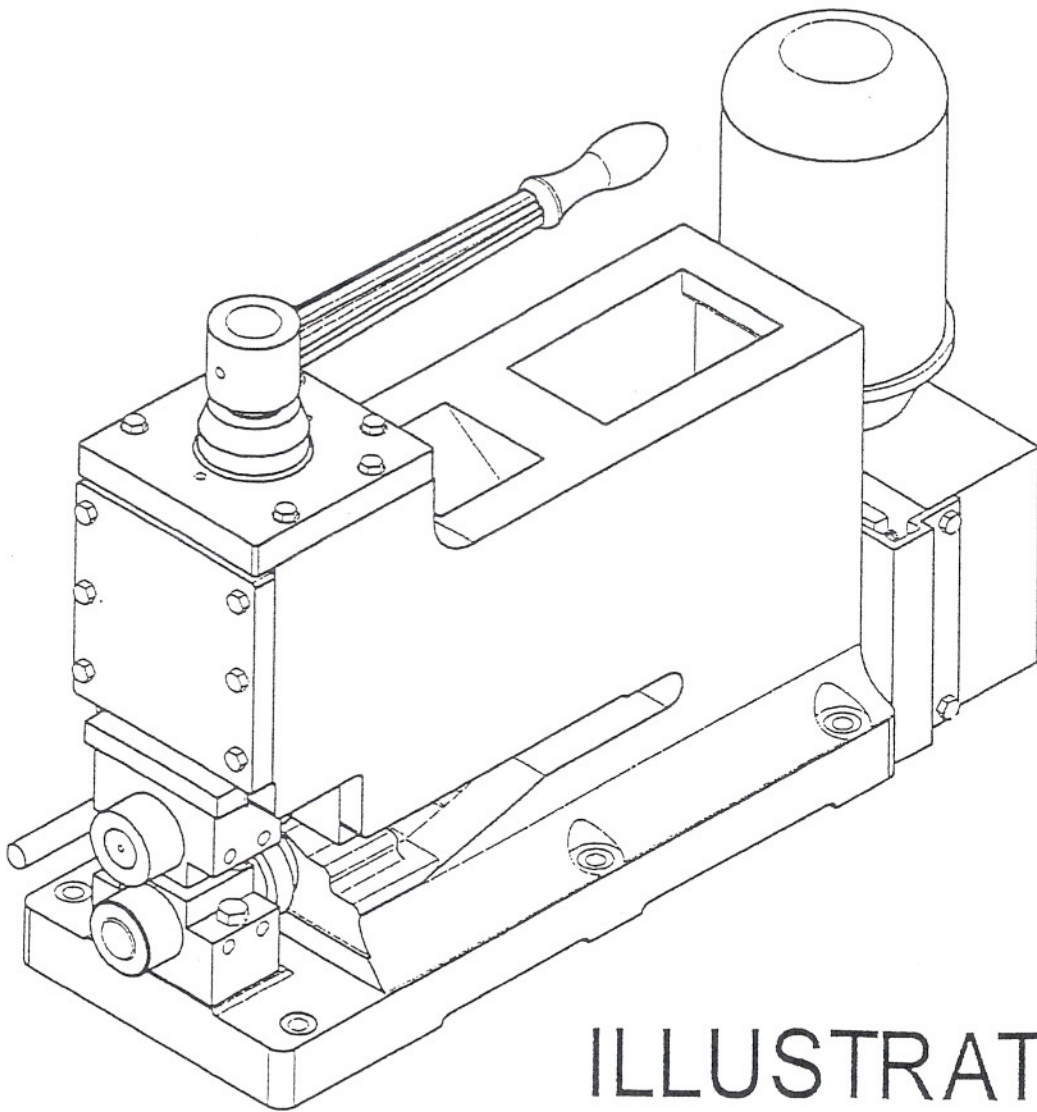




HANCHETT

104-12" STRETCHER

104-C-30" STRETCHER



ILLUSTRATED PARTS LIST

TABLE OF CONTENTS

PREFACE

SHEET 1

BODY ASSEMBLY

DRAWING 2

PART LIST 3

ELECTRICAL ASSEMBLY

DRAWING 4

PART LIST 5

LEVER ASSEMBLY

DRAWING 6

PART LIST 7

SHAFT ASSEMBLY

DRAWING 8

PART LIST 9

104-C-30 SAW FRONT AND BASE

PAGE 10

PREFACE

THIS ILLUSTRATED PARTS BOOK IS SUPPLIED TO SERVE AS A REFERENCE MANUAL FOR IDENTIFYING PARTS.

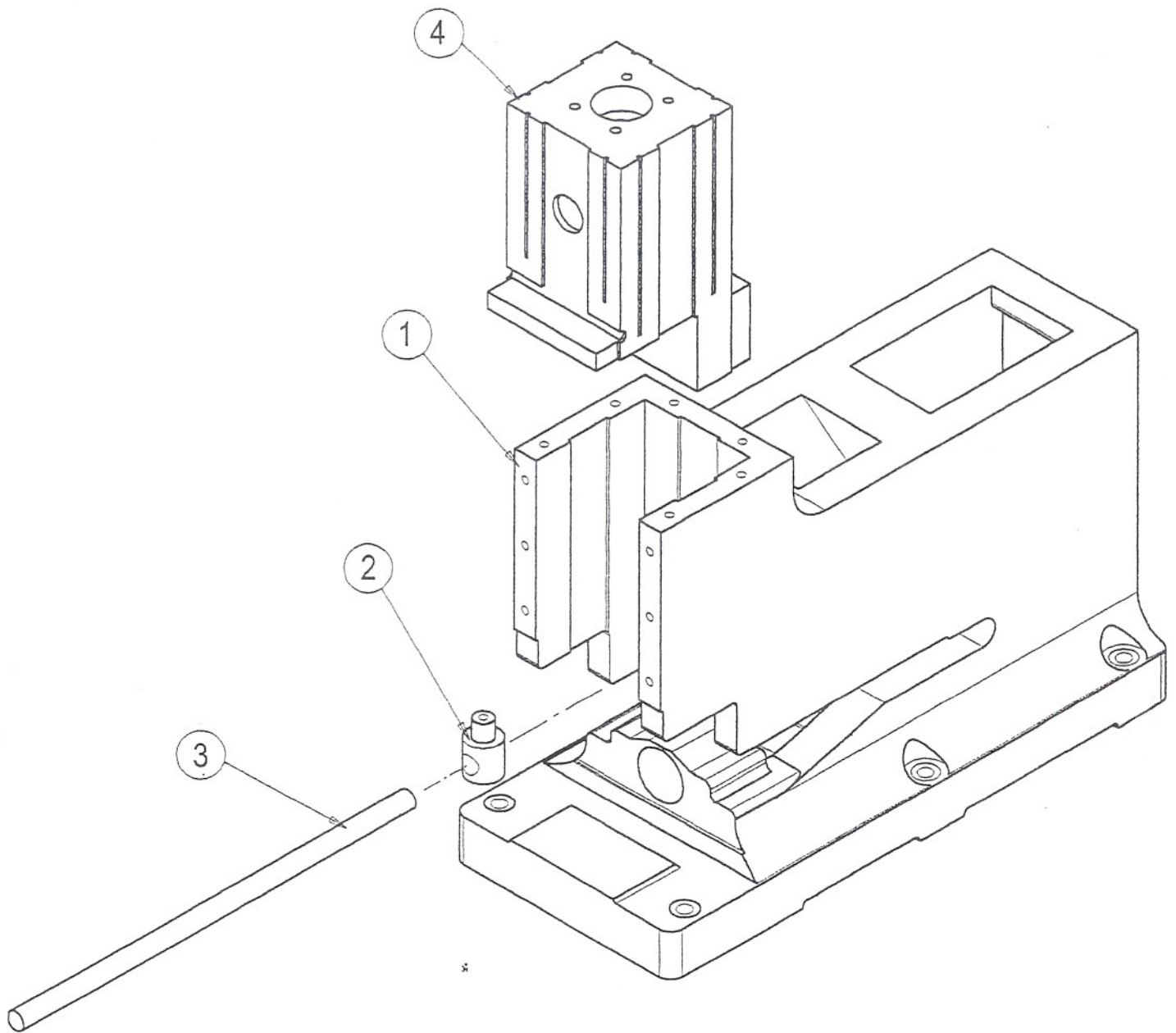
IN ORDER TO PROVIDE THE CORRECT PARTS FOR YOUR MACHINE, IT IS NECESSARY TO HAVE THE SHOP NUMBER OF YOUR MACHINE READY FOR OUR SALES / SERVICE STAFF.

TAKE A MOMENT TO RECORD THIS INFORMATION HERE :

104-12" BANDSAW STRETCHER
104-C-30" CIRCULAR STRETCHER
SHOP NUMBER : _____

TO BETTER SERVE YOU, PLEASE INCLUDE THE ITEM NUMBER, PART NUMBER, AND NAME OF PART WITH ALL CORRESPONDENCE. REFER TO THE BILL-OF-MATERIAL PROVIDED WITH YOU MACHINE FOR PROPER PART NUMBERS.

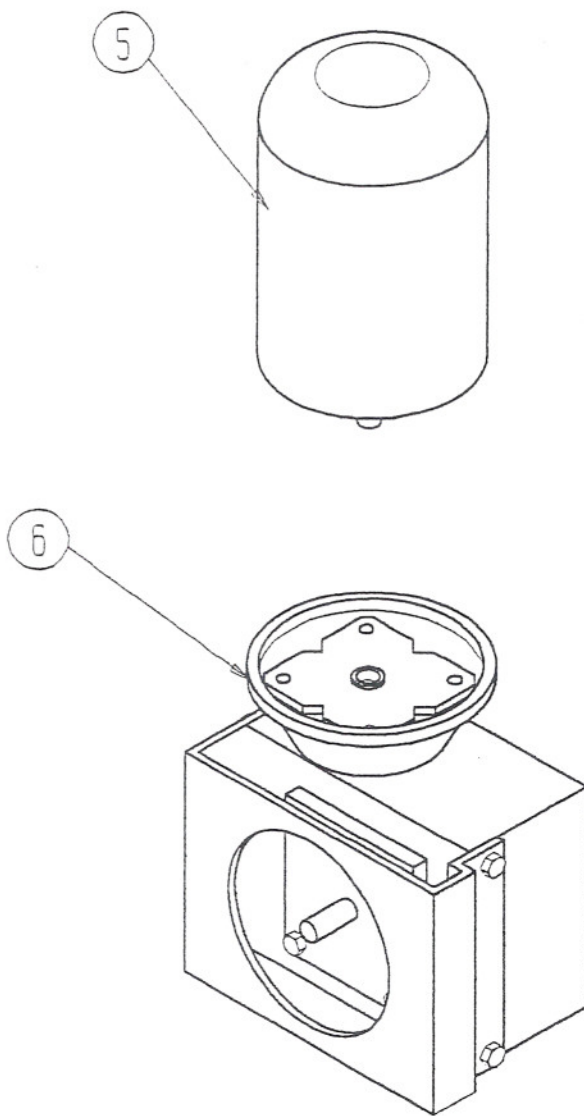
BODY ASSEMBLY



104-12" HEAVY DUTY STRETCHER

BODY ASSEMBLY

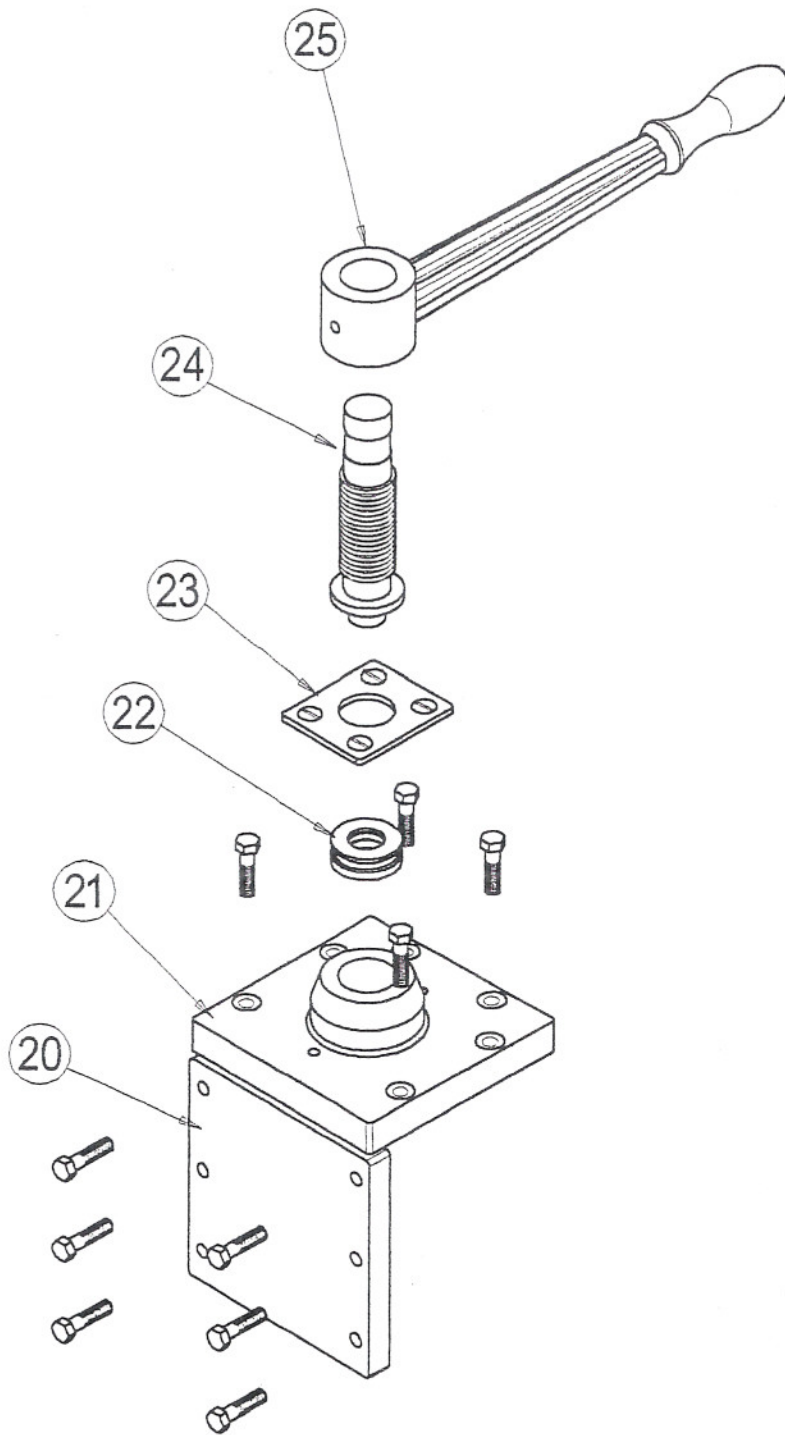
<u>SYM.</u>	<u>DESCRIPTION</u>	<u>PART #</u>
1	STRECHER BODY	HD-100-B
2	STUD	ST-760
3	SHAFT	ST-777
4	PRESSURE BLOCK	HD-101



ELECTRICAL ASSEMBLY

ELECTRICAL ASSEMBLY

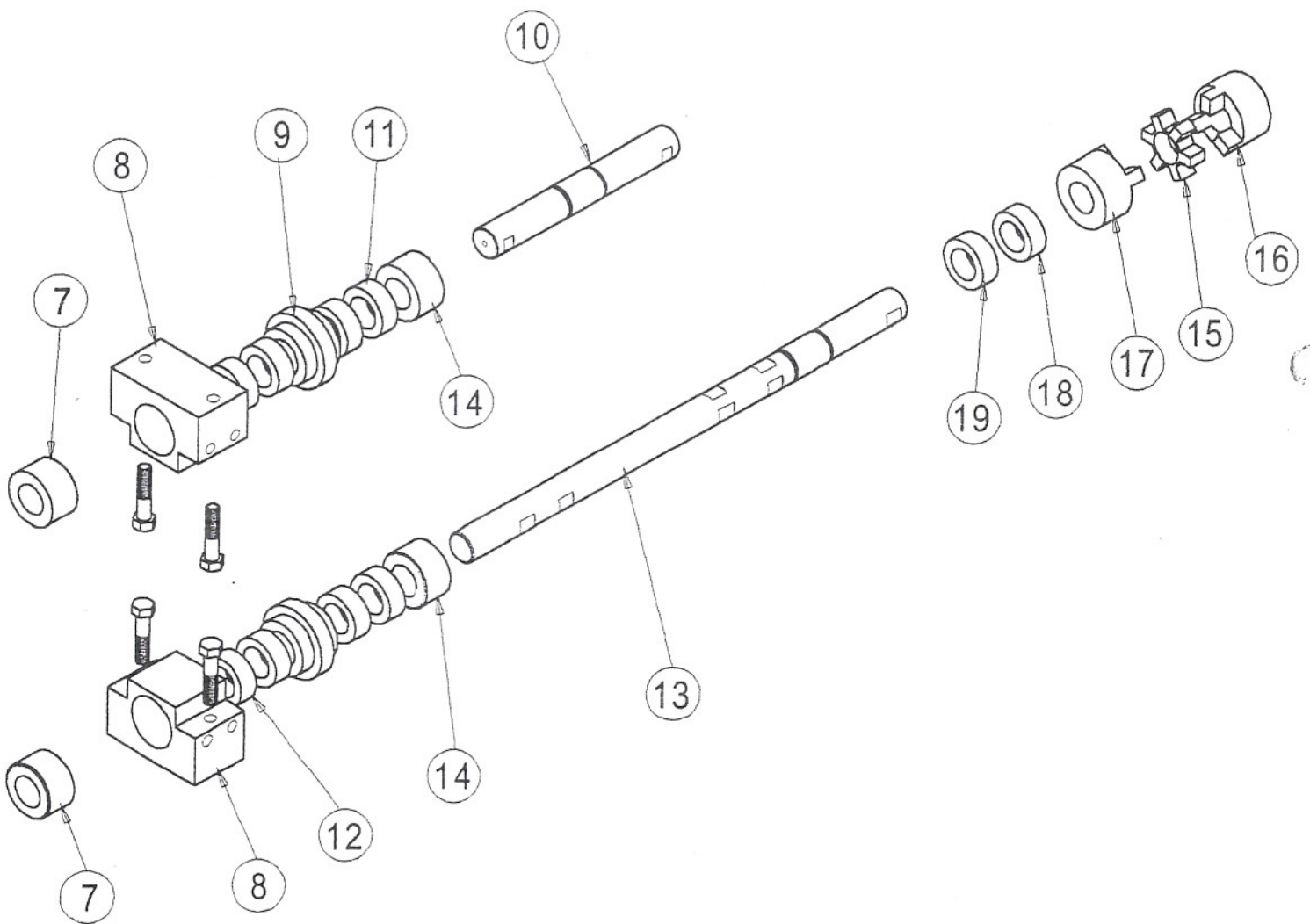
<u>SYM.</u>	<u>DESCRIPTION</u>	<u>PART #</u>
5	3/4 H.P. MOTOR	BAA0161G
6	REDUCER	BHH0037X



LEVER ASSEMBLY

LEVER ASSEMBLY

SYM.	DESCRIPTION	PART #
20	FRONT PLATE	HD-110
21	PRESSURE CAP	HD-102
22	THRUST BEARING AND WASHER	CDD0026F CDD0028R
23	RETAINING PLATE	HD-105
24	PRESSURE SCREW	HD-104
25	REGULATOR LEVER	SF-89-2



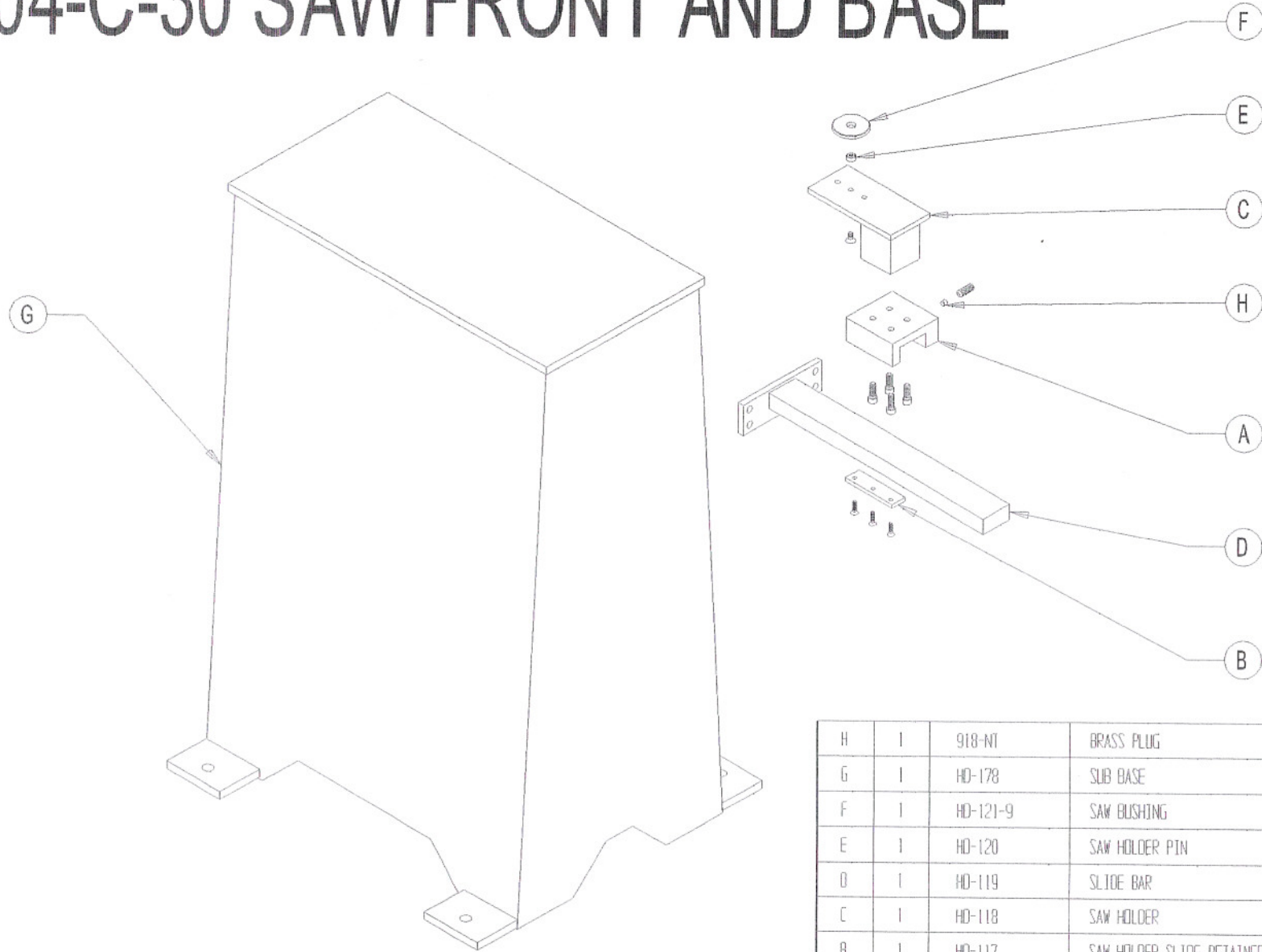
SHAFT ASSEMBLY

SHAFT ASSEMBLY

SYM.	DESCRIPTION	PART #
7	RETAINING RING (2)	HD-113
8	BEARING HOUSING (2)	HD-103-1
9	ROLL (2)	HD-106
10	UPPER SHAFT	HD-108
11	INNER NEEDLE BEARING (4)	CCC0019D
12	OUTER NEEDLE BEARING (4)	CCC0020N
13	LOWER SHAFT	HD-175
14	RETAINING RING (2)	HD-113-2
15	BRONZE SPIDER	DGG0080Z
16	HALF COUPLING	DGG0088D
17	HALF COUPLING	DGG0106D
18	COLLAR 1.25 I.D.	PAK0009B
19	REAR NEEDLE BEARING	CCC0068R

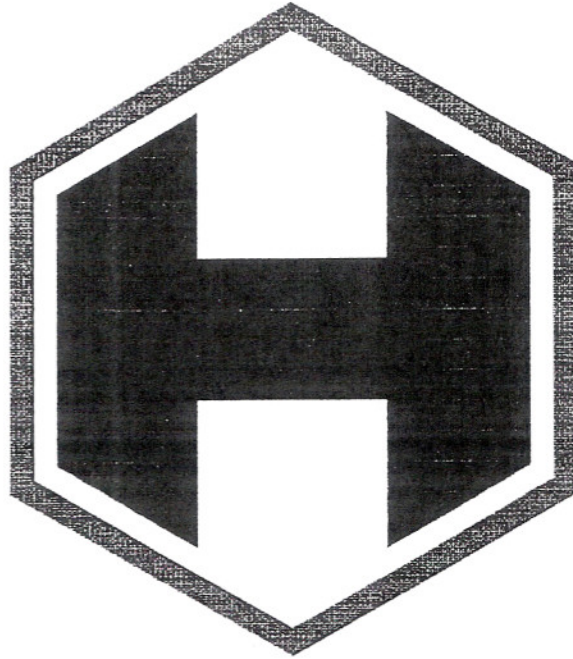
TO PURCHASE REPLACEMENT ROLLS, USE PART NUMBER : SA01054V

104-C-30 SAW FRONT AND BASE



ALL UNMARKED PARTS ARE STANDARD HARDWARE AVAILABLE LOCALLY

H	1	918-NT	BRASS PLUG
G	1	HD-178	SUB BASE
F	1	HD-121-9	SAW BUSHING
E	1	HD-120	SAW HOLDER PIN
D	1	HD-119	SLIDE BAR
C	1	HD-118	SAW HOLDER
B	1	HD-117	SAW HOLDER SLIDE RETAINER
A	1	HD-116	SAW HOLDER SLIDE
SYM	QTY	PART #	DESCRIPTION
STOCK LIST			



HANCHETT MANUFACTURING, INC.
906 NORTH STATE STREET
BIG RAPIDS, MI 49307

PHONE (231) 796-7678 - FAX (231) 796-4851 - TOLL FREE (800) 45-GRIND - (800) 454-7463

www.hanchett.com - sales@hanchett.com