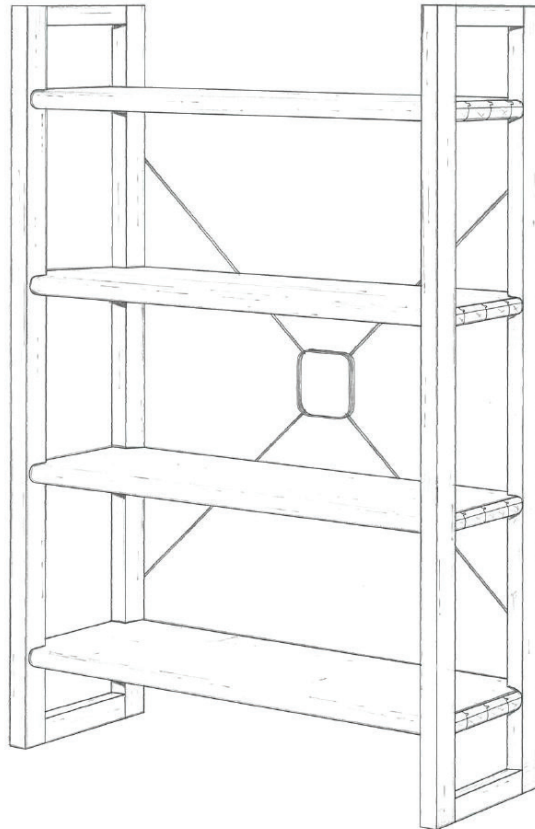


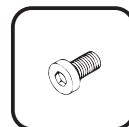
ASSEMBLY INSTRUCTION
DISPLAY UNIT
VALA012



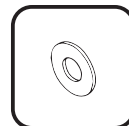
CONTAIN 3 PARTS

- **Part 1:** Left & right wooden frame
- **Part 2:** Metal frame
- **Part 3:** 4 shelves

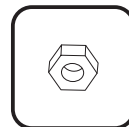
HARDWARE PACK



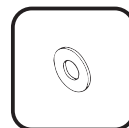
Bolt (8pcs)
Φ 8 x 20



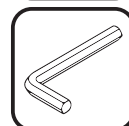
Washer (8pcs)
Φ 8



Hex Nut (4pcs)
Φ 6



Washer (4pcs)
Φ 6



Hex Key (1pc)
Φ 4

This assembly requires 2 adults!

Lay all parts on a blanket to prevent scratching.

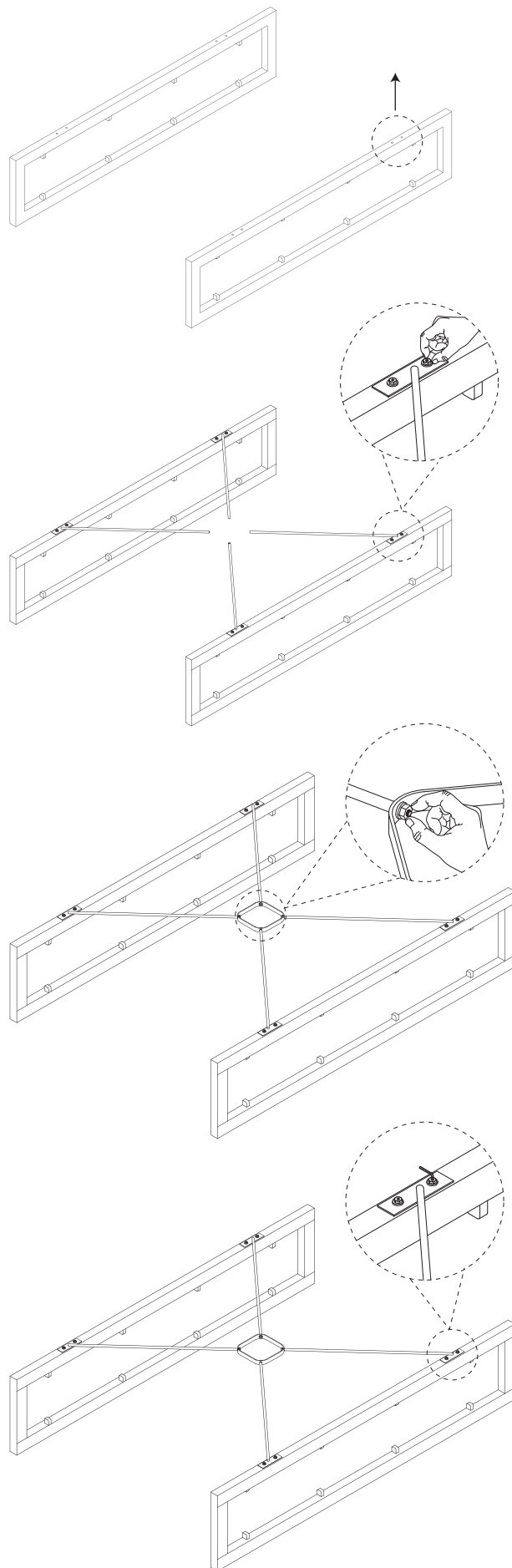
Carefully lift each part

- **Step 1:** Put 2 wooden frames on the floor and have them on parallel lines facing toward each other.
(Note: frame face with driving nuts upward)

- **Step 2:** Fit the metal bars into wooden frames by using bolts and washers.
Tighten the bolts by hand only.

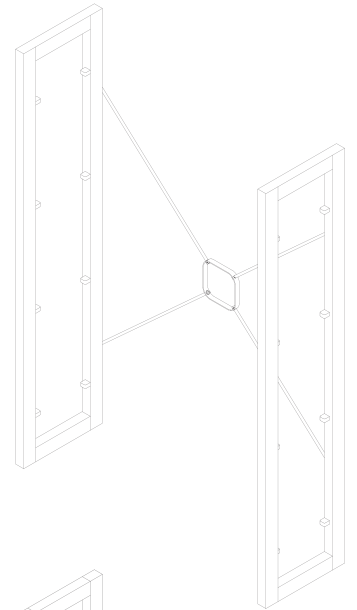
- **Step 3:** Fit the square metal with metal bars by using hex nuts and washers.
Tighten the hex nuts by hand only.

- **Step 4:** Tighten all bolts and hex nuts by using hex key and ring spanner .

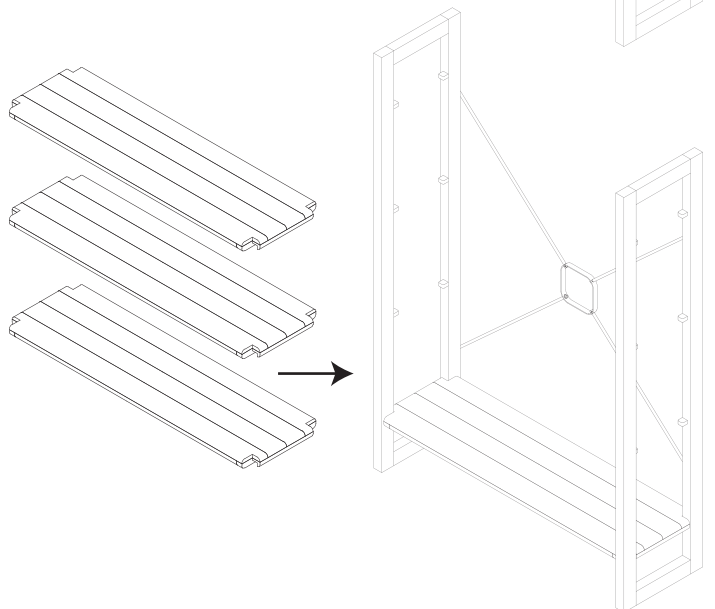


DISPLAY UNIT VALA012

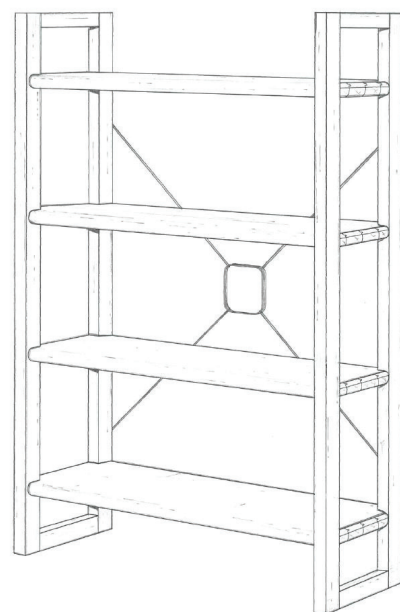
- **Step 5:** Stand the display unit up.



- **Step :** Fit the shelves into the frame.



The assembly is now completed!



ENJOY YOUR NEW RECLAIMED® PRODUCT

For further information, please visit our website www.pgt-reclaimed.com