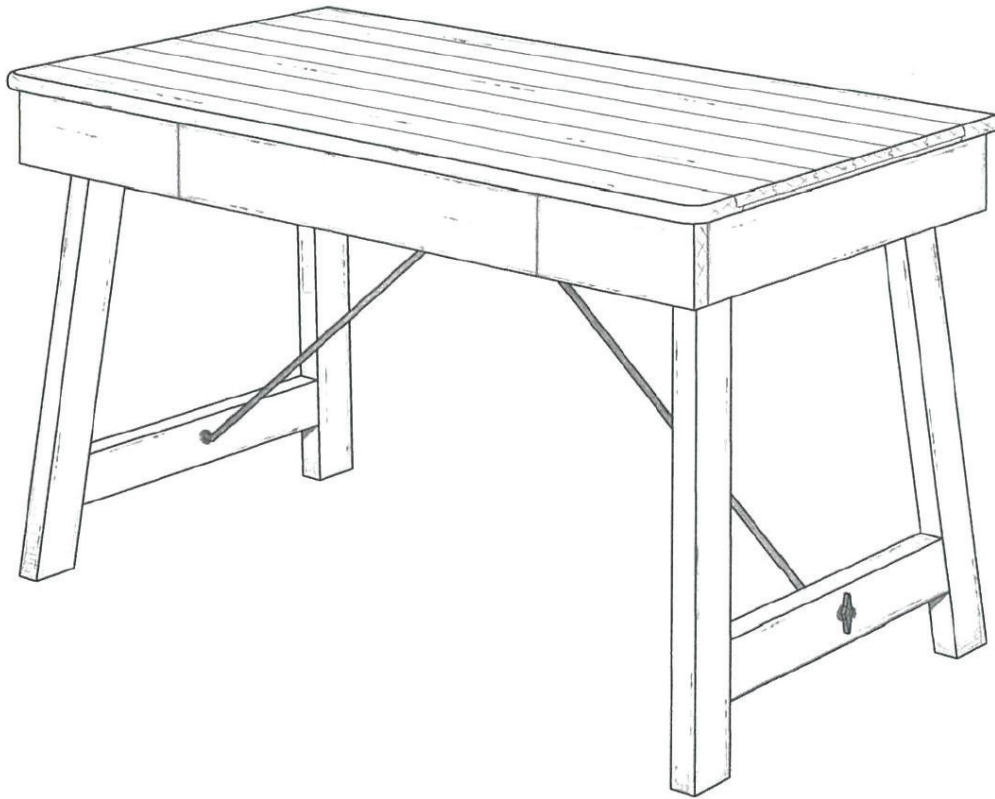


ASSEMBLY INSTRUCTION

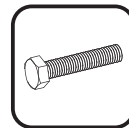
DESK  
**VALOF001**



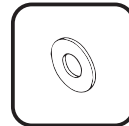
**CONTAIN 5 PARTS**

- **Part 1:** Fully assembled top
- **Part 2:** Left leg
- **Part 3:** Right leg
- **Part 4, 5:** Two metal rods

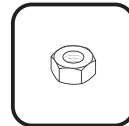
**HARDWARE PACK**



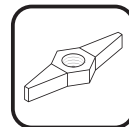
Bolt (4pcs)  
Φ 10 x 60



Washer (8pcs)  
Φ 11 x 26 x 1.8



Nut (2pcs)  
Φ 10



Wing Nut (2pcs)  
Φ 10



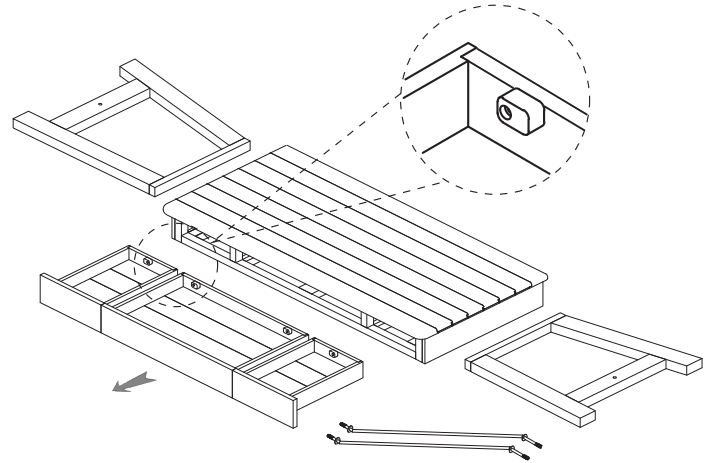
Ring Spanner (1pc)  
K17

# DESK VALOF001

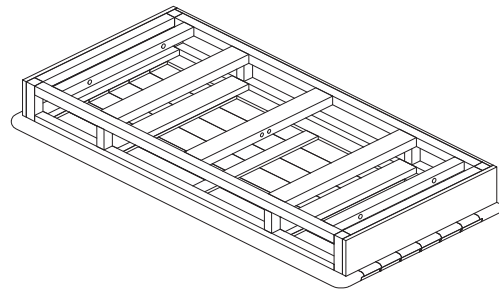
**This assembly requires 2 adults!**

*Lay all parts on a blanket to prevent scratching.  
Carefully lift each part*

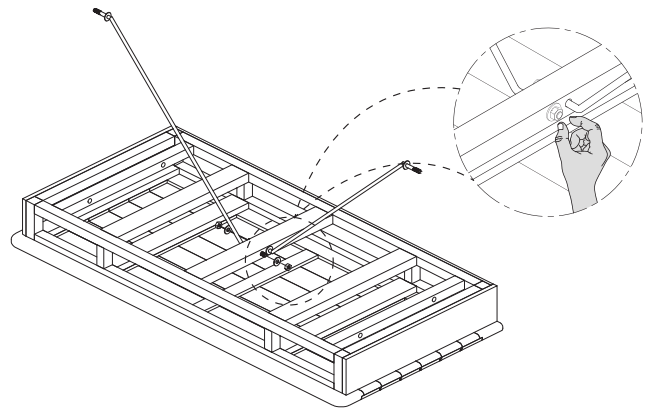
- **Step 1:** Pull the **Drawers** out of the top by turning the drawer's stopper anti-clockwise.



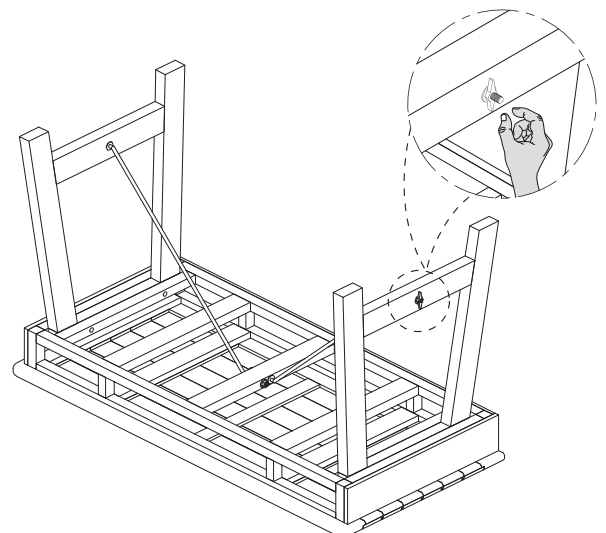
- **Step 2:** Turn the top section up side down.



- **Step 3:** Fit two metal rods to the center of the desk using nuts and washers. Tighten the nuts by hand only. (note: do not use the ring spanner here)

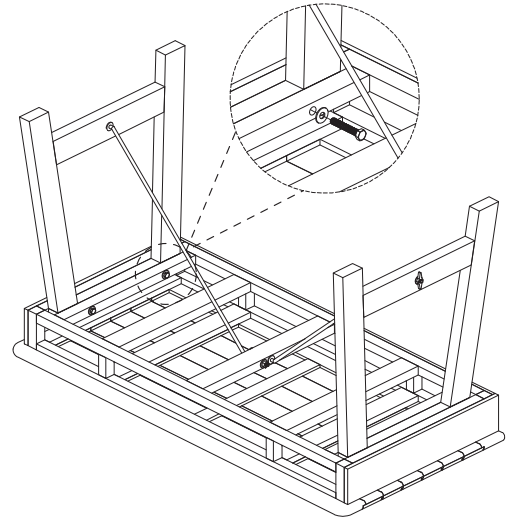


- **Step 4:** Fit the other ends of the two metal rods to the legs using nuts and washers. Tighten the wing nuts by hand only. (note: do not use the ring spanner here)

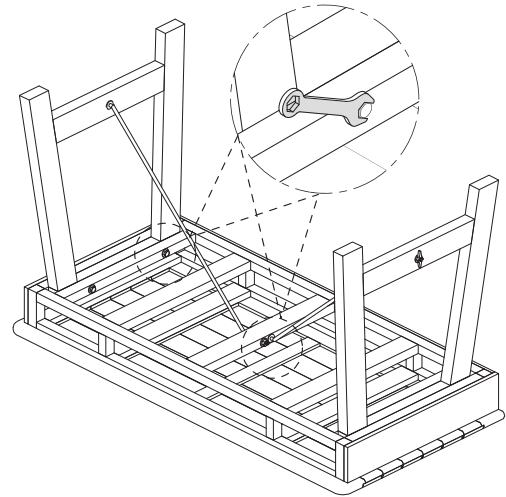


# DESK VALOF001

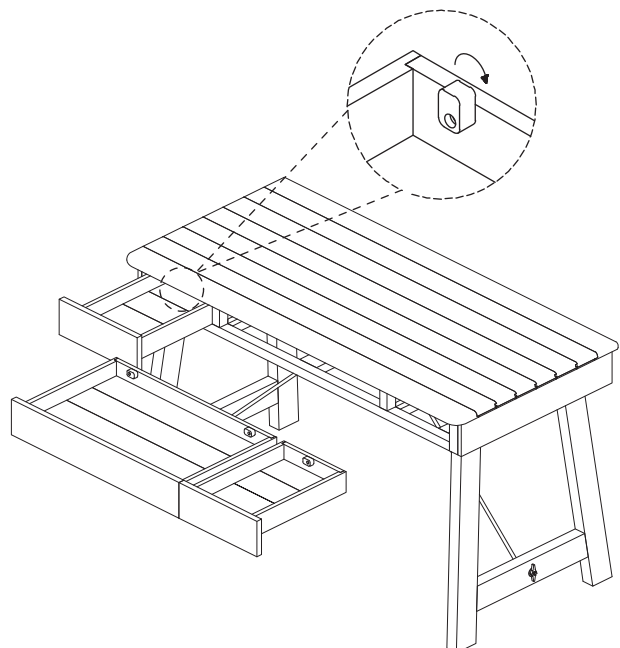
- **Step 5:** Secure the legs to the top using bolts and washers.



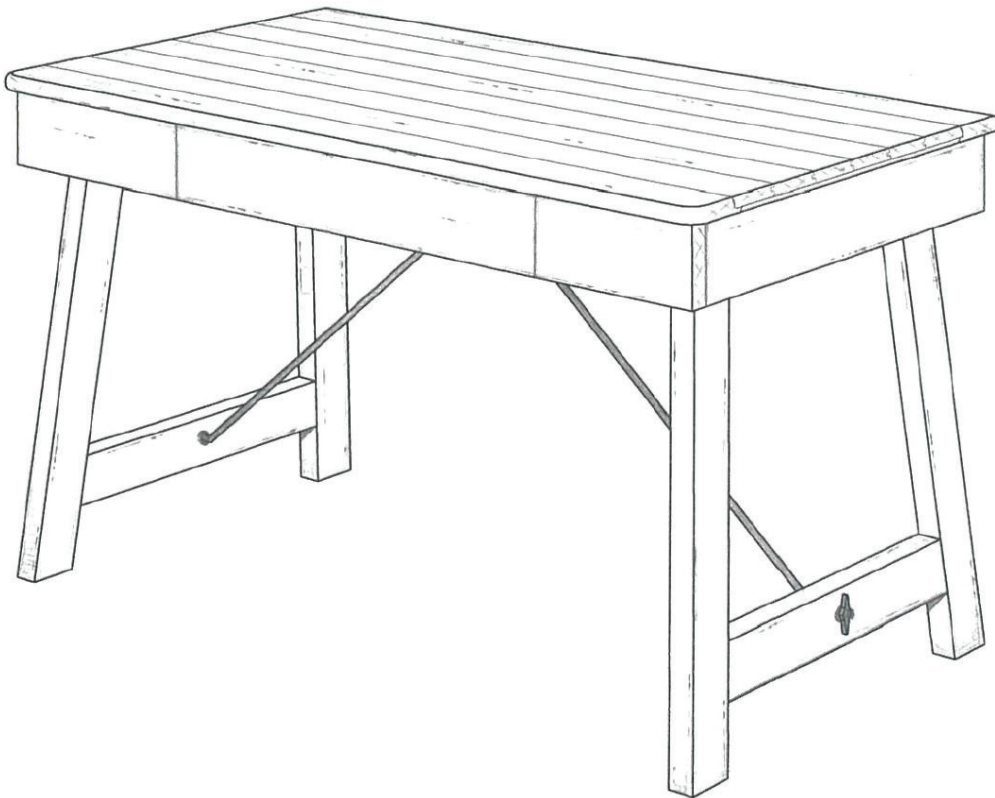
- **Step 6:** Use ring spanner to tighten all bolts.



- **Step 7:** Turn the desk over. Insert the drawers and turn the **drawer stops** up to prevent the drawers from falling out when you open.



**The assembly is now completed!**



**ENJOY YOUR NEW RECLAIMED® PRODUCT**

For further information, please visit our website [www.pgt-reclaimed.com](http://www.pgt-reclaimed.com)