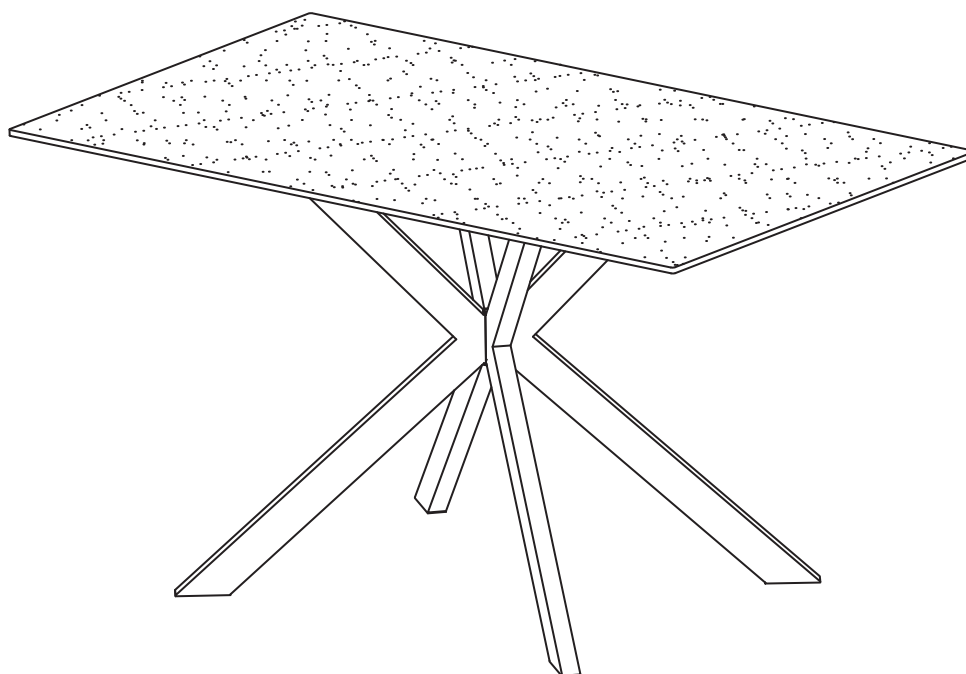

TT01/KS03 - 135cm Fixed Dining Table

Assembly Instructions

Product Size: H 76 cm x W 135cm x D80cm



Please retain for future reference

TT01/KS03 - 135cm Fixed Dining Table

Assembly Instructions

Before You Start

Warnings

- > We suggest that you retain these instructions for future reference.
- > Keep fittings out of children's reach and keep children well away from the assembly area.
- > Please ensure that this product is only used on firm, level ground.
- > We advise that you periodically check all fittings and re-tighten as necessary.
- > Please do not stand on your furniture.
- > Please avoid exposing the furniture to excessive heat or direct sunlight, as this can cause deterioration of the colour.

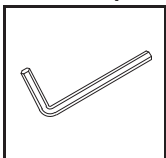
Number of People Required to Assemble

2 persons are required to assemble this item.

Time to Assemble

Approximately 20 minutes required to assemble this item.

Tools required



Missing Parts or Issues

If you are missing any fixtures and fittings for your furniture, or if you are unhappy with the condition of your furniture, please contact the retailer who you purchased this furniture from.

Do

- > We suggest you spend a short time reading through this leaflet before you start.
- > When you are ready to start, make sure that you have the right tools and plenty of space.
- > Unwrap all packaging materials and place components on a clean surface to protect them from damage.
- > We recommend that the packaging is used to protect the surfaces during assembly.
- > Carefully check that you have all parts before beginning assembly.
- > We recommend that the furniture is assembled in the room that it is intended to be used in.
- > Ensure the product is fully assembled as shown, and that all fixings are fully tightened before use.
- > Wipe occasionally with a soft cloth slightly dampened with water, then buff with a dry clean soft cloth.

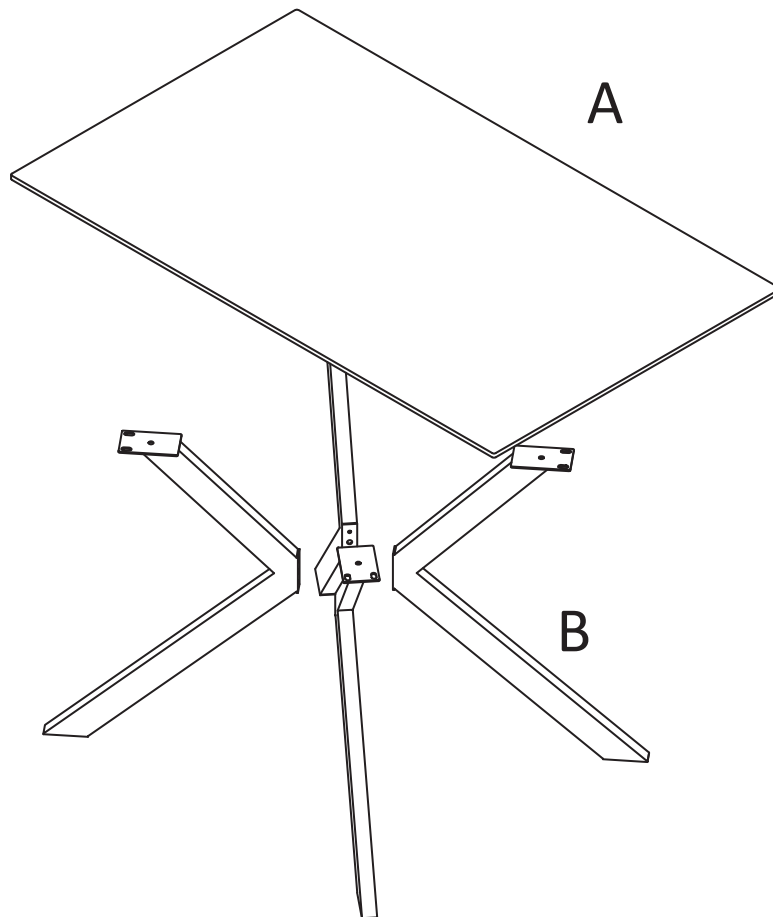
Don't

- > Do not drag or pull your furniture.
- > Do not use silicone based furniture polish. Silicone in furniture polishes can break down the finish.
- > Never allow any kind of liquid to remain on your furniture.
- > Absorption can cause finishes to de-laminate.
- > Do not place hot items (e.g. hot drinks) directly on to the surface. Please make sure you use a placemat or coaster.

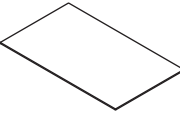

TT01/KS03 - 135cm Fixed Dining Table

Assembly Instructions

Getting to Know your Product



Components supplied. Please use this guide if you require replacement parts.

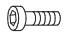

#	Dimensions	Visua	Qty	Ctn
A	H4.5cm x W135cm x D80cm		1pc	1
B	H71cm x W50.5cm x D7.2cm		4pcs	2

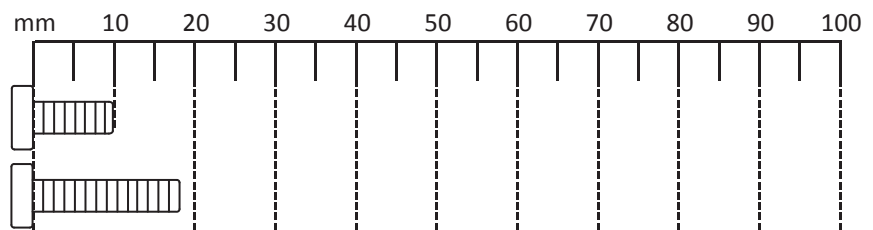
TT01/KS03 - 135cm Fixed Dining Table

Assembly Instructions



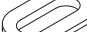



Fixtures and Fittings

Main Fixtures and Fittings Supplied (To Scale)

Ref	Dimensions	Qty
1	 M6x10	10
2	 M8x18	8

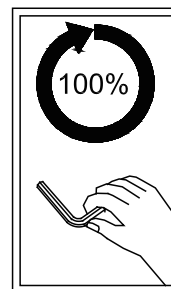
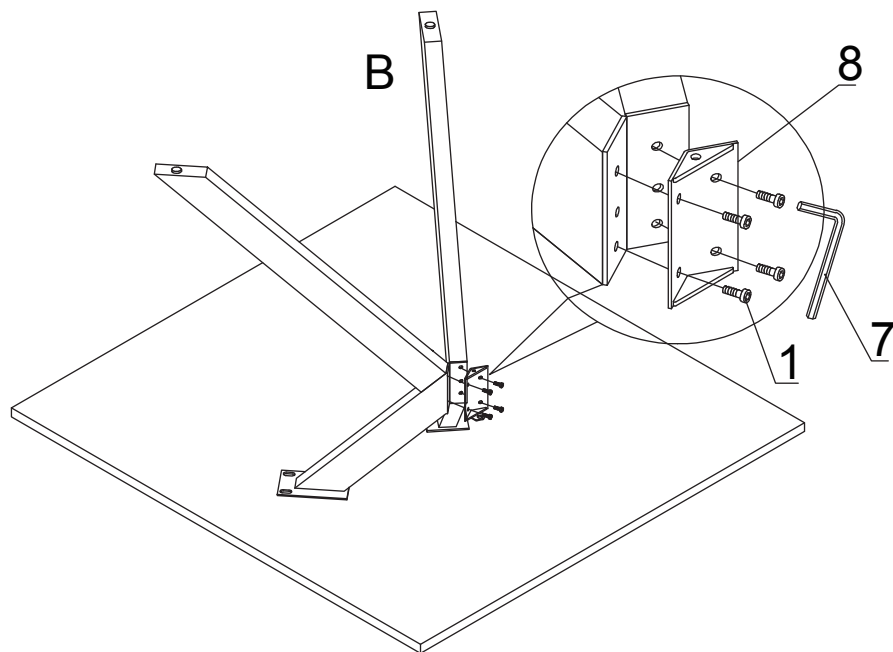


Other Fixtures and Fittings Supplied (Not To Scale)

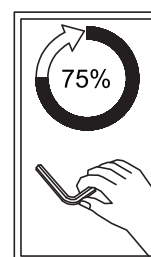
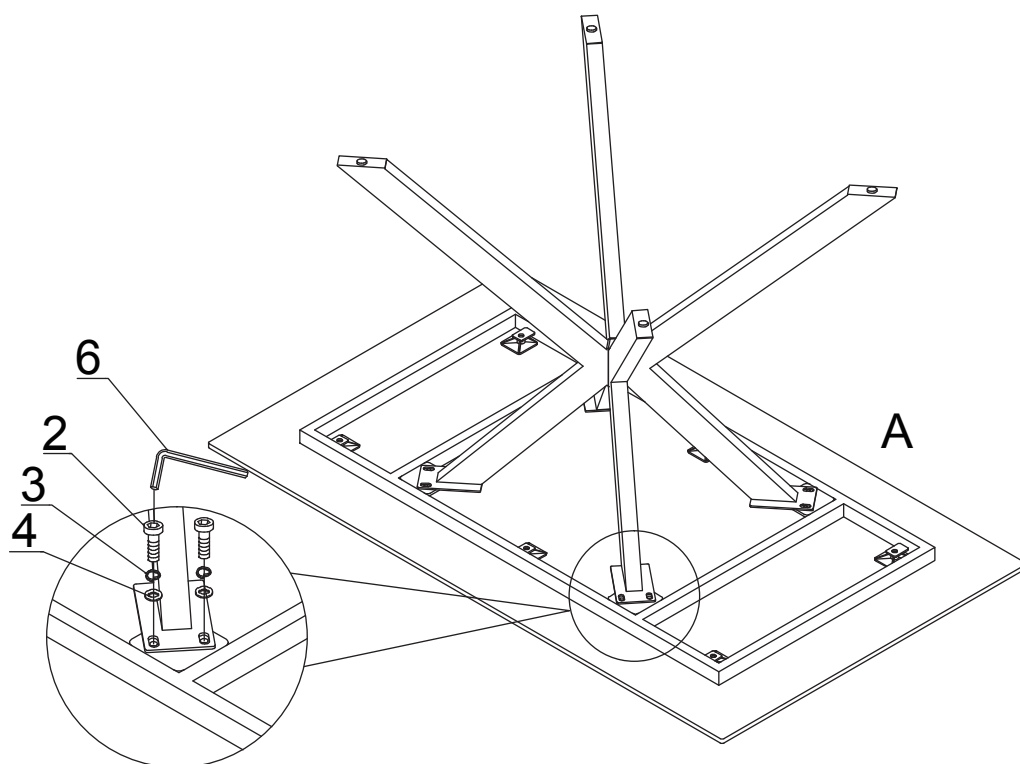
Ref	Dimensions	Qty
3	 ∅8	8
4	 ∅8	8
5		1
6	 5mm	1
7	 4mm	1
8		2

TT01/KS03 - 135cm Fixed Dining Table Assembly Instructions

1



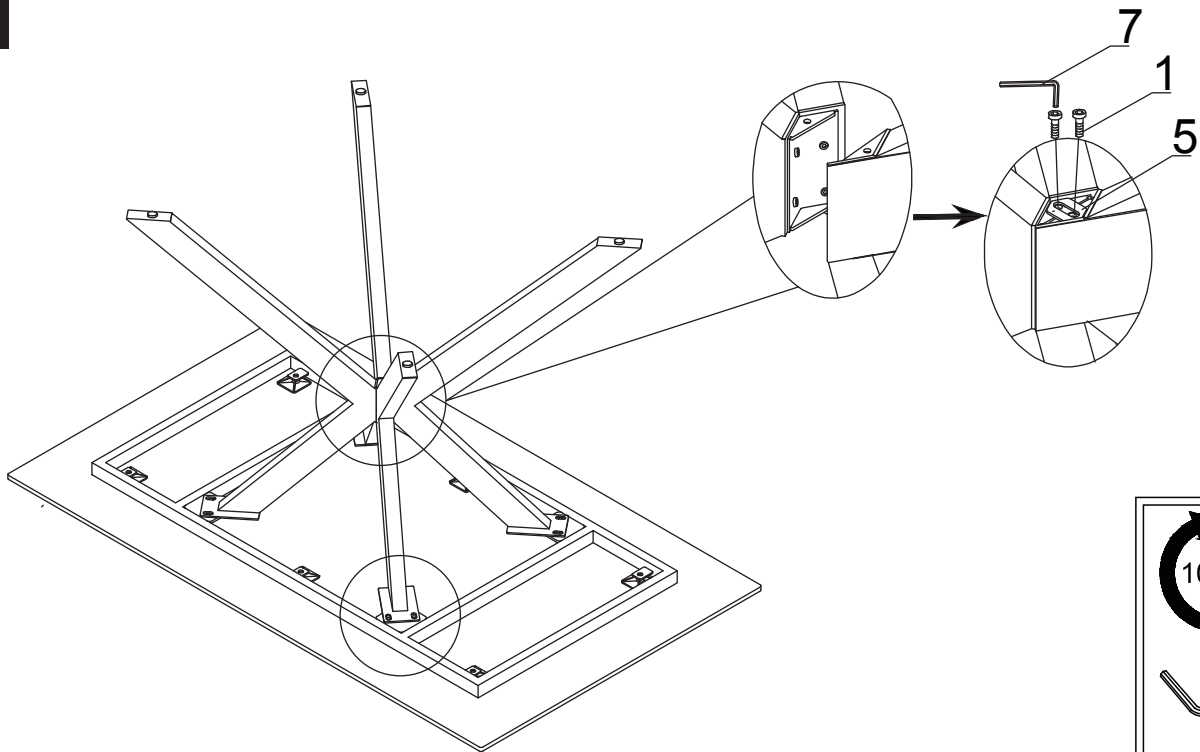
2



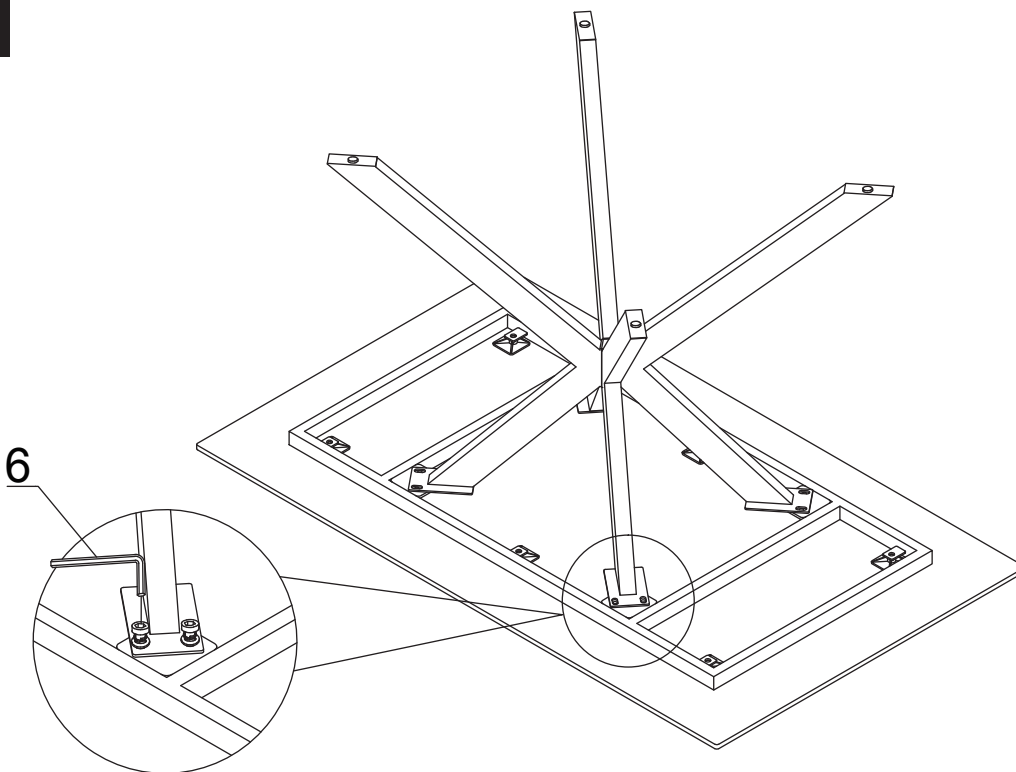
TT01/KS03 - 135cm Fixed Dining Table

Assembly Instructions

3

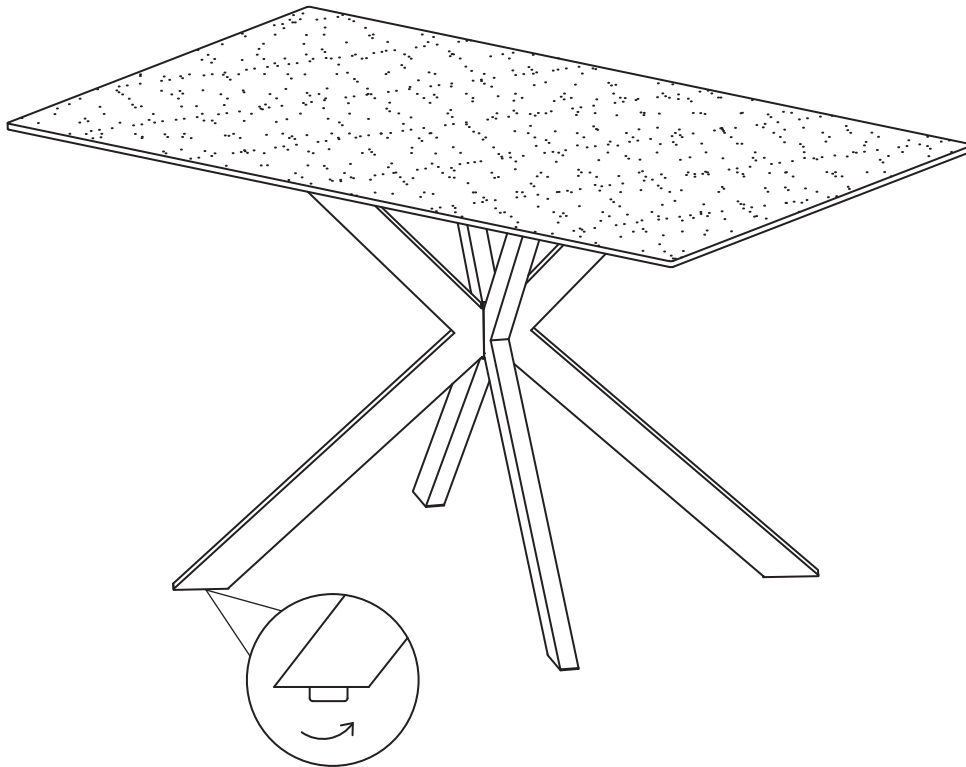


4



TT01/KS03 - 135cm Fixed Dining Table Assembly Instructions

5



Your furniture is fitted with adjustable feet, if required these can be used to correct any wobbling . Simply rotate the adjustable feet as required to ensure the furniture is stable.