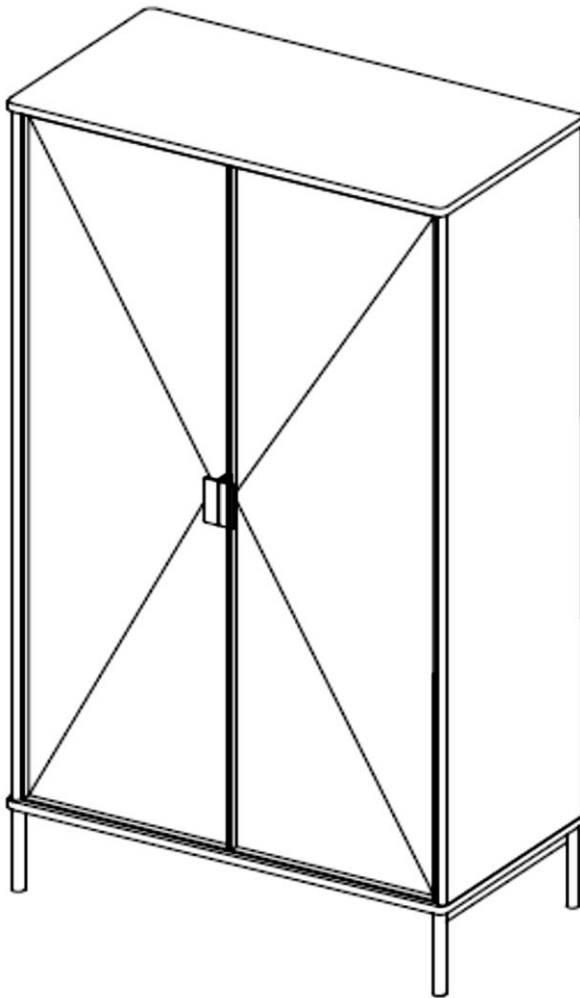

RP04 - RAPHIA WARDROBE

Assembly Instructions

Product Size: H190cm x W110cm x D60cm



Please retain for future reference

RP04 - RAPHIA WARDROBE

Assembly Instructions

Before You Start

Warnings

Please retain these instructions for future reference.

- > Keep fittings out of children's reach and keep children well away from the assembly area.
- > Ensure that this product is only used on firm, level ground.
- > Periodically check all fittings and re-tighten as necessary.
- > Do not sit or stand on your furniture.
- > Avoid exposing the furniture to excessive heat or direct sunlight, as this can cause deterioration of the colour.
- > Wood will mellow and change colour over time, we recommend that ornaments and items placed on the surface are moved regularly for the first few months to prevent uneven mellowing.

Number of People Required to Assemble

4 persons are required to assemble this item.

Time to Assemble

Approximately 45 minutes required to assemble this item.

Tools required



Missing Parts or Issues

If you have any problems, please don't hesitate to get in touch with your retailer directly.

Do

- > Spend a short time reading through this leaflet before you start.
- > When you are ready to start, make sure that you have the right tools and plenty of space.
- > Unwrap all packaging materials and place components on a clean surface to protect them from damage.
- > The packaging should be used to protect the product during assembly.
- > Carefully check that you have all parts before beginning assembly.
- > The furniture should be assembled in the room that it is intended to be used in.
- > Ensure the product is fully assembled as shown, and that all fixings are fully tightened before use.
- > Wipe occasionally with a soft cloth slightly dampened with water, then buff with a dry clean soft cloth.

Don't

- > Do not drag or pull your furniture.
- > Do not use silicone based furniture polish. Silicone in furniture polishes can break down the finish.
- > Never allow any kind of liquid to remain on your furniture.
- > Absorption can cause wood to warp or finishes to delaminate.
- > Do not place hot items (e.g. hot drinks) directly on to the surface. Make sure you always use a placemat or coaster.

RP04 - RAPHIA WARDROBE

Assembly Instructions

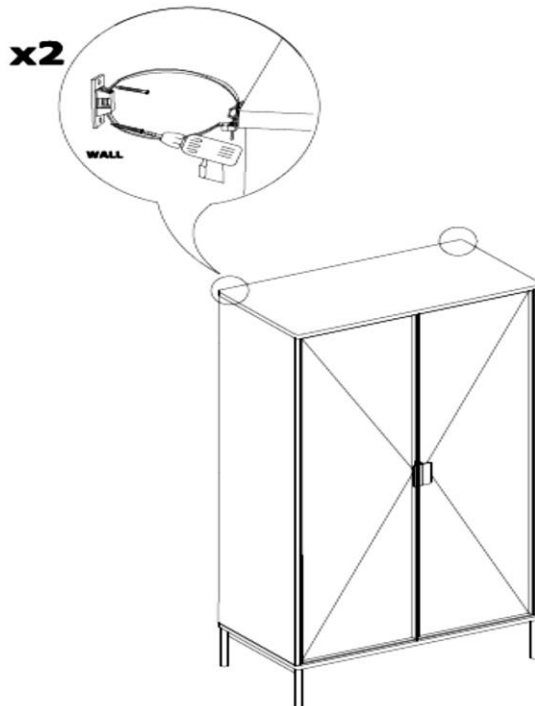
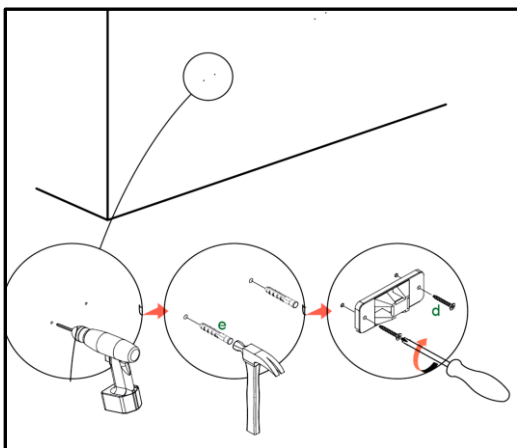
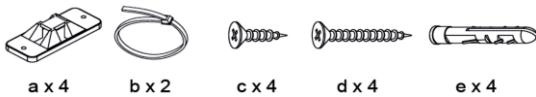
WARNING!

In order to prevent overturning this product must be used with the wall attachment device provided. Serious or fatal crushing injuries can occur from furniture overturning. To help prevent this :

- . **Use the wall attachment devices provided**
- . **Never allow children to climb or hang on drawers, doors or shelves**
- . **Do not overload drawers**
- . **Place heaviest items in the lower drawers or shelves**
- . **Unless specifically designed to accommodate, do not set TV's or other heavy objects on top of this product**
- . **Never open more than one drawer at a time**

An attachment device is provided with your product. Fixings may be included, however please ensure that these are suitable for your wall type. If they are not, you will need to source suitable fixings for your wall type. **If in doubt consult a qualified trades person.**

Always ensure that any walls being drilled into are free from hidden electrical wires, water, and gas pipes. **If in doubt consult a qualified trades person.**


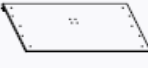




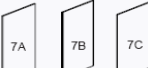
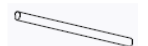
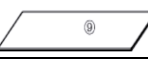



RP04 - RAPHIA WARDROBE

Assembly Instructions

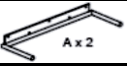
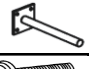


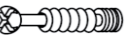
Getting to Know your Product

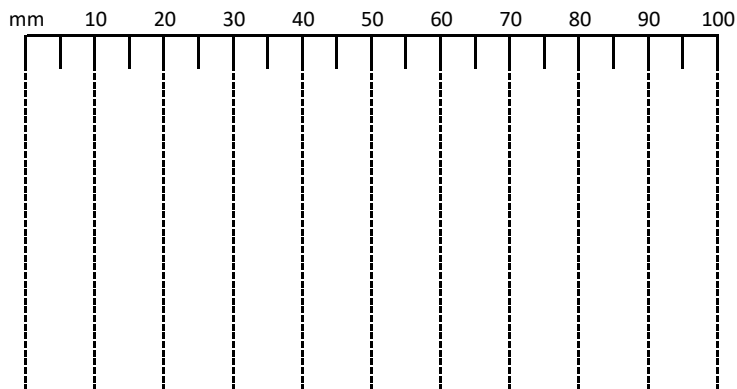
Components supplied. Please use this guide if you require replacement parts.

#	NAME	Visual	Qty	Ctn
1	RIGHT SIDE PANEL			
2	BOTTOM			
3	LEFT SIDE PANEL			
4	TOP SHELF			
5	BOTTOM SHELF			
6	TOP			
7	BACK PANEL			
8	MATEL HANGER			
9	RIGHT SIDE DOOR			
10	LEFT SIDE DOOR			


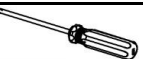
Fixtures and Fittings

Main Fixtures and Fittings Supplied (To Scale)

Ref	Dimensions	Qty
A	 A x 2	2
B		1
C	 M6x16	14
D	 M8x16	14
E		26

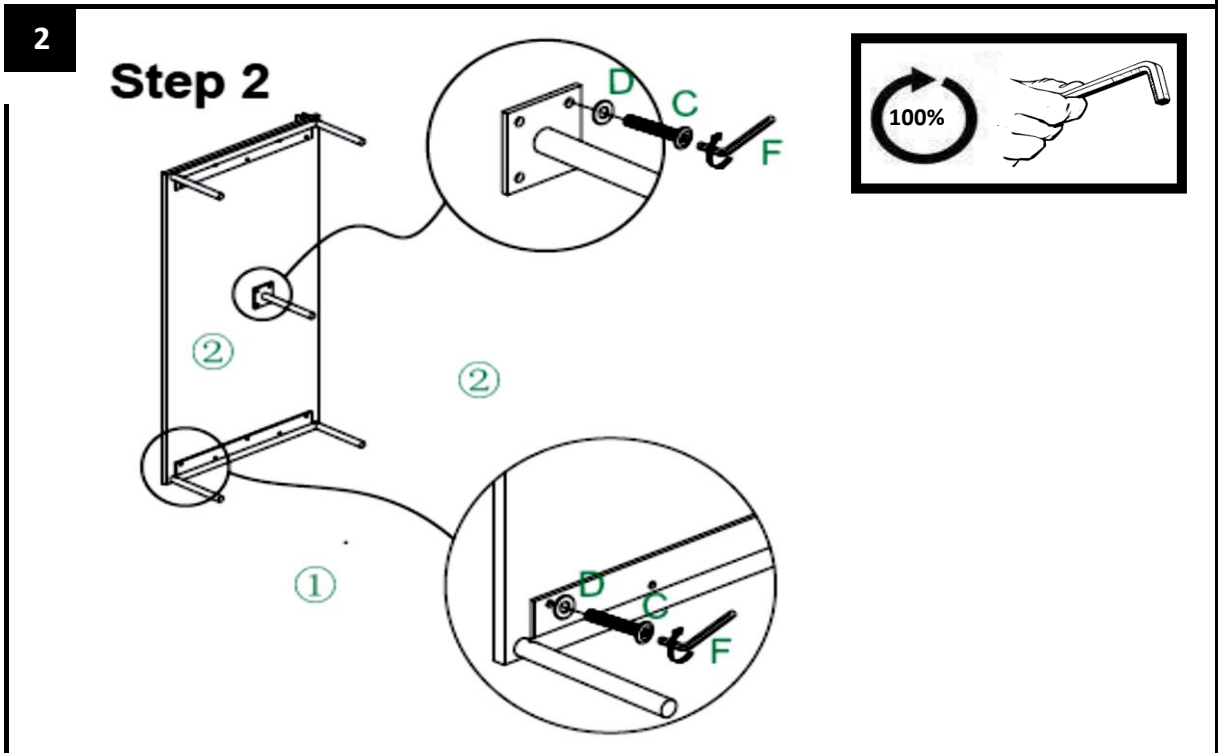
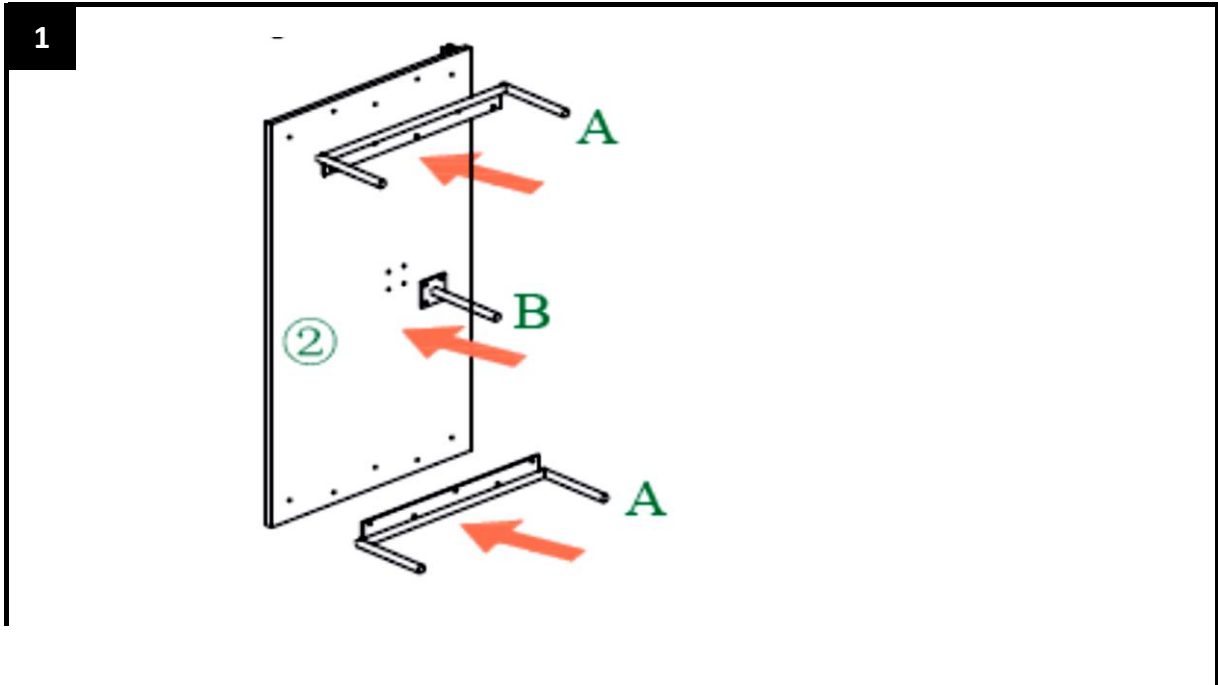


Other Fixtures and Fittings Supplied (Not To Scale)

Ref	Dimensions	Visual	Qty
F	4MM		1
G			1

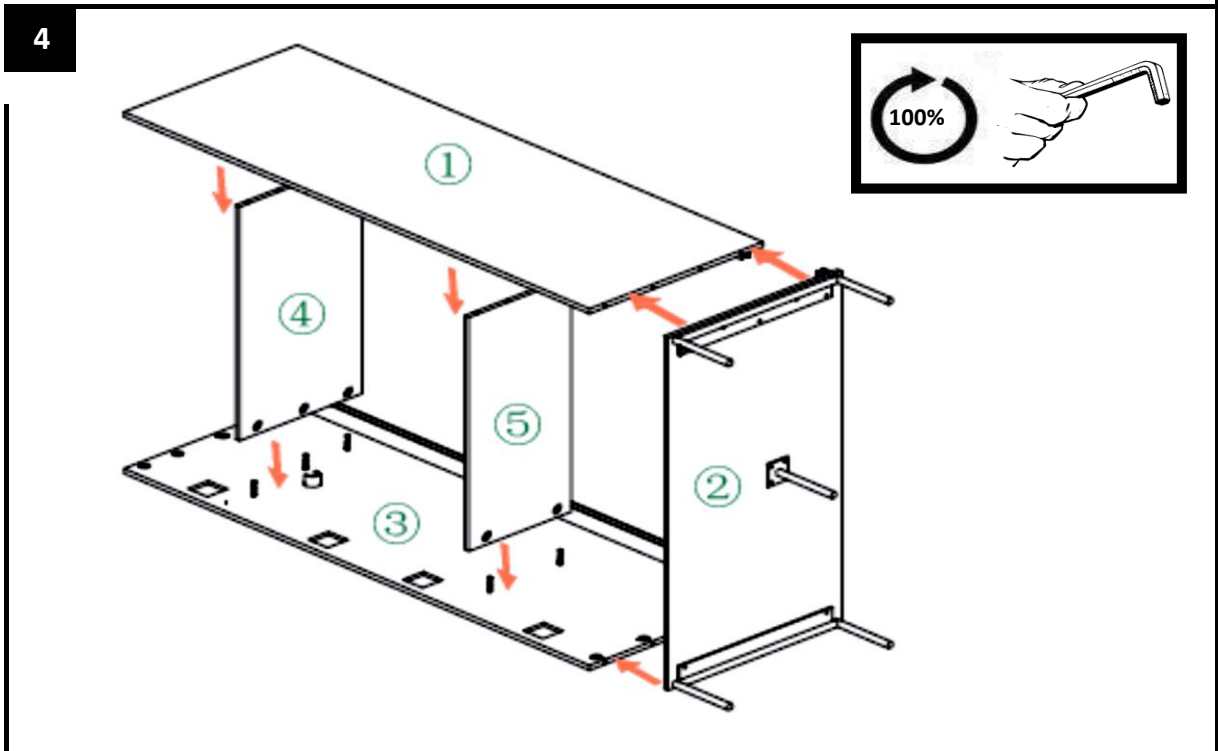
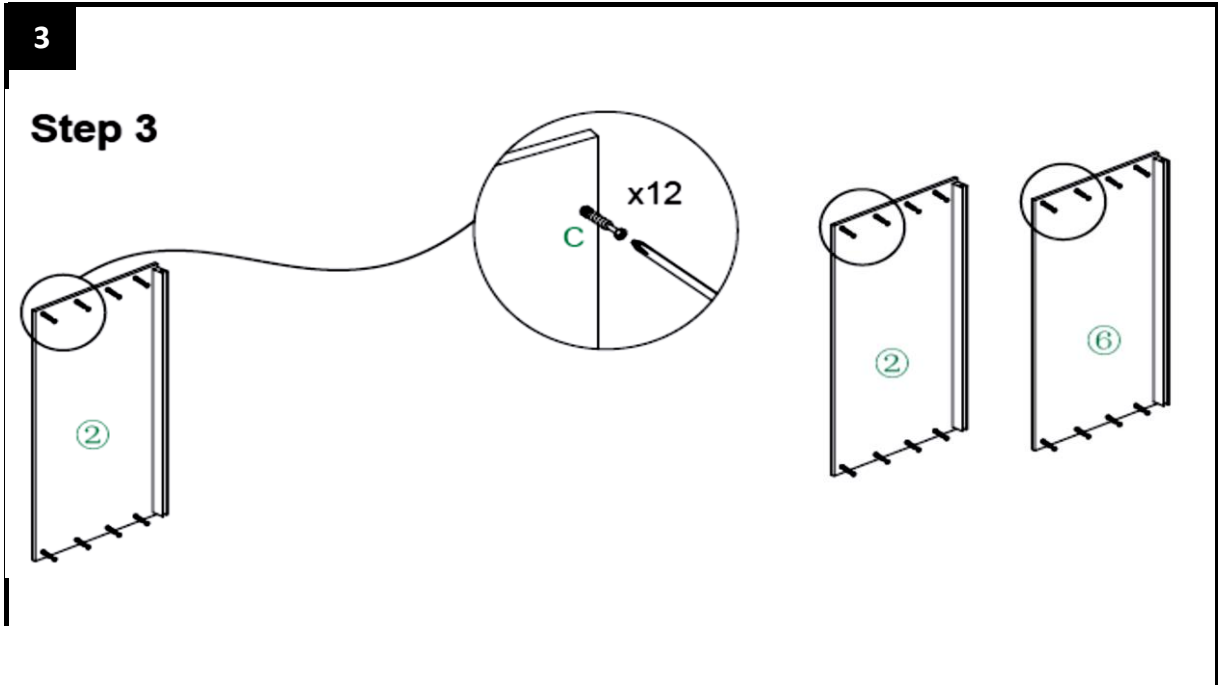
RP04 - RAPHIA WARDROBE

Assembly Instructions



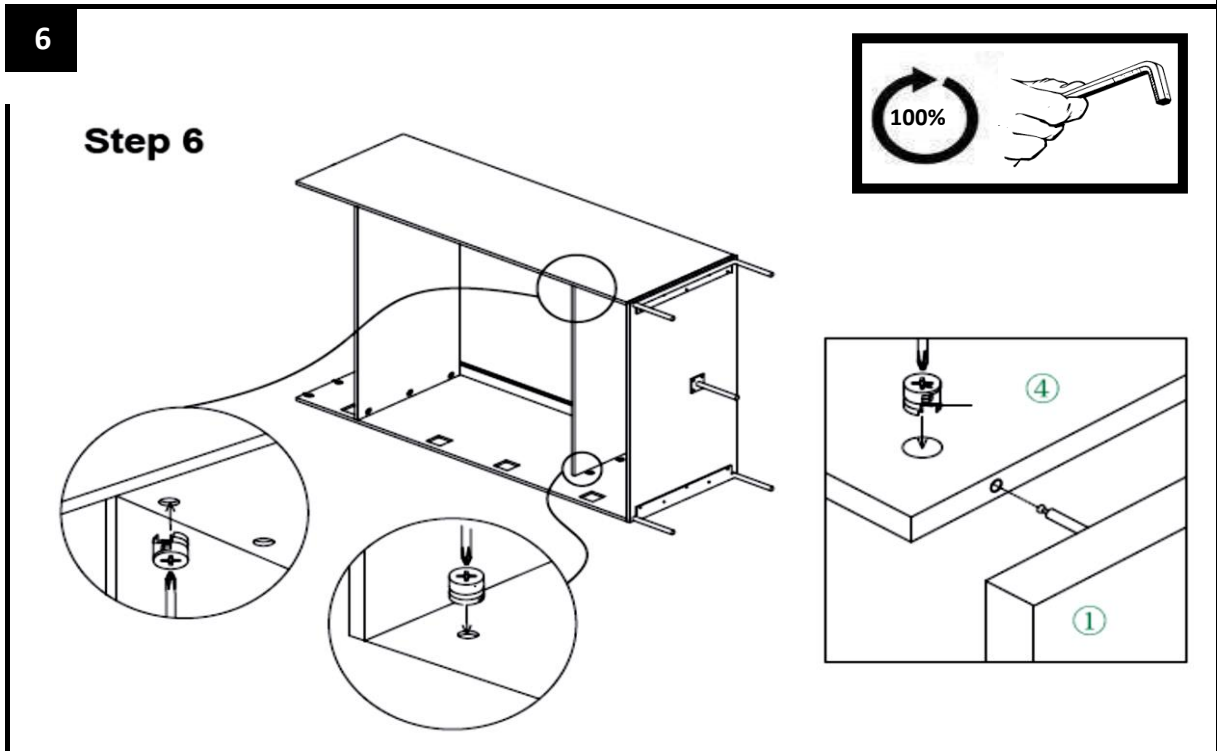
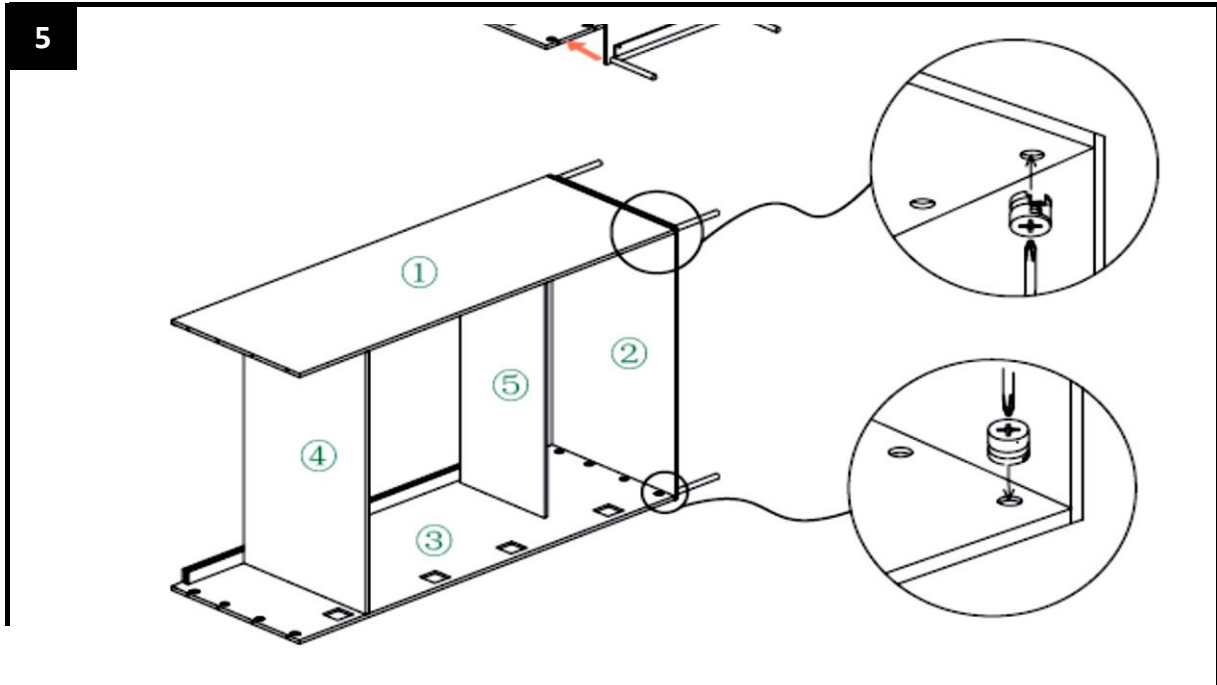
RP04 - RAPHIA WARDROBE

Assembly Instructions



RP04 - RAPHIA WARDROBE

Assembly Instructions

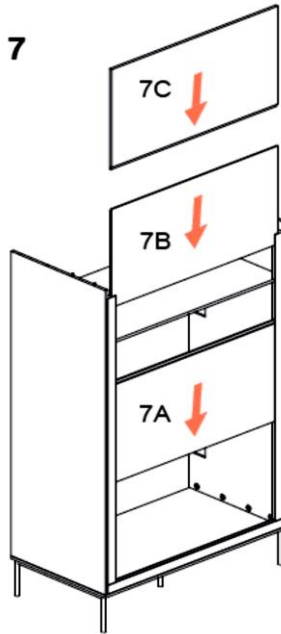


RP04 - RAPHIA WARDROBE

Assembly Instructions

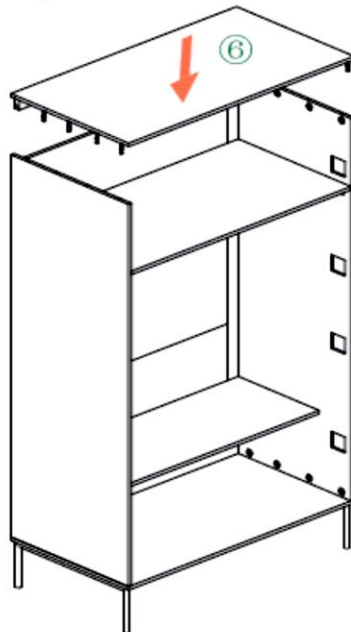
7

Step 7



8

Step 8

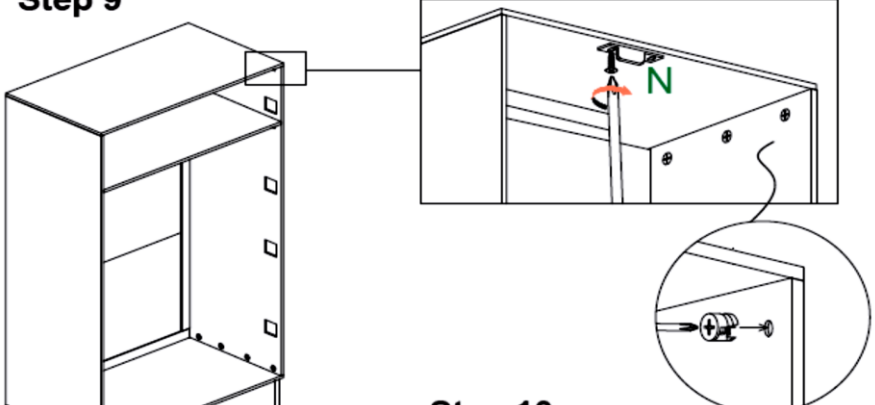


RP04 - RAPHIA WARDROBE

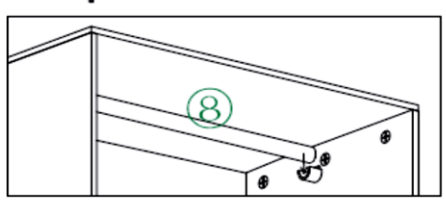
Assembly Instructions

9


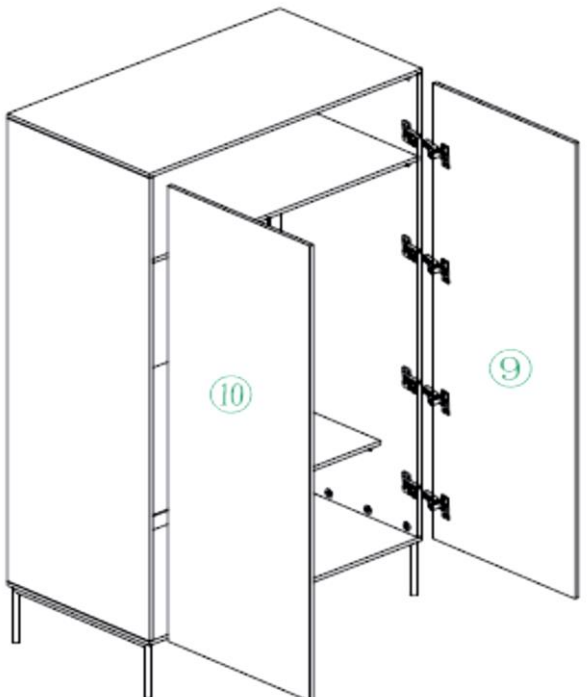
Step 9



Step 10



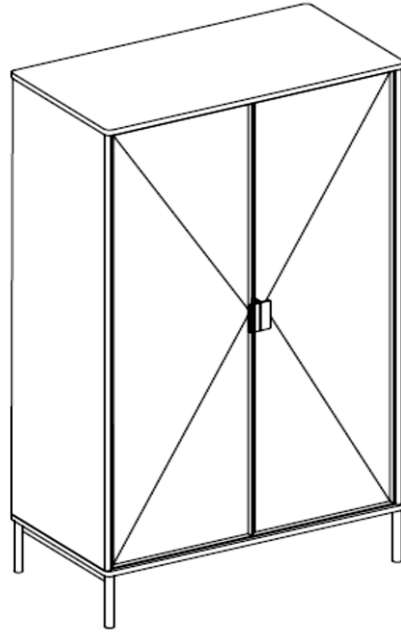
10



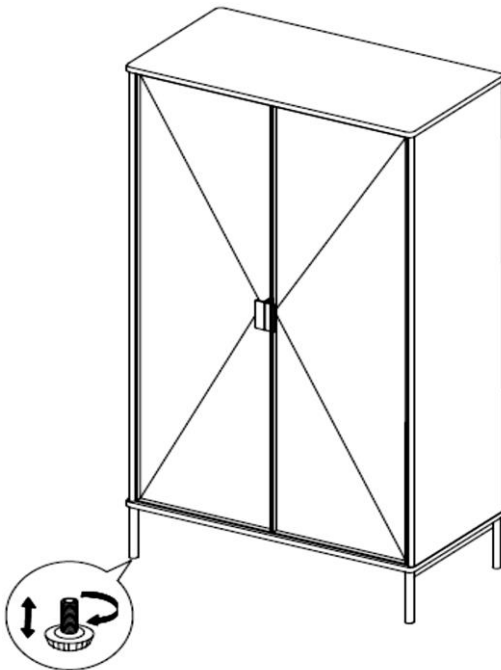
RP04 - RAPHIA WARDROBE

Assembly Instructions

11



12



Your furniture is fitted with adjustable feet, if required these can be used to correct any wobbling. Simply rotate the adjustable feet as required to ensure the furniture is stable.

RP04 - RAPHIA WARDROBE

Care Guide

Made Of Mango wood, MDF , Metal and Travertine

Travertine stone and wood are both natural materials, across each piece you will be able to see and appreciate the unique markings and colours.

These natural features enhance the beauty and individuality of your furniture, they should not be considered as imperfections.

As a natural material wood will continue to move and be affected by its surroundings. Changes in humidity and temperature can lead to warping and/or cracks in the wood. Therefore, it is advisable not to place your furniture against a direct heat source or air conditioning unit.

Over time, with changes in the atmosphere and light, the wood will mellow.

To ensure an even tone we recommend that it is not left in direct sunlight and any objects placed on the furniture should be regularly moved around to help avoid colour differences.

Due to the nature of the stone tops they are porous and any spills should be wiped up immediately.

General care

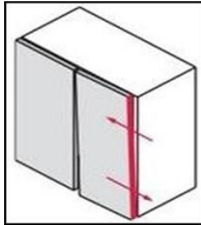
- Assemble the product in the room intended for use.
- Always lift your furniture to move it, never drag or push it as this can cause damage.
- Regularly check all fixings and tighten if necessary.
- Wipe with a soft, slightly damp, lint free cloth. Buff with a dry, clean cloth.
- Wipe up spills immediately, never leave liquids sitting on the surface as this can damage the finish.
- Always use mats and coasters to protect the surface when in use.
- Never place hot items directly onto the surface.
- Do not use silicon-based furniture polish as the silicon can affect the finish.

RP04 - RAPHIA WARDROBE

Hinge Adjustment

Door Adjustment

1. Side Adjustment

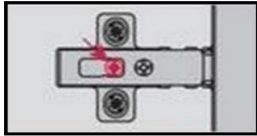


The right and left sides of the door panel are not flush with the side panels.

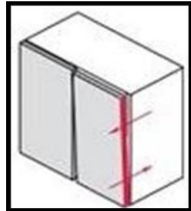
To move the door towards or away from the centre of the unit, loosen the screw indicated by the red arrow.

Adjust the position of the door and once it is in the required position retighten the screw.

Adjustments should be done only when the unit is in place.



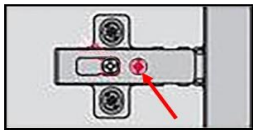
2. Depth Adjustment



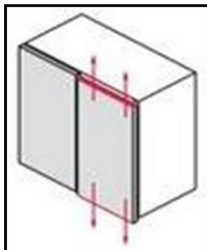
The door will appear too far or too close to the unit.

To move the door towards or away from the unit, adjust the screw indicated by the red arrows and move the door towards or away from the unit until there is an even gap between the door and the unit.

Adjustment should be done only when the unit is in place.



3. Height Adjustment



The top and bottom of the door will not be flush with the unit.

To move the door up or down loosen the screws indicated by the red arrows on all hinges.

Adjust the position of the door and retighten all screws.

Adjustment should be done only when the unit is in place.

