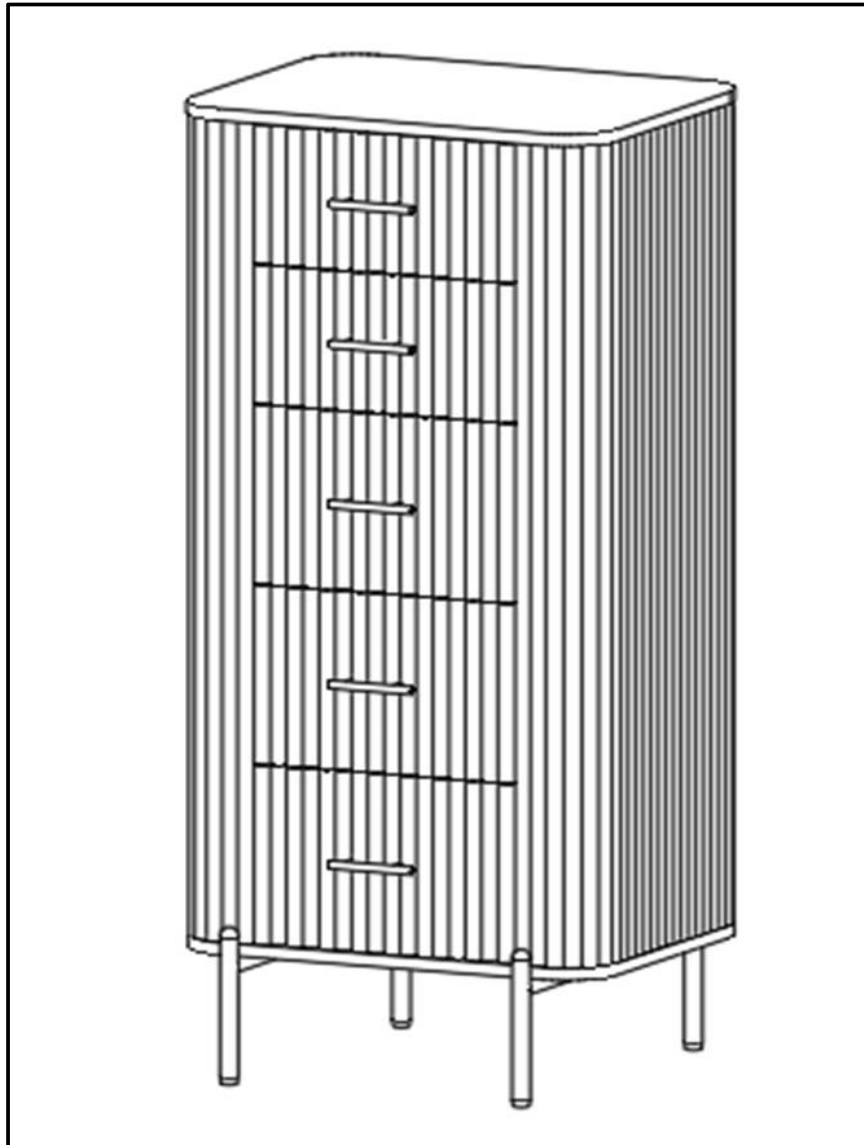

FIVE DRAWER CHEST

Assembly Instructions

Product Size: H120cm x W51.3cm x D40.6cm



Please retain for future reference

FIVE DRAWER CHEST

Assembly Instructions

Before You Start

Warnings

Please retain these instructions for future reference.

- > Keep fittings out of children's reach and keep children well away from the assembly area.
- > Ensure that this product is only used on firm, level ground.
- > Periodically check all fittings and re-tighten as necessary.
- > Do not sit or stand on your furniture.
- > Avoid exposing the furniture to excessive heat or direct sunlight, as this can cause deterioration of the colour.
- > Wood will mellow and change colour over time, we recommend that ornaments and items placed on the surface are moved regularly for the first few months to prevent uneven mellowing.

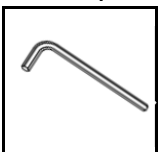
Number of People Required to Assemble

2 persons are required to assemble this item.

Time to Assemble

Approximately 30 minutes required to assemble this item.

Tools required



Missing Parts or Issues

If you have any problems, please don't hesitate to get in touch with your retailer directly.

Do

- > Spend a short time reading through this leaflet before you start.
- > When you are ready to start, make sure that you have the right tools and plenty of space.
- > Unwrap all packaging materials and place components on a clean surface to protect them from damage.
- > The packaging should be used to protect the product during assembly.
- > Carefully check that you have all parts before beginning assembly.
- > The furniture should be assembled in the room that it is intended to be used in.
- > Ensure the product is fully assembled as shown, and that all fixings are fully tightened before use.
- > Wipe occasionally with a soft cloth slightly dampened with water, then buff with a dry clean soft cloth.

Don't

- > Do not drag or pull your furniture.
- > Do not use silicone based furniture polish. Silicone in furniture polishes can break down the finish.
- > Never allow any kind of liquid to remain on your furniture.
- > Absorption can cause wood to warp or finishes to delaminate.
- > Do not place hot items (e.g. hot drinks) directly on the surface. Make sure you always use a placemat or coaster.

FIVE DRAWER CHEST

Assembly Instructions

WARNING!

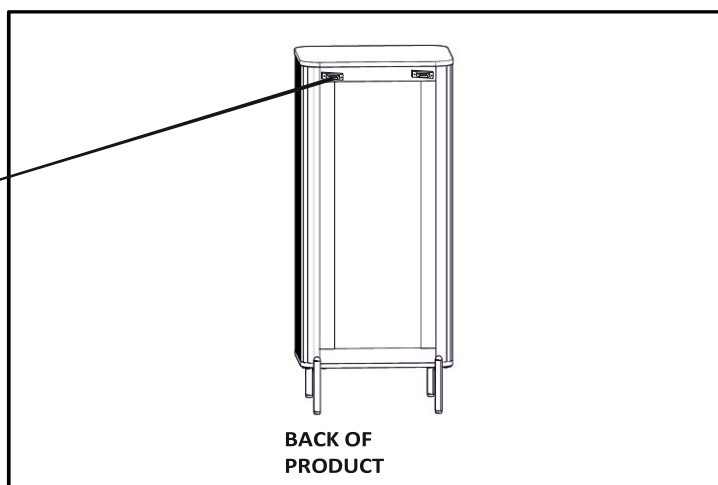
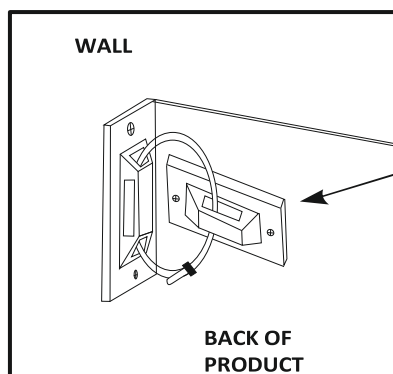
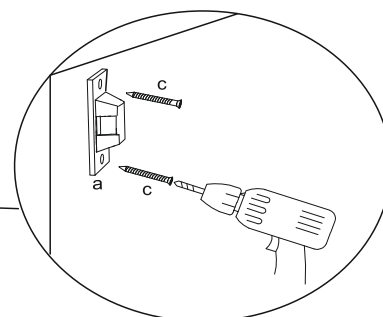
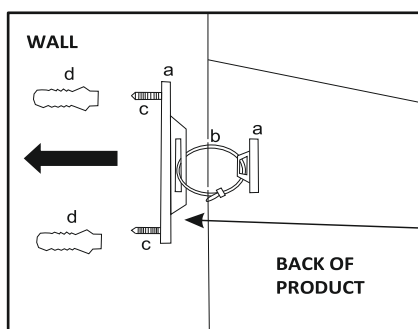
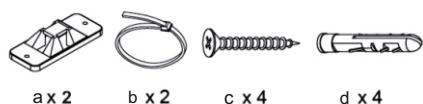
In order to prevent overturning this product must be used with the wall attachment device provided.

Serious or fatal crushing injuries can occur from furniture overturning. To help prevent this :

- . Use the wall attachment devices provided
- . Never allow children to climb or hang on drawers, doors or shelves
- . Do not overload drawers
- . Place heaviest items in the lower drawers or shelves
- . Unless specifically designed to accommodate, do not set TV's or other heavy objects on top of this product
- . Never open more than one drawer at a time

An attachment device is provided with your product. Fixings may be included, however please ensure that these are suitable for your wall type. If they are not, you will need to source suitable fixings for your wall type. **If in doubt consult a qualified trades person.**

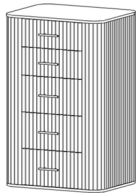
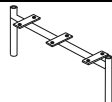

Always ensure that any walls being drilled into are free from hidden electrical wires, water, and gas pipes. **If in doubt consult a qualified trades person.**



FIVE DRAWER CHEST Assembly Instructions




Getting to Know your Product

Components supplied. Please use this guide if you require replacement parts.


#	NAME	Visual	Qty	Ctn
1	Carcase		1	
2	Metal Legs		2	
3	DrawerHandle		5	

Fixtures and Fittings

Main Fixtures and Fittings Supplied (To Scale)

Ref	Dimensions	Qty
A	 M6x16	12
B	 M6x16	12
C	 4x50	10

Other Fixtures and Fittings Supplied (Not To Scale)

Ref	Dimensions	Visual	Qty
D	4MM		1

FIVE DRAWER CHEST

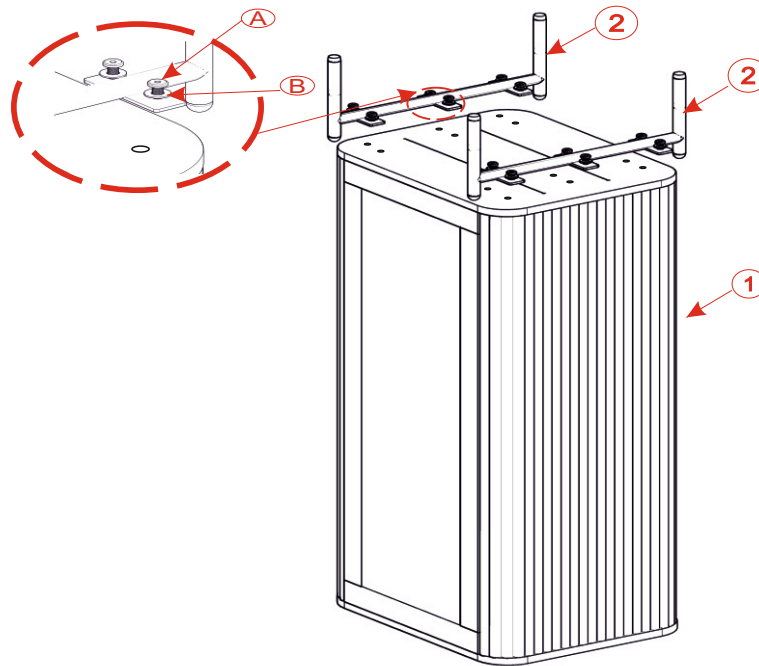
Assembly Instructions

NOTE :- EMPTY ALL FITTINGS AND ACCESSORIES FROM ALL DRAWERS PRIOR TO STARTING TO PREVENT ITEMS FROM MOVING INSIDE

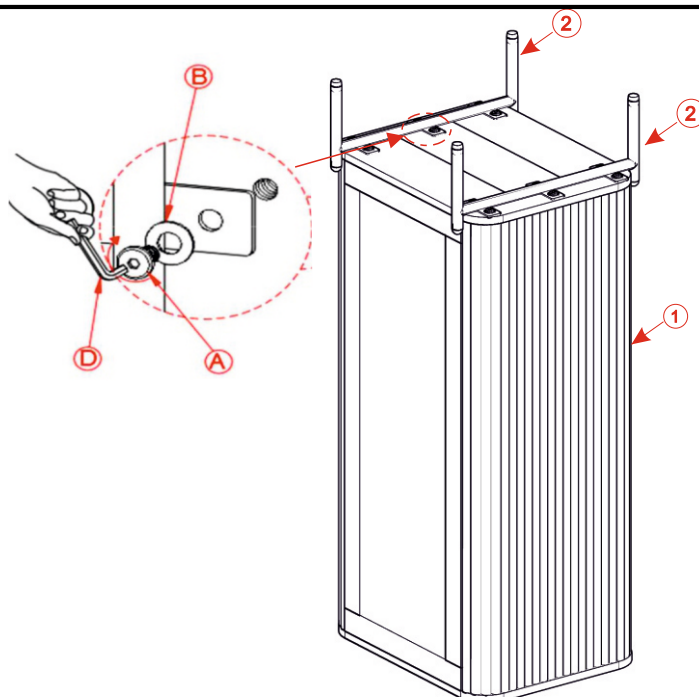
NOTE :- CAREFULLY TURN CARCASE UPSIDE DOWN ONTO PROTECTIVE MATERIAL IN ORDER TO FIT UNDERFRAME ASSEMBLY

NOTE :- CAREFULLY TURN PRODUCT OVER, TAKING CARE NOT TO PIVOT THE WEIGHT OF THE ITEM OVER THE BACK LEGS.

1



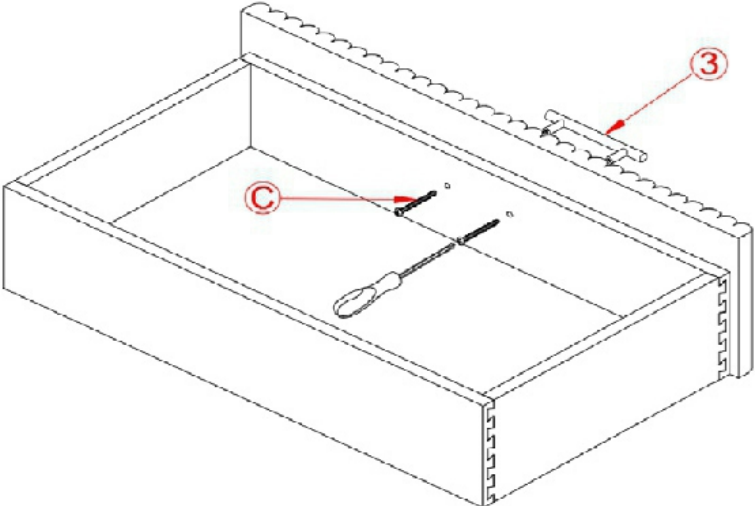
2



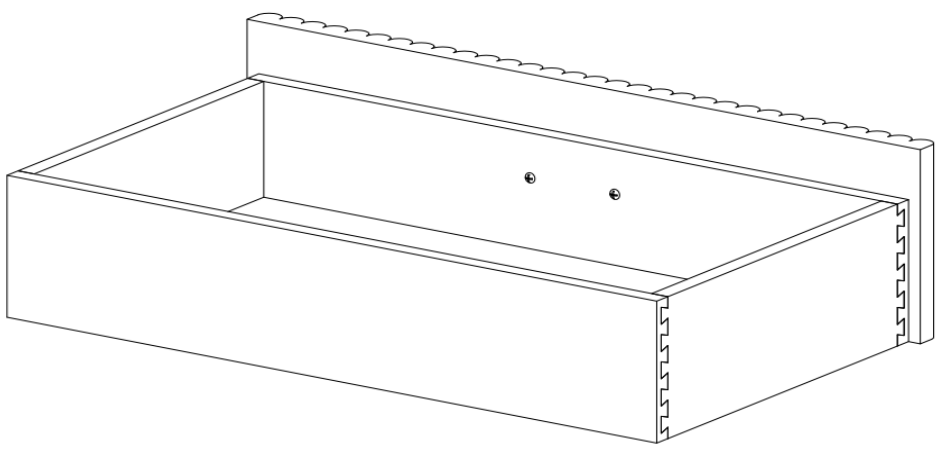
FIVE DRAWER CHEST

Assembly Instructions

3



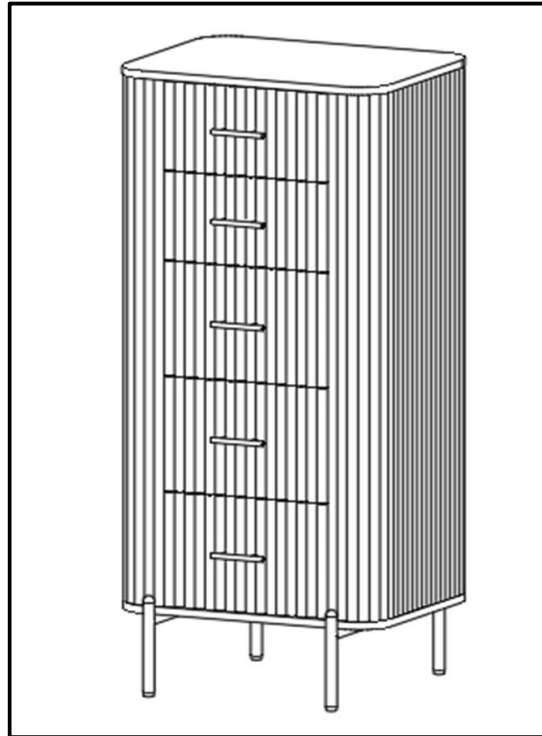
4



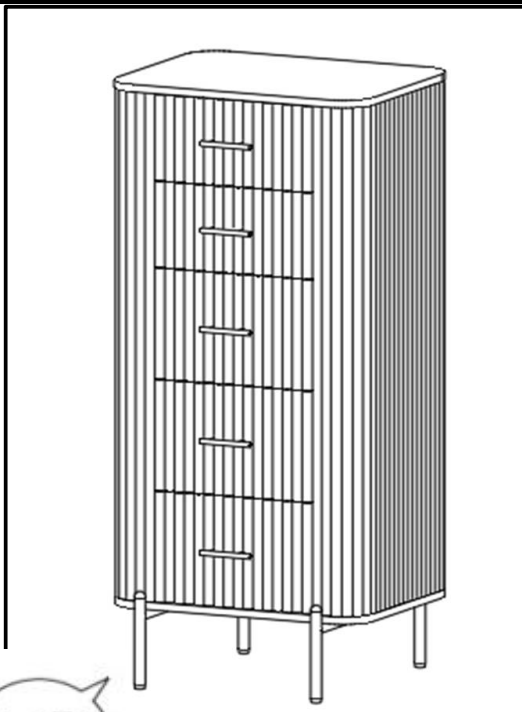
FIVE DRAWER CHEST

Assembly Instructions

5



6



Your furniture is fitted with adjustable feet, if required these can be used to correct any wobbling. Simply rotate the adjustable feet as required to ensure the furniture is stable.

FIVE DRAWER CHEST

Care Guide

Made of Mango wood, MDF and Marble

Marble and wood are both natural materials, across each piece you will be able to see and appreciate the unique markings and colours.

These natural features enhance the beauty and individuality of your furniture, they should not be considered as imperfections.

As a natural material wood will continue to move and be affected by its surroundings. Changes in humidity and temperature can lead to warping and/or cracks in the wood. Therefore, it is advisable not to place your furniture against a direct heat source or air conditioning unit.

Over time, with changes in the atmosphere and light, the wood will mellow.

To ensure an even tone we recommend that it is not left in direct sunlight and any objects placed on the furniture should be regularly moved around to help avoid color differences.

Don't use harsh cleaners - Never use abrasive scrubbers or rough-woven cloths that could scratch marble.

Marble Care:

Use trivets to protect the table from the heat damage.

Use cutting boards.

Avoid dragging the objects across the top.

Use dry dusters.

In the case of spillage, kindly clean the surface immediately with a dry cloth.

General care:

Assemble the product in the room intended for use.

Always lift your furniture to move it ,never drag or push it as this can cause damage.

Regularly check all fixing and tighten if necessary.

Dust regularly with a clean, soft, lint free cloth.

Wipe up spills immediately, never leave liquids sitting on the surface as this can damage the finish.

Always use mats and coasters to protect the surface when in use.

Do not use silicon based furniture polish as the silicon can affect the finish.