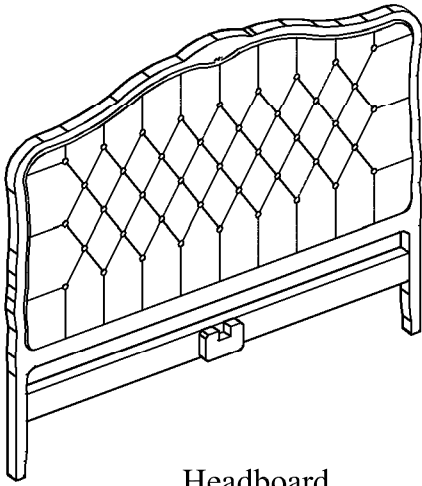
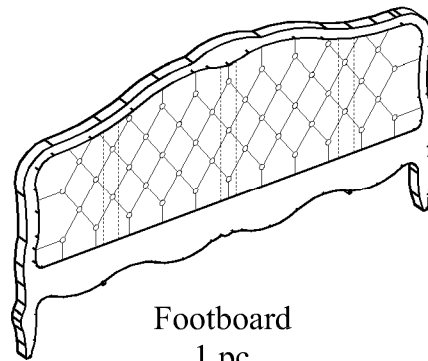


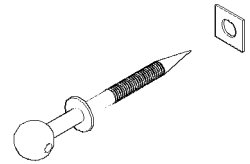
**The 135cm Bedstead is supplied with the following part :**



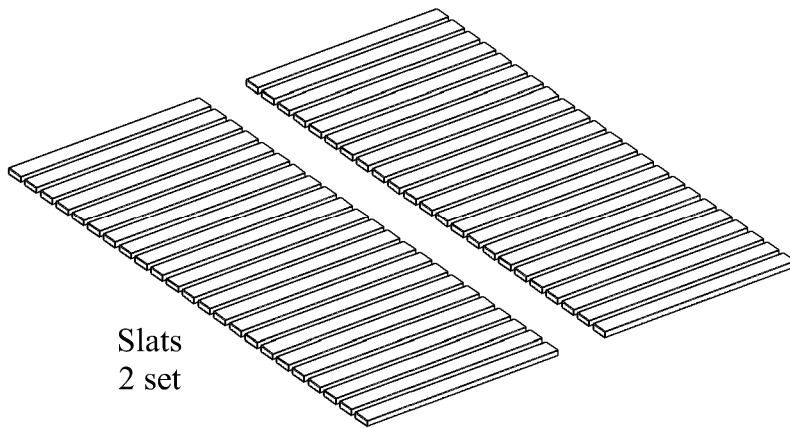
Headboard  
1 pc



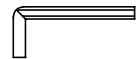
Footboard  
1 pc



Big Bolt - 4 set  
(Attached to the end of Side Rail)



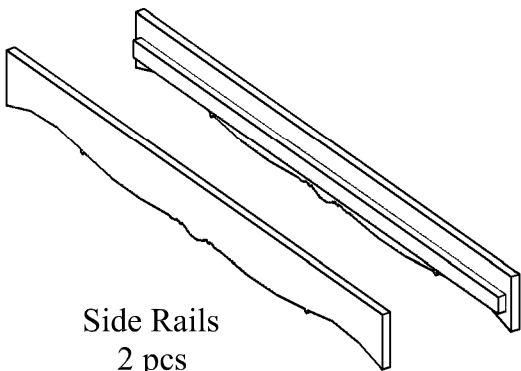
Slats  
2 set



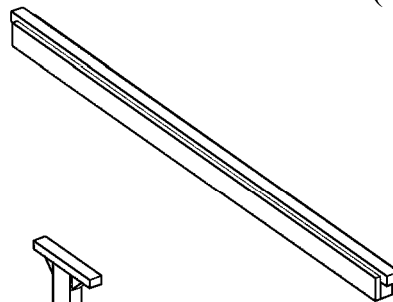
Allen Key  
1 pc



Pin & Nut - 4 set  
(Attached to the internal part of  
Headboard / Footboard)



Side Rails  
2 pcs



Beam  
1 pc



Support Leg  
1 pc



Bolt 40mm  
2 pcs

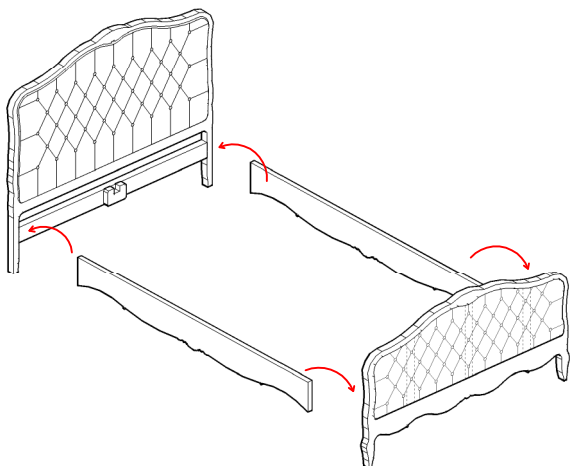
Note :  
Please find the matching code  
(double letter) for these pieces

## Assembly Instructions

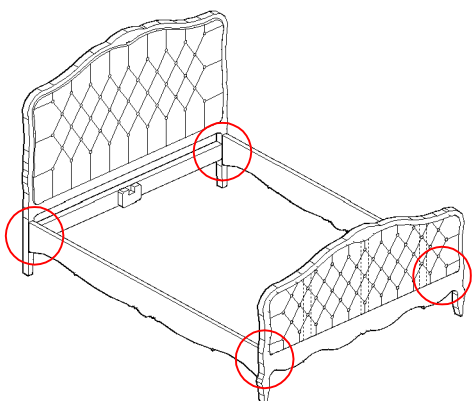
# 135cm Upholstered Bedstead

**Step 1**

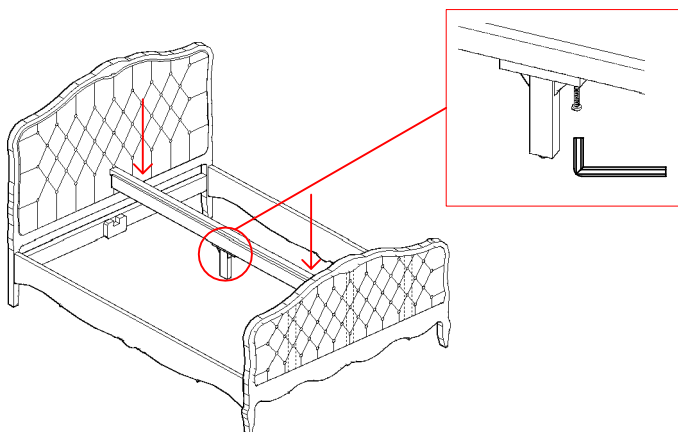
Hook in the Siderail to the Headboard and Footboard matching the number.

**Step 2**

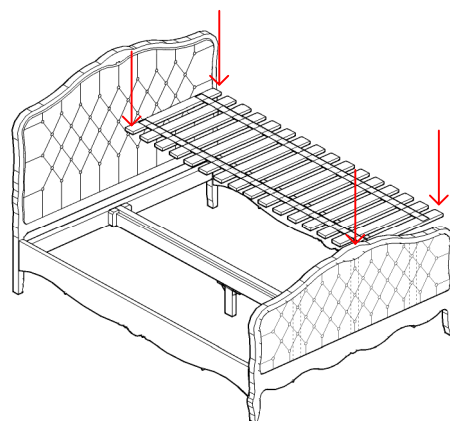
Tightened the Connecting Bolt on the 4 corners.

**Step 3**

Install support legs to beam using bolt. Then, Insert the beam matching the number.

**Step 4**

Laydown the Slat and insert the holes at 4 corners to the pins.

**Fully Asembled**

135cm Bedstead is ready to use.

