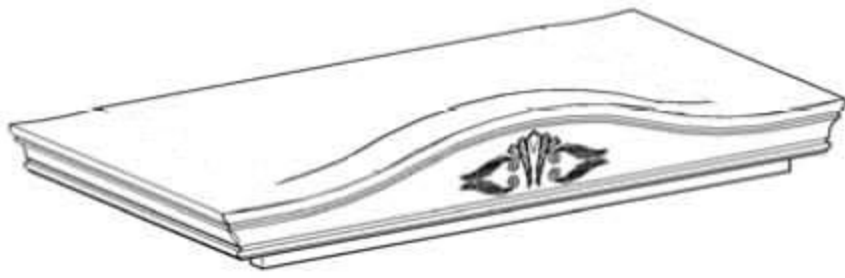


The Double Wardrobe is supplied with the following part :



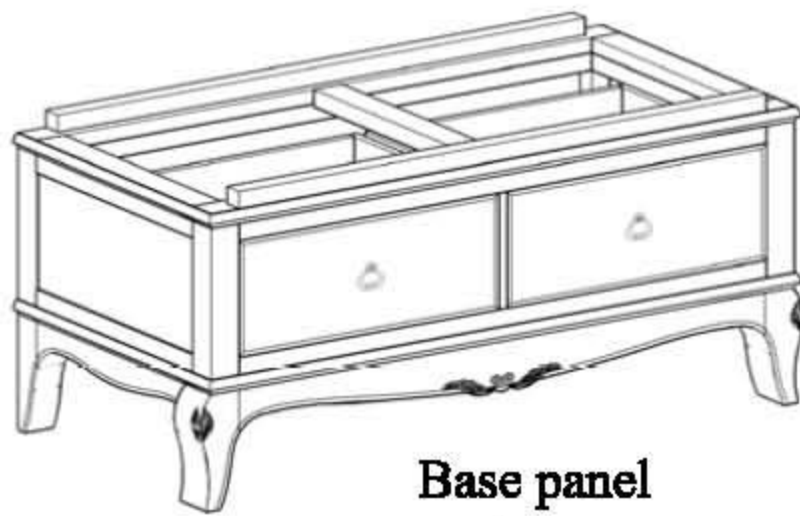
Top Profile
1 pc



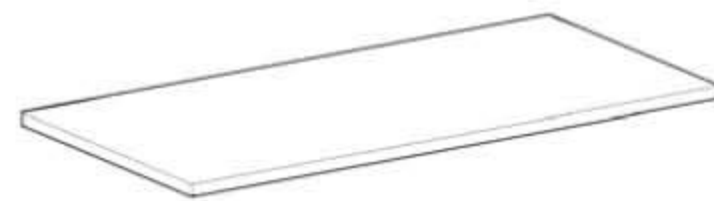
Round wooden bar
1 pc



Base
1 pc



Base panel
1 pc



Shelf
1 pc



Left panel
1 pc



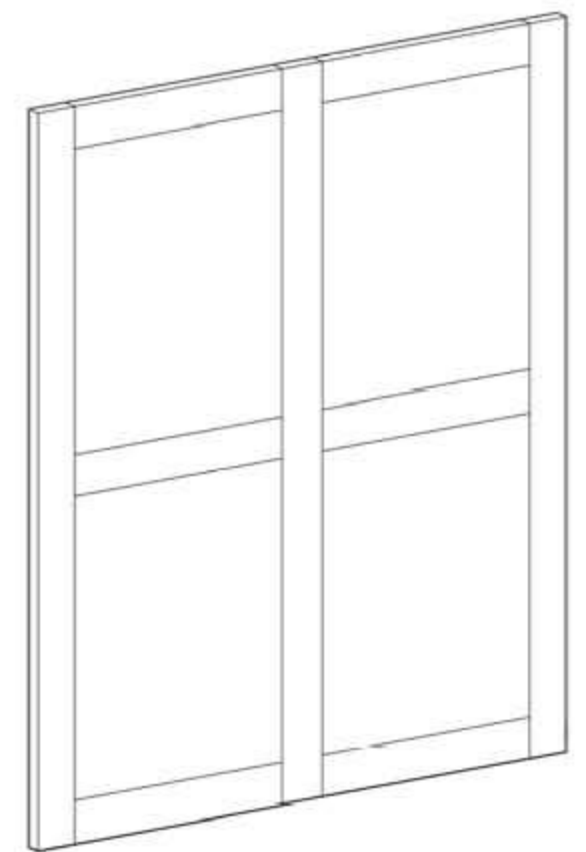
Right panel
1 pc



Left door
1 pc



Right door
1 pc



Back panel
1 pc



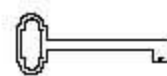
Antitip-kit
1 set



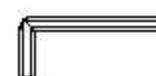
Hand Drill
no included



Shelf Pen
6 pcs



Key
1 pcs



Allen key
1 pc



Bolt 50mm
8 pcs



Screw 1 1/4"
12 pcs



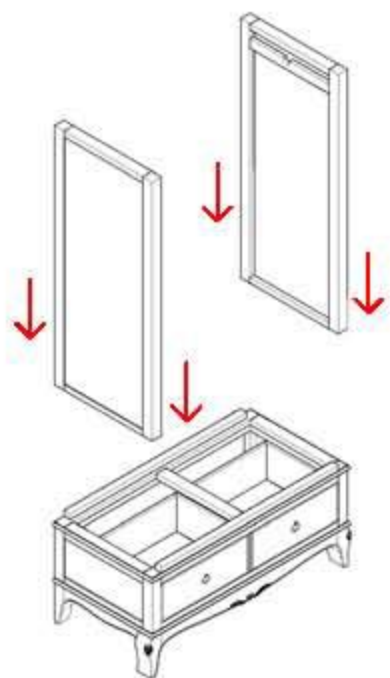
Washer
12 pcs

Assembly Instructions

LM05 - DOUBLE WARDROBE

Step 1

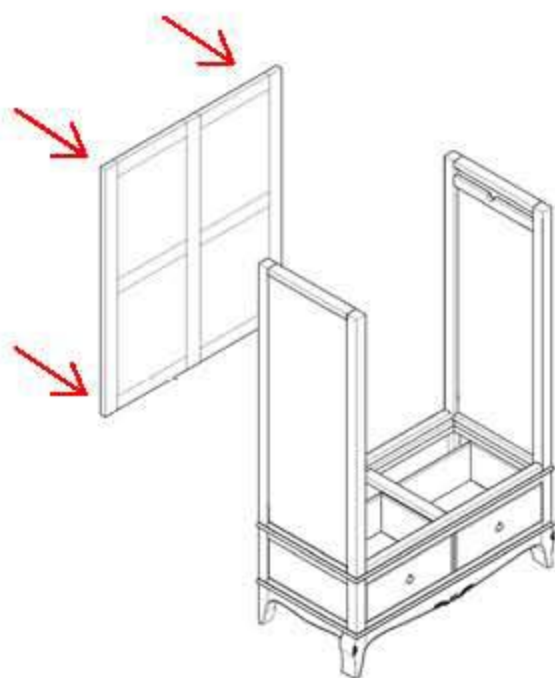
Lay down side panel and base panel.
Install left and right panel to the base using bolt.

**Step 4**

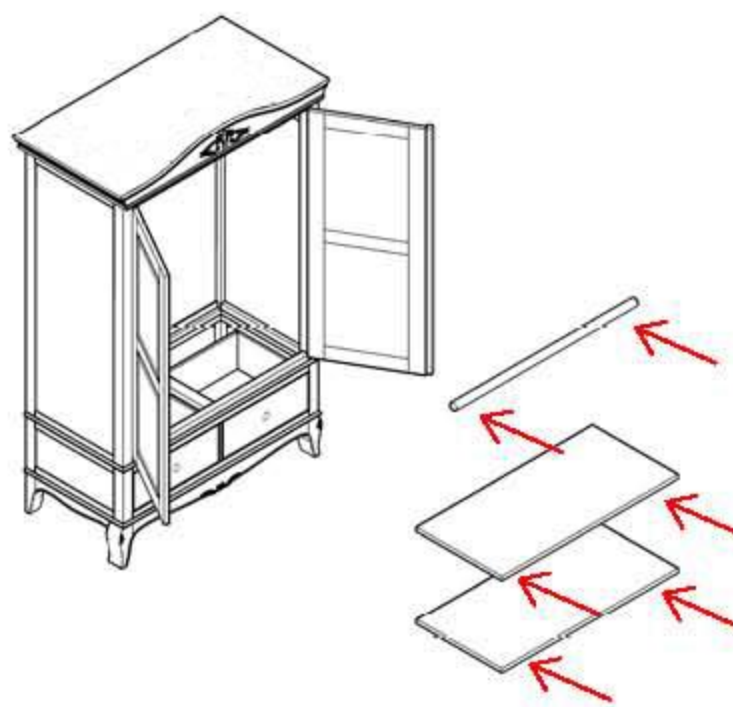
Install the door to the hinges on the side panel.

**Step 2**

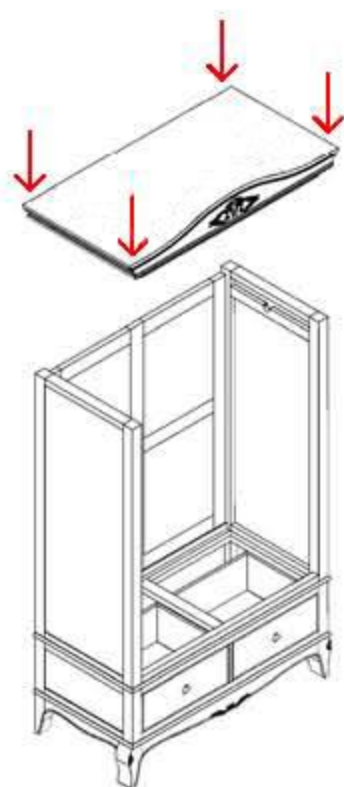
Install back panel to body using screw.

**Step 5**

Install shelf, base and round wooden bar to inside of the wardrobe.

**Step 3**

Install the top profile to the wardrobe body using bolt.



WARNING!

In order to prevent overturning this product must be used with the wall attachment device provided. Serious or fatal crushing injuries can occur from furniture tipping over. To help prevent topple over:

- Use the wall attachment devices provided
- Never allow children to climb or hang on drawers, doors or shelves
- Do not overload drawers
- Place heaviest items in the lower drawers or shelves
- Unless specifically designed to accommodate, do not set TV's or other heavy objects on top of this product
- Never open more than one drawer at a time

An attachment device is provided with your product.

Fixings may be included, however please ensure that these are suitable for your wall type.

If they are not, you will need to source suitable fixings for your wall type.

If in doubt consult a qualified trades person.

Always ensure that the wall to be drilled into is free from hidden electrical wires, water and gas pipes. If in doubt consult a qualified trades person.

- Install anti-tip to the top panel with screw follow pre-drill arrow.
- For the drill point, the middle of the Wardrobe is 615 mm with a height of 1940 mm from the Floor.
- Drill into the wall and insert the correct wall plug.
- Line your unit up with the wall.
- Screw the wall fixing fully into the wall and ensure it is secure.

Carefully move the unit back into position and attach the strap to the bracket using the clip.

