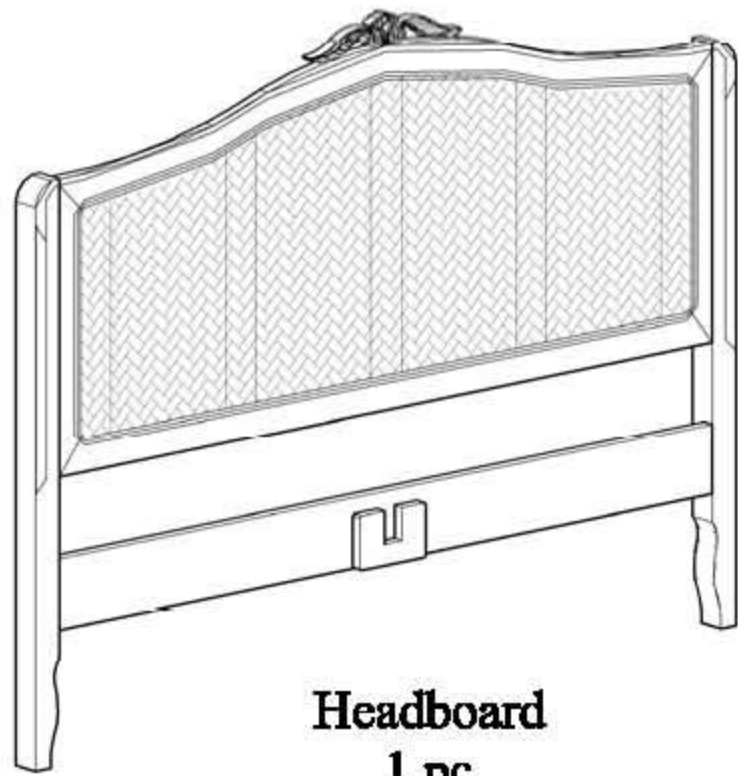
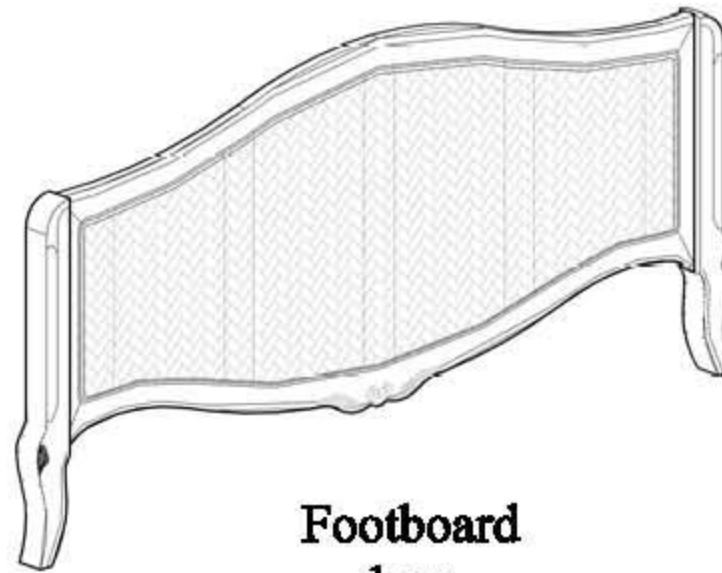


**The 135cm Bedstead is supplied with the following part :**



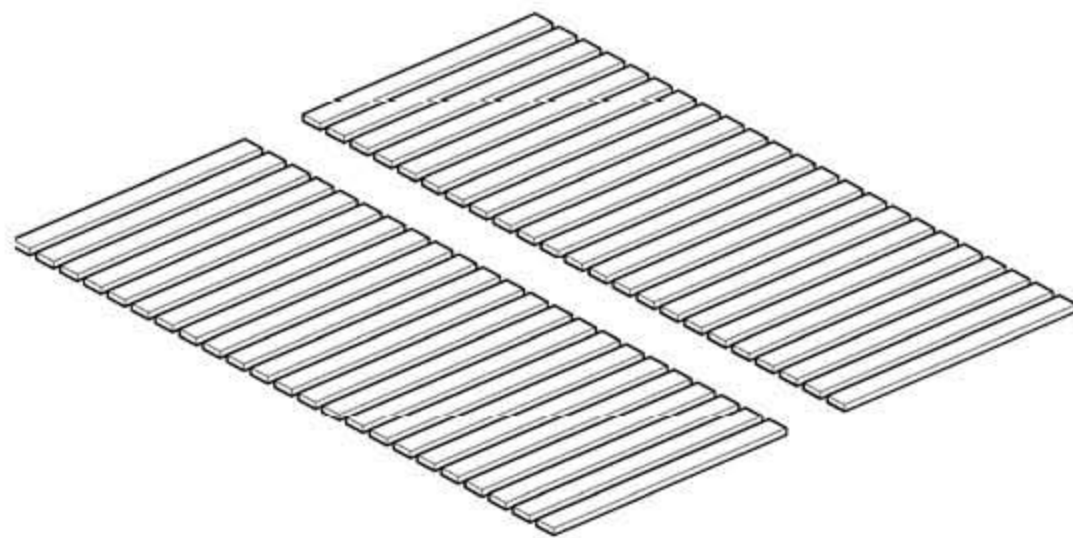
**Headboard  
1 pc**



**Footboard  
1 pc**



**Big Bolt - 4 set  
(Attached to the end of Side Rail)**



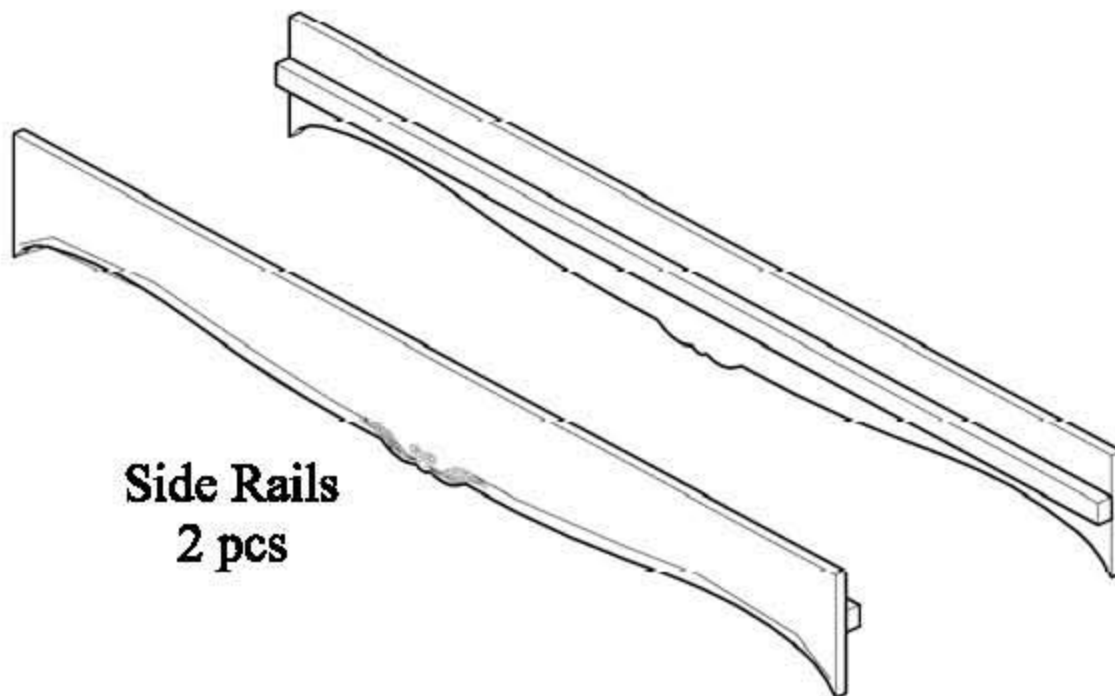
**Slat  
2 set**



**Allen key  
1 pc**



**Pin & Nut - 4 set  
(Attached to the internal part of  
Headboard / Footboard)**



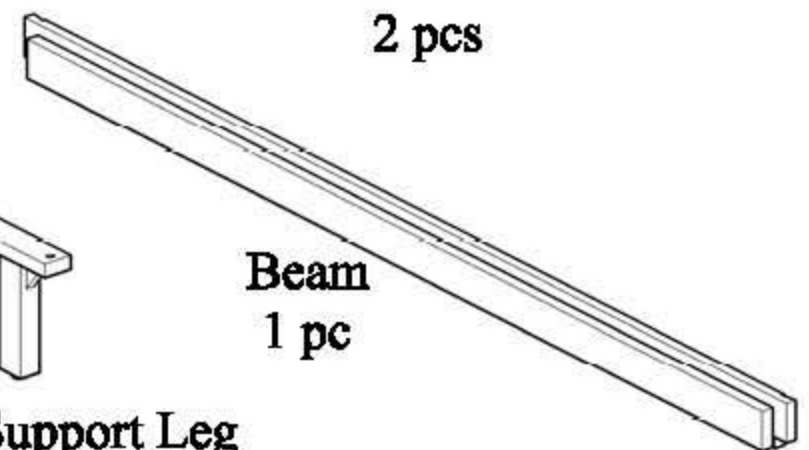
**Side Rails  
2 pcs**



**Bolt 40mm  
2 pcs**



**Support Leg  
1 pc**

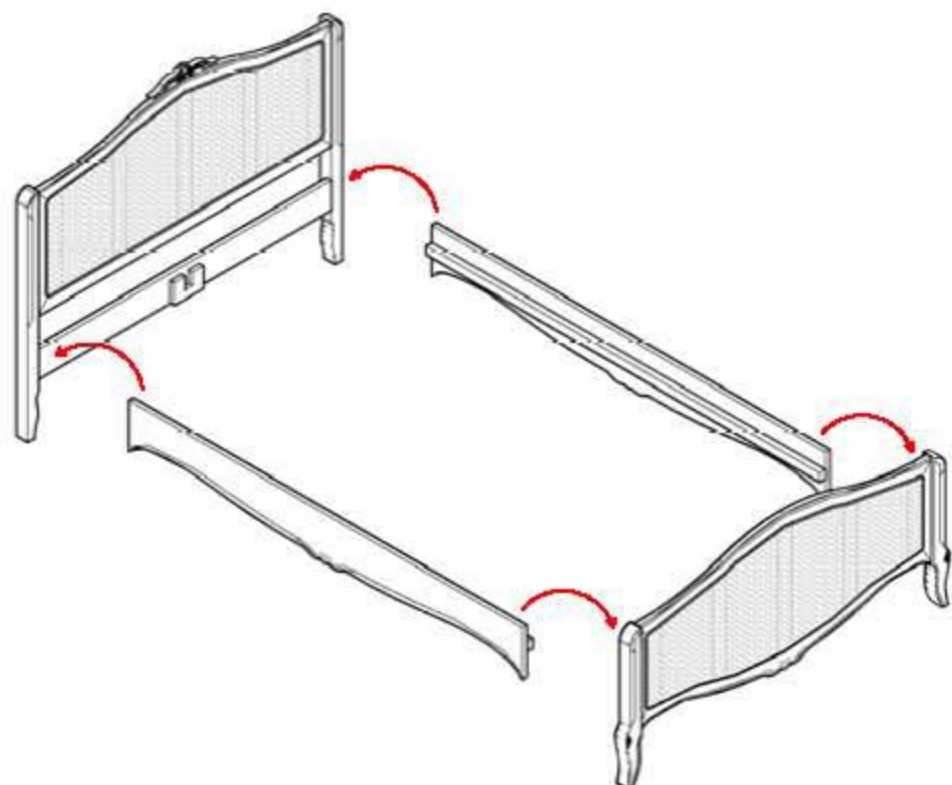


**Beam  
1 pc**

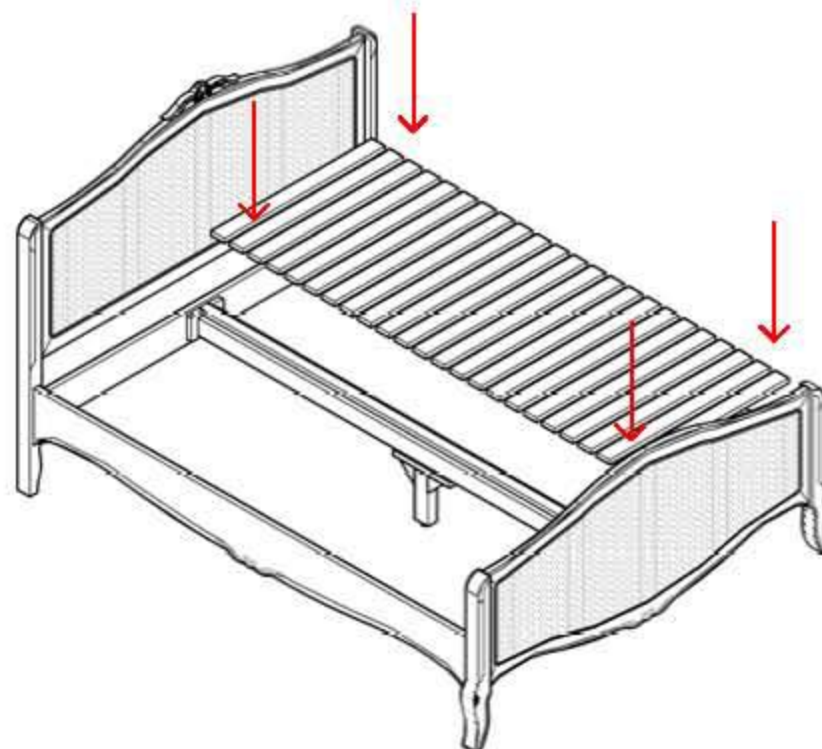
**Note :**  
Please find the matching code  
(double letter) for these pieces

**Step 1**

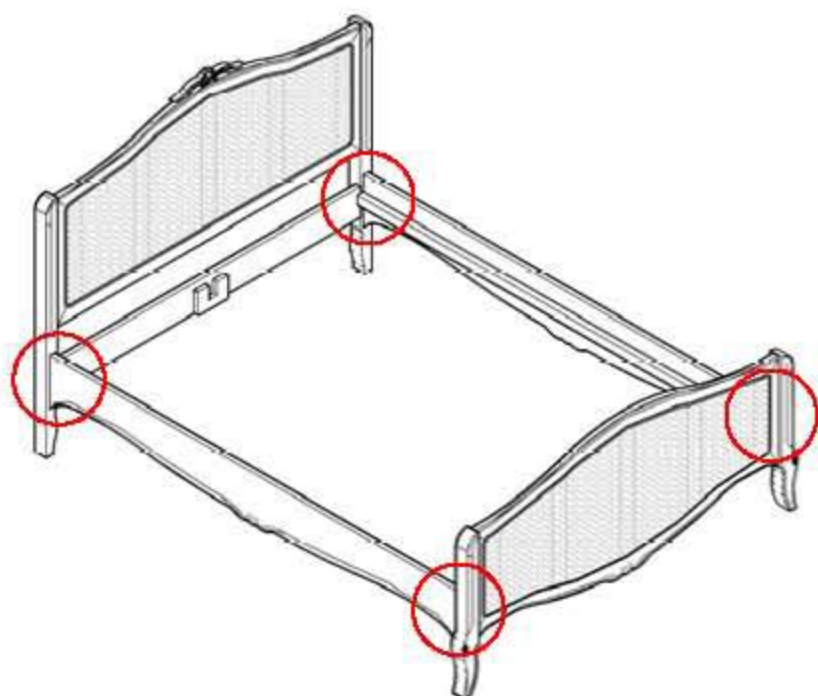
Hook in the Siderail to the Headboard and Footboard matching the number.

**Step 4**

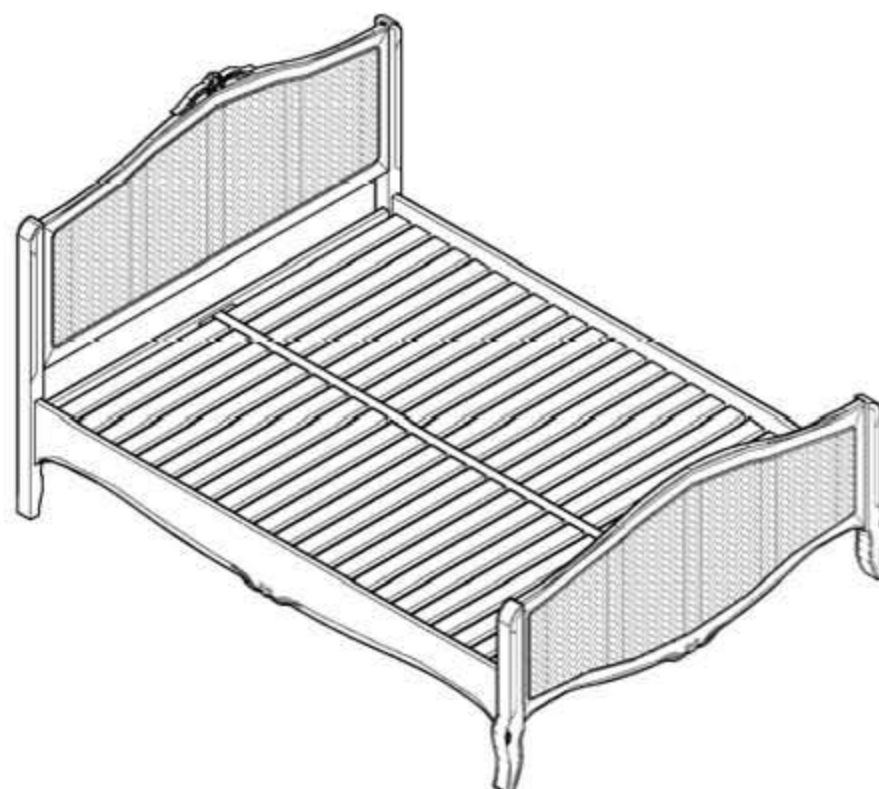
Lay down the slat and insert the holes at slat corners to the pins at the siderail.

**Step 2**

Tightened the Connecting Bolt on the 4 corners.

**Fully Asembled**

135cm Bedstead is ready to use.

**Step 3**

Install support leg to beam using bolt. Then, Insert the beam matching the number.

