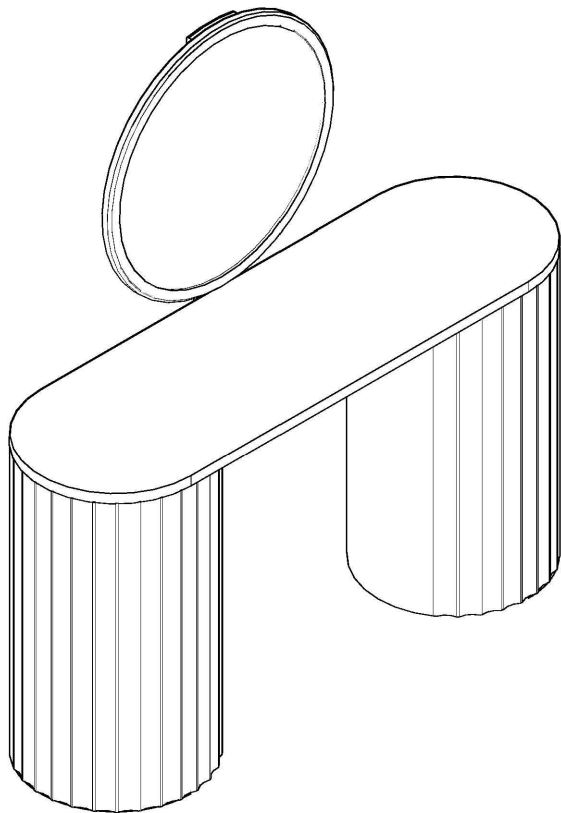


LL07 & LL10 - Dressing Table with Mirror Assembly Instructions

Product Size : H1361 cm x W400cm x D763 cm



Please retain for future reference

LL07 & LL10 - Dressing Table with Mirror Assembly Instructions

BEFORE YOU START

Warnings

- > We suggest that you retain these instructions for future reference.
- > Keep tools out of children's reach and keep children well away from the assembly area.
- > Please ensure that this product is only used on firm, level ground.
- > We advise that you periodically check all fittings and re-tighten as necessary.
- > Please do not sit or stand on your furniture.
- > Please avoid exposing the furniture to excessive heat or direct sunlight, as this can cause deterioration of the colour.
- > Wood will mellow and change colour over time, we recommend that ornaments and items placed on the surface are moved regularly for the first few months to prevent uneven mellowing.

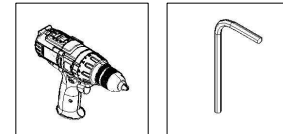
Number of people required to assemble

2 Persons are required to assemble this item

Time to assemble

Approximately 45 minutes required to assemble this item.

Tools required



Missing parts or issues

If you are missing any fixtures and fittings for your furniture, or if you are unhappy with the condition of your furniture, please contact the retailer who you purchased this furniture from.

Do

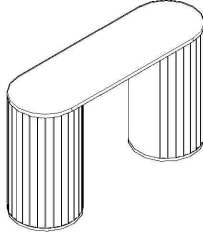


- > We suggest you spend a short time reading through this leaflet before you start.
- > When you are ready to start, make sure that you have the right tools and plenty of space.
- > Unwrap all packaging materials and place components on a clean surface to protect them from damage.
- > We recommend that the packaging is used to protect the surfaces during assembly.
- > Carefully check that you have all parts before beginning assembly.
- > We recommend that the furniture is assembled in the room that it is intended to be used in.
- > Ensure the product is fully assembled as shown, and that all fixings are fully tightened before use.
- > Wipe occasionally with a soft cloth slightly dampened with water, then buff with a dry clean soft cloth.

Don't

- > Do not drag or pull your furniture.
- > Do not use silicone based furniture polish. Silicone in furniture polishes can break down the finish.
- > Never allow any kind of liquid to remain on your furniture.
- > Absorption can cause wood to warp or finishes to de-laminate.
- > Do not place hot items (e.g. hot drinks) directly on to the wood surface. Please make sure you use a placemat or coaster.
- > Do not use chemical or abrasive cleaning product

LL07 & LL10 - Dressing Table with Mirror Assembly Instructions

Components supplied. Please use this guide if you require replacement parts.

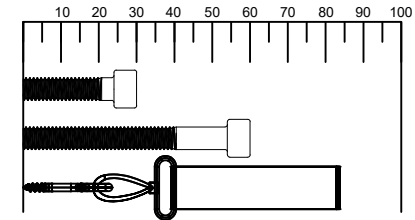
No	Dimension	Visual	Qty	Ctn
1.	H1300 cm x W400cm x D763 cm		1 PC	1
2.	H1300 cm x W400cm x D763 cm		1 PC	1
3.	H1300 cm x W400cm x D763 cm		1 PC	1

LL07 & LL10 - Dressing Table with Mirror Assembly Instructions


Fixtures and Fittings

Main features and fittings supplied (to scale)

Ref	Dimension	Qty
1	H1cm x W30cm x D2,5cm	1 Set
2	H1cm x W60cm x D2,5cm	1 Set
3	H1cm x W8cm x D2,5cm	1 Set

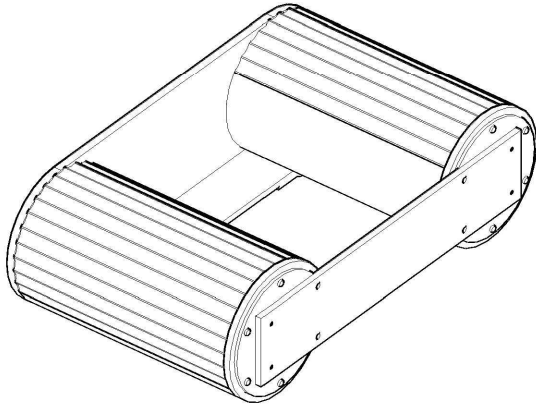


Other fixtures and fittings supplied (not to scale)

Ref	Dimension	Visual	Qty
1	-		1 PC

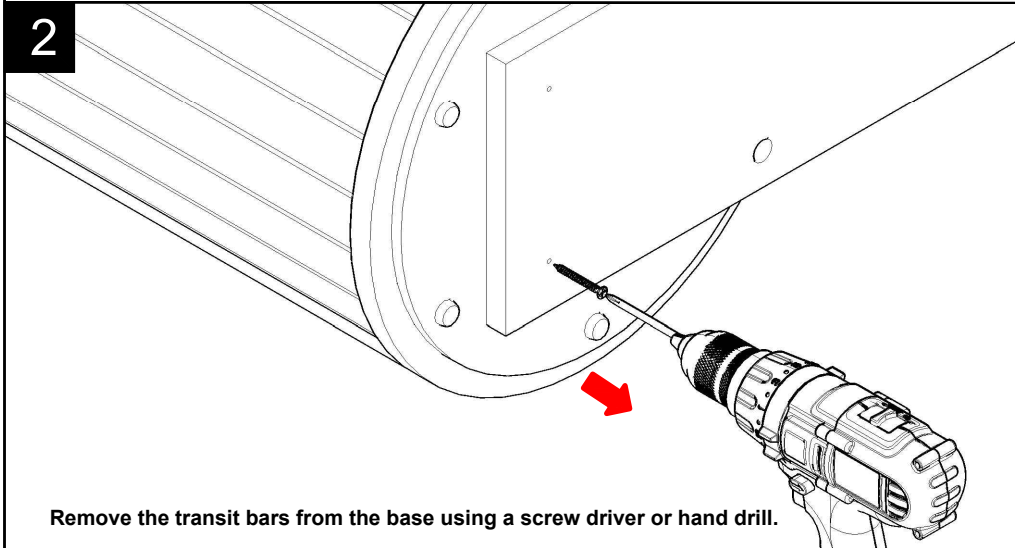
LL07 & LL10 - Dressing Table with Mirror Assembly Instructions

1



Carefully lay the furniture down onto its back ensuring that the area is clean and free from anything that might mark or damage the finish.
You may want to use the carton to protect both the flooring and the furniture. Two people are required to lift and move the unit.

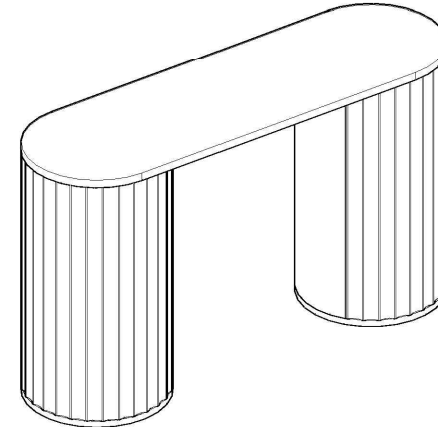
2



Remove the transit bars from the base using a screw driver or hand drill.

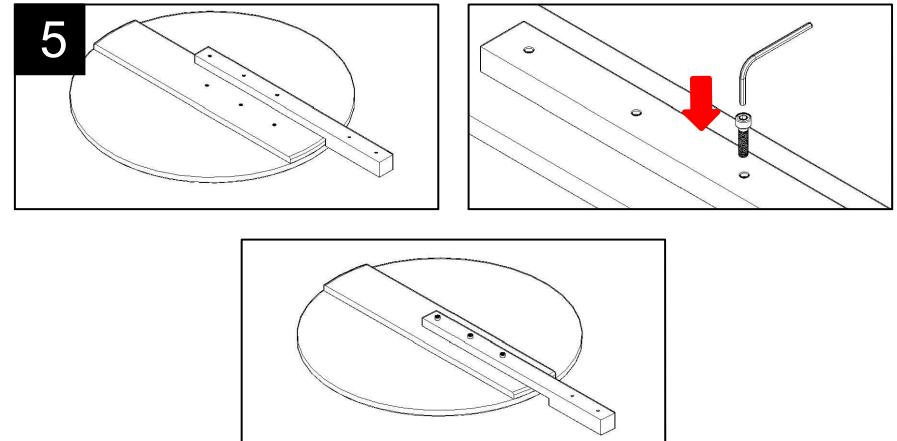
LL07 & LL10 - Dressing Table with Mirror Assembly Instructions

3



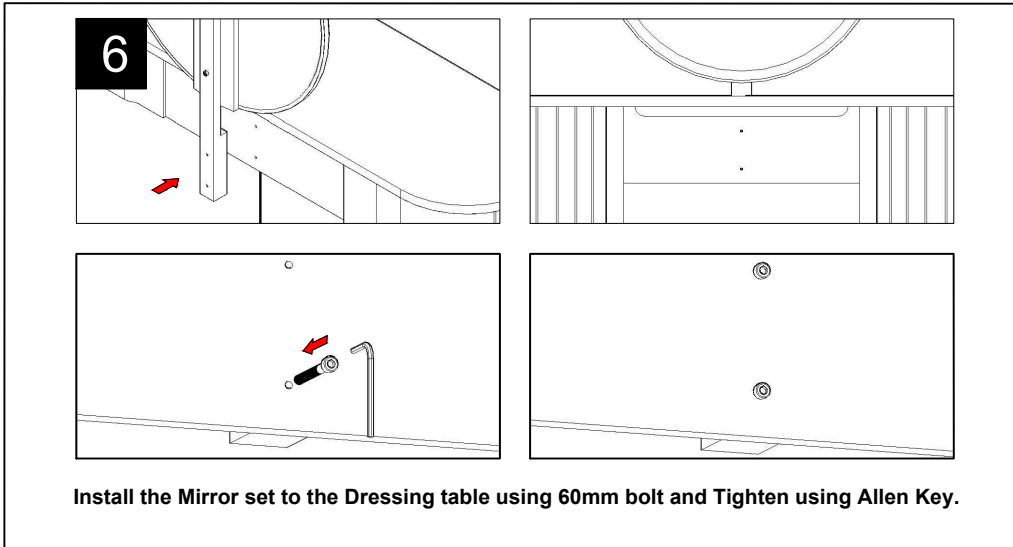
Carefully lift the unit upright and into place, two people are required to lift and move the unit.

5



Install the Mirror support to the Mirror according to number using 30mm bolt and Tighten using Allen key.

LL07 & LL10 - Dressing Table with Mirror Assembly Instructions



LL07 & LL10 - Dressing Table with Mirror Assembly Instructions

WARNING!

In order to prevent overturning this product must be used with the wall attachment device provided. Serious or fatal crushing injuries can occur from furniture tipping over. To help prevent topple over:

- Use the wall attachment devices provided
- Never allow children to climb or hang on drawers, doors or shelves
- Do not overload drawers
- Place heaviest items in the lower drawers or shelves
- Unless specifically designed to accommodate, do not set TV's or other heavy objects on top of this product

An attachment device is provided with your product.

Fixings may be included, however please ensure that these are suitable for your wall type.

If they are not, you will need to source suitable fixings for your wall type.

If in doubt consult a qualified trades person.

Always ensure that the wall to be drilled into is free from hidden electrical wires, water and gas pipes. If in doubt consult a qualified trades person.

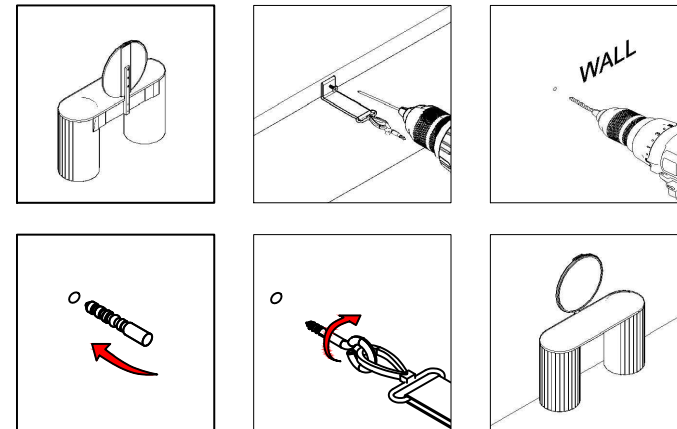
- Line your unit up with the wall and lightly mark the position for the wall fixing to be attached, just below the top of the unit. you will need to move the unit away from the wall to attach the wall fixing.

- Install anti-tip to the back with screw follow pre-drill arrow.

- Drill into the wall and insert the correct wall plug.

- Screw the wall fixing fully into the wall and ensure it is secure.

Carefully move the unit back into position and attach the strap to the bracket using the clip.



LL07 & LL10 - Dressing Table with Mirror

Assembly Instructions

Wood as a natural material, will continue to move and be affected by its surroundings. Changes in humidity and temperature can lead to warping and /or cracks in the wood. Therefore, it is advisable not to place your furniture against a direct heat source or air conditioning unit.

Over time, with changes in the atmosphere and light, the wood will mellow.

To ensure an even tone we recommend that it is not left in direct sunlight and any objects placed on the furniture should be regularly moved around to help avoid colour differences.

Your furniture has been finished with an NC Off-White finishing.

General care

- Assemble the product in the room intended for use.
- Always lift your furniture to move it, never drag or push it as this can cause damage.
- Regularly check all fixings and tighten if necessary.
- Wipe with a soft, slightly damp, lint free cloth. Buff with a dry, clean cloth.
- Wipe up spills immediately, never leave liquids sitting on the surface as this can damage the finish.
- Always use mats and coasters to protect the surface when in use.
- Never place hot items directly onto the surface.
- Do not use silicon-based furniture polish as the silicon can affect the finish.