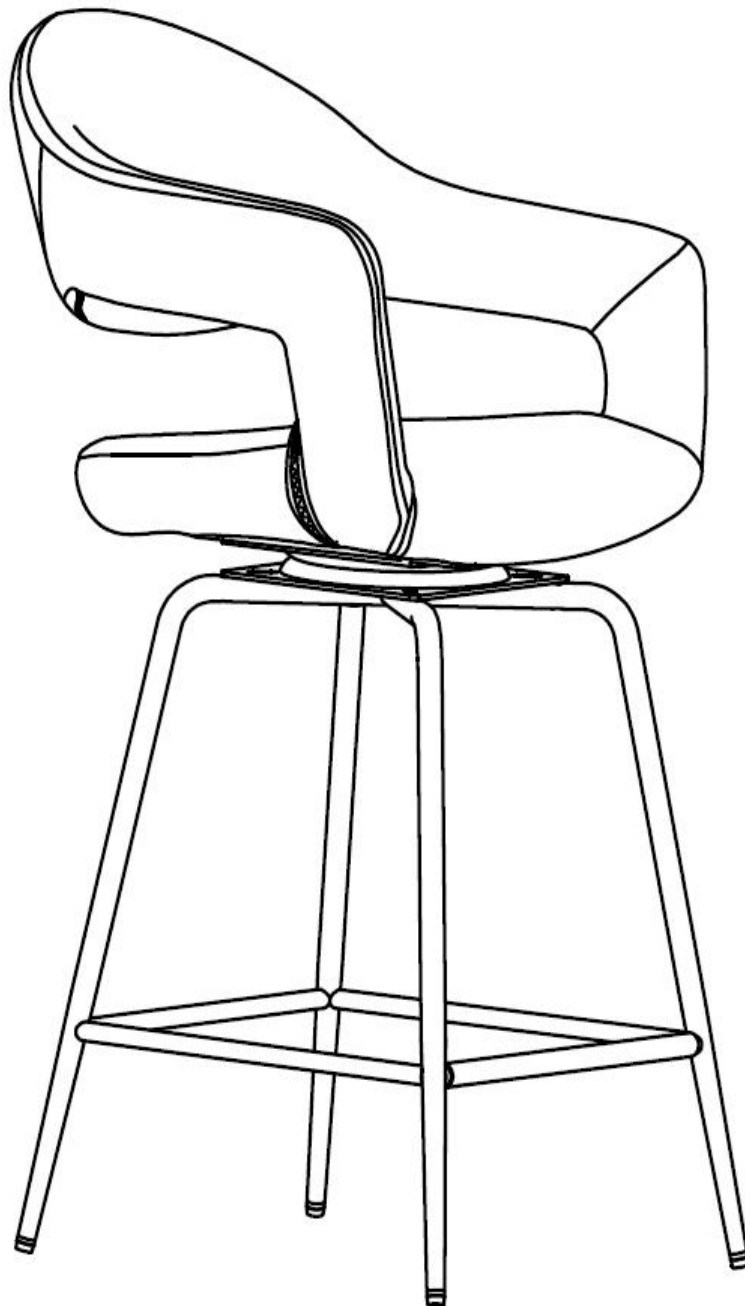


# C256 - Jasmine Counter Chair

## Assembly Instructions

Product size: H(98.5)cm x W(52)cm x D(52.5)cm



Please retain for future reference

# C256 - Jasmine Counter Chair

## Assembly Instructions

### Before you start

#### Warnings

- > Retain these instructions for future reference.
- > Keep fittings out of children's reach and keep children well away from the assembly area.
- > Ensure that this product is only used on firm, level ground.
- > Periodically check all fittings and re-tighten as necessary.
- > DO NOT stand on your furniture.
- > Avoid exposing the furniture to excessive heat or direct sunlight, as this can cause deterioration of the colour.

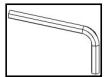
#### Number of people required to assemble

1 person is required to assemble this item.

#### Time to assemble

Approximately 15 minutes required to assemble this item.

#### Tools required



#### Missing parts or issues

If you are missing any fixtures and fittings for your furniture, or if you are unhappy with the condition of your furniture, please contact the retailer who you purchased this furniture from.

#### Do

- > Spend a short time reading through this leaflet before you start.
- > Make sure that you have the right tools and plenty of space.
- > Unwrap all packaging materials and place components on a clean surface to protect them from damage.
- > The packaging should be used to protect the surfaces during assembly.
- > Check that you have all parts before beginning assembly.
- > The furniture should be assembled in the room that it is intended to be used in.
- > Ensure the product is fully assembled as shown, and that all fixings are fully tightened before use.

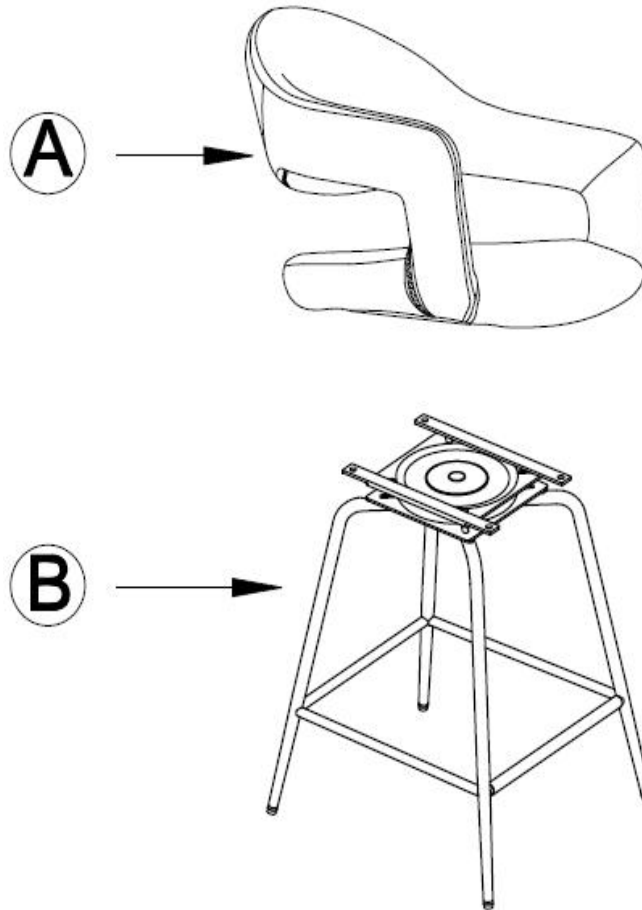
#### Don't

- > Do not drag or pull your furniture.
- > Do not use silicone based furniture polish. Silicone in furniture polishes can break down the finish.
- > Never allow any kind of liquid to remain on your furniture.
- > Absorption can cause wood to warp or finishes to de-laminate.

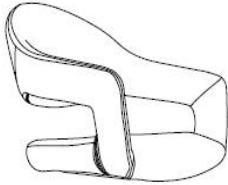

# C256 – Jasmine Counter Chair

## Assembly Instructions

Getting to know your product



Components supplied. Please use this guide if you require replacement parts.

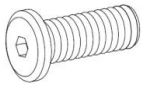
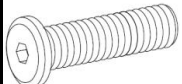

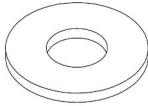
#	Dimensions	Visual	Qty	Ctn
A	H41cm X W52cm X D51cm		1PC	1
B	H58.5cm X W46cm X D50cm		1PC	1

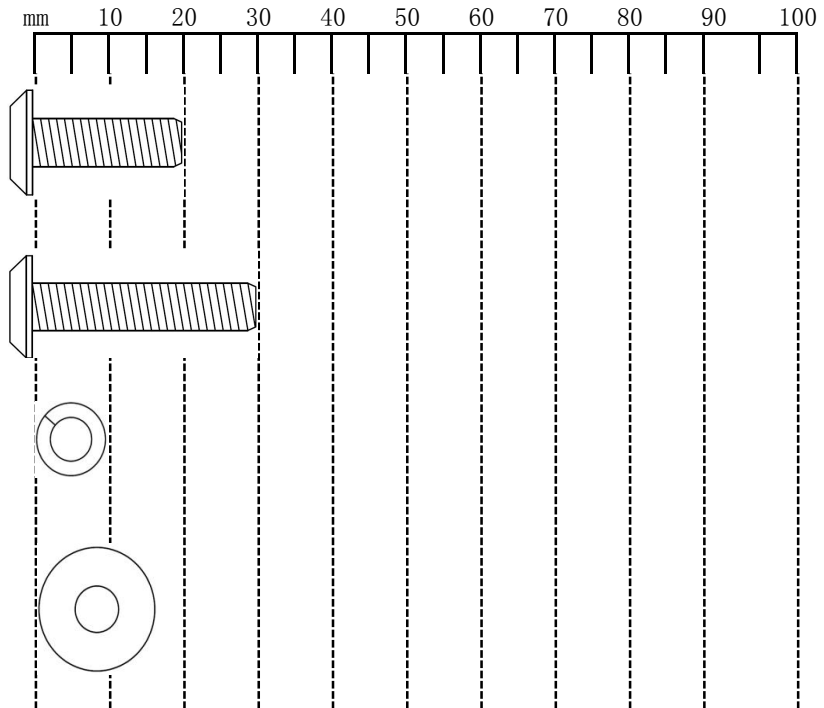
# C256 - Jasmine Counter Chair

## Assembly Instructions

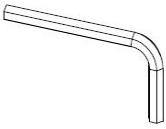
### Fixtures and fittings

Main fixtures and fittings supplied (to scale)

Ref	Dimensions	Qty
2	 M6X20	2
3	 M6X30	2
4	 ø10X2	4
5	 ø16Xø6X1.5	4

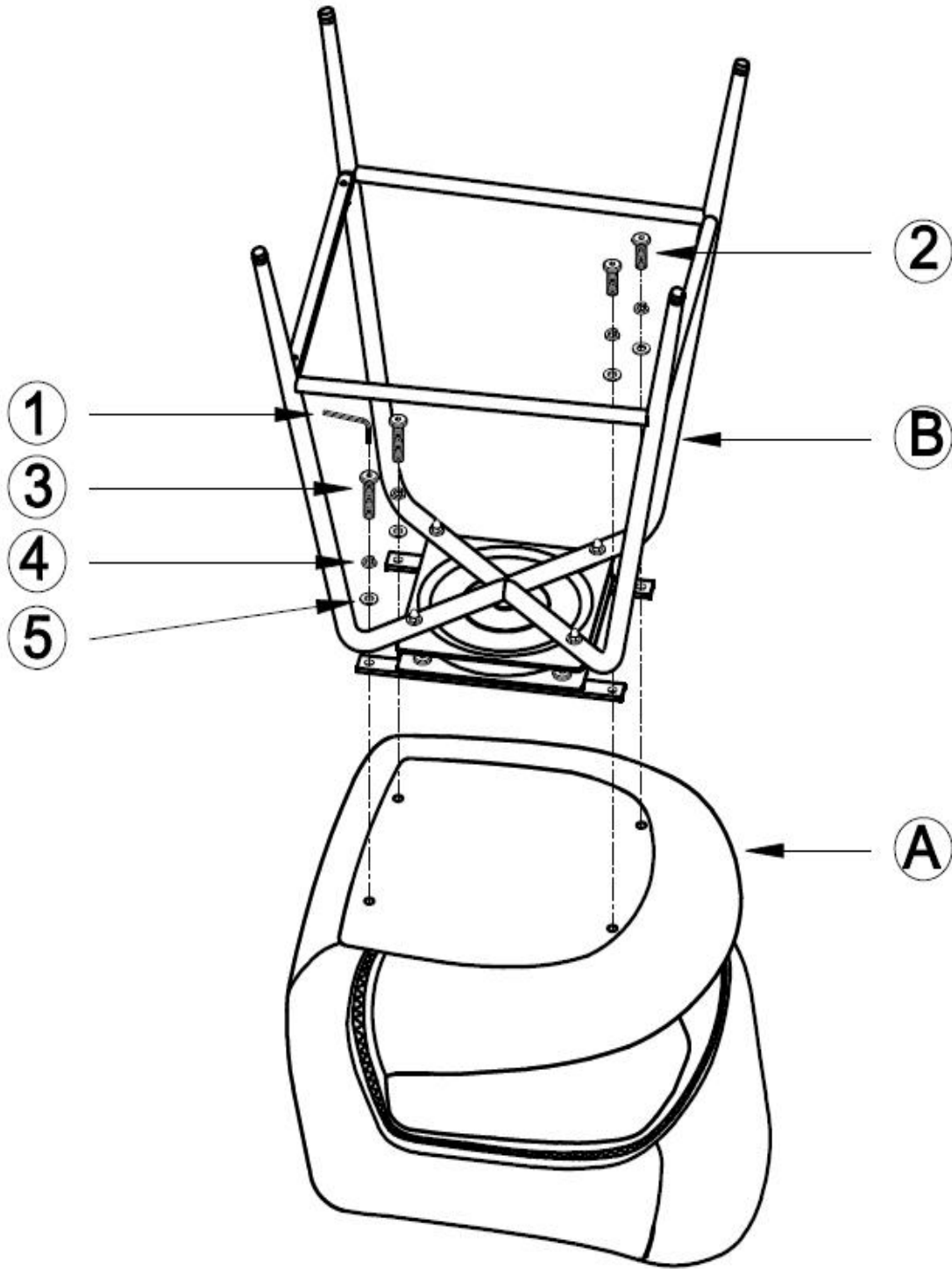


Other fixtures and fittings supplied (not to scale)

Ref	Dimensions	Qty
1	 4mm	1

# C256 - Jasmine Counter Chair Assembly Instructions

1



## C256 - Jasmine Counter Chair

### CARE GUIDE

#### **For fabrics -**

1. Keep upholstered furniture out of direct sunlight to avoid fading.
2. Do not place items directly against radiators or a heat source.
3. Vacuum regularly to remove dust and dirt.
4. Take care when sitting on light coloured fabrics when wearing items with transferable dyes such as Denim Jeans.
5. Blot any spills immediately with a clean lint free cloth or paper towel.
6. Never rub or scrub the spill as this may cause it to spread and stain.
7. We would recommend calling a professional upholstery cleaner to clean any stubborn marks or stains.
8. Keeps pets off your furniture.
9. Regularly check all fittings and tighten as necessary.

#### **For faux leather/PU fabrics -**

1. Keep upholstered furniture out of direct sunlight to avoid fading.
2. Do not place items directly against radiators or a heat source.
3. Vacuum or wipe with a dry soft cloth to remove dust and dirt.
4. Blot any spills immediately with a clean lint free cloth or paper towel.
5. Never rub or scrub the spill as this may cause it to spread and stain.
6. For more stubborn stains or marks wipe with a clean damp cloth.
7. Do not use any abrasive or chemical cleaning products as these may affect the finish.
8. We would recommend calling a professional upholstery cleaner to clean any stubborn marks or stains.
9. Keep pets off your furniture.
10. Regularly check all fittings and tighten as necessary.