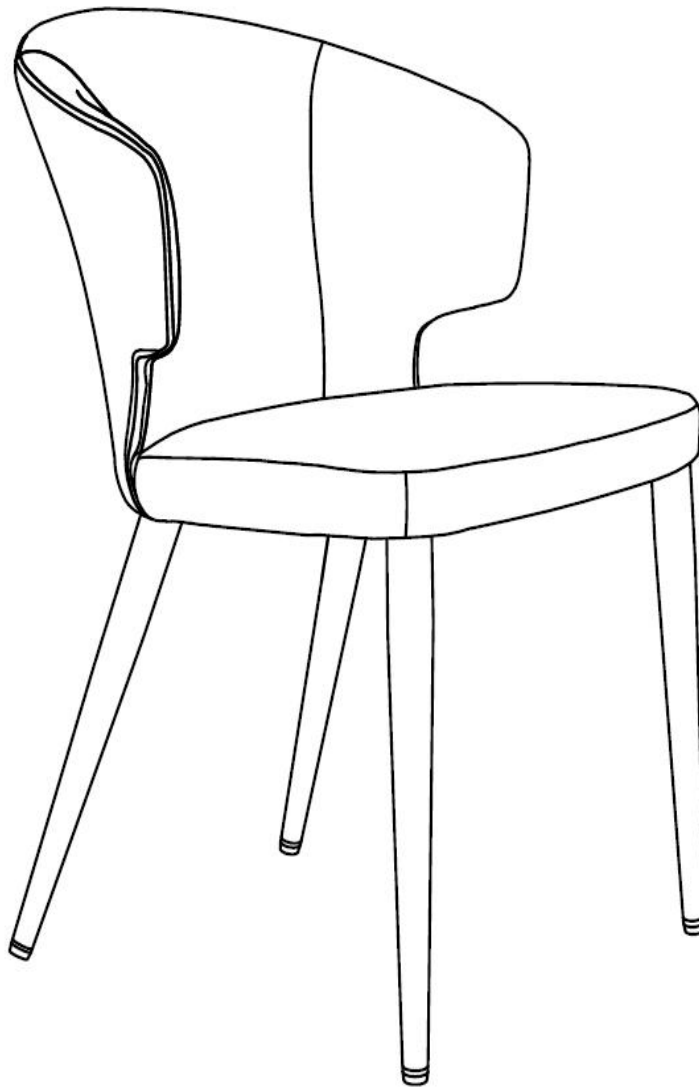


C254 -Belle Dining chair

Assembly Instructions

Product size: H(83)cm x W(55.5)cm x D(59)cm



Please retain for future reference

C254 -Belle Dining chair

Assembly Instructions

Before you start

Warnings

- > We suggest that you retain these instructions for future reference.
- > Keep fittings out of children's reach and keep children well away from the assembly
- > Please ensure that this product is only used on firm, level ground.
- > We advise that you periodically check all fittings and re-tighten as necessary.
- > Please do not stand on your furniture.
- > Please avoid exposing the furniture to excessive heat or direct sunlight, as this can cause deterioration of the colour.
- > Wood will mellow and change colour over time, we recommend that ornaments and items placed on the surface are moved regularly for the first few months to prevent uneven mellowing.

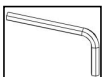
Number of people required to assemble

1 person is required to assemble this item.

Time to assemble

Approximately 15 minutes required to assemble this item.

Tools required



Missing parts or issues

If you are missing any fixtures and fittings for your furniture, or if you are unhappy with the condition of your furniture, please contact the retailer who you purchased this furniture from.

Do

- > We suggest you spend a short time reading through this leaflet before you start.
- > When you are ready to start, make sure that you have the right tools and plenty of space.
- > Unwrap all packaging materials and place components on a clean surface to protect them from damage.
- > We recommend that the packaging is used to protect the surfaces during assembly.
- > Carefully check that you have all parts before beginning assembly.
- > We recommend that the furniture is assembled in the room that it is intended to be used in.
- > Ensure the product is fully assembled as shown, and that all fixings are fully tightened before use.
- > Wipe occasionally with a soft cloth slightly dampened with water, then buff with a dry clean soft cloth.

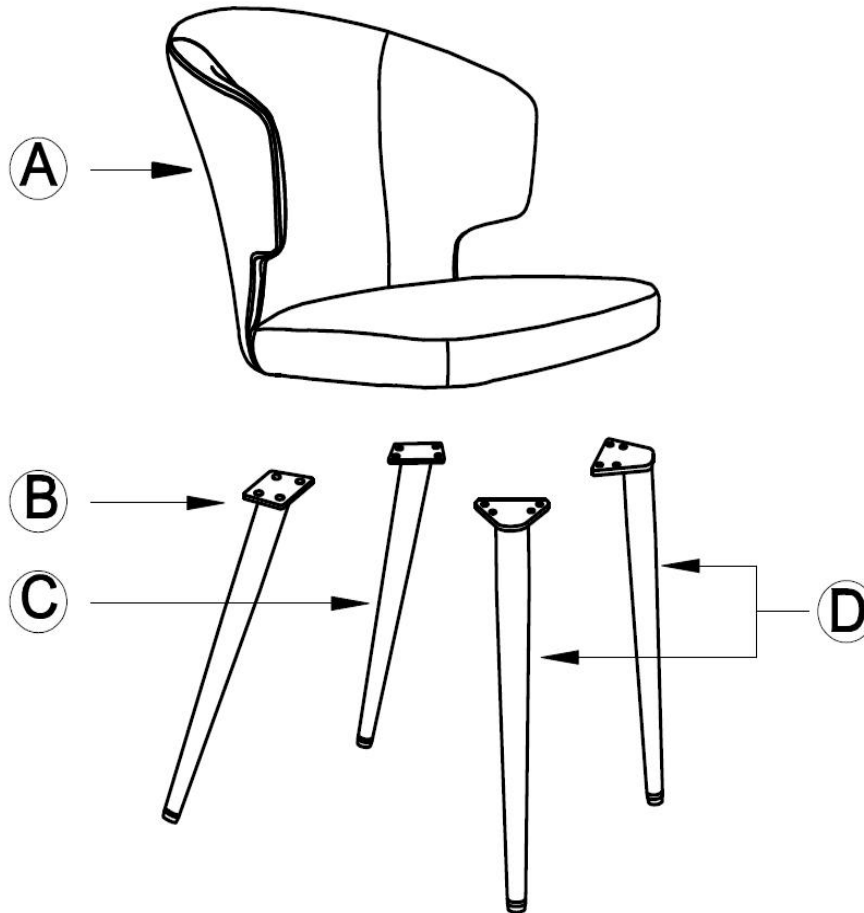
Don't

- > Do not drag or pull your furniture.
- > Do not use silicone based furniture polish. Silicone in furniture polishes can break down the finish.
- > Never allow any kind of liquid to remain on your furniture.
- > Absorption can cause wood to warp or finishes to de-laminate.



C254 -Belle Dining chair



Assembly Instructions

Getting to know your product



Components supplied. Please use this guide if you require replacement parts.

#	Dimensions	Visual	Qty	Ctn
A	H43cm X W55.5cm X D57.5cm		1PC	1
B	H43.5cm X W9.5cm X D4cm		1PC	

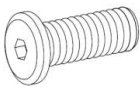
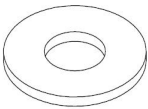
#	Dimensions	Visual	Qty	Ctn
C	H43.5cm X W9.5cm X D4cm		1PC	
D	H42.3cm X W9.7cm X D5.4cm		2PC	

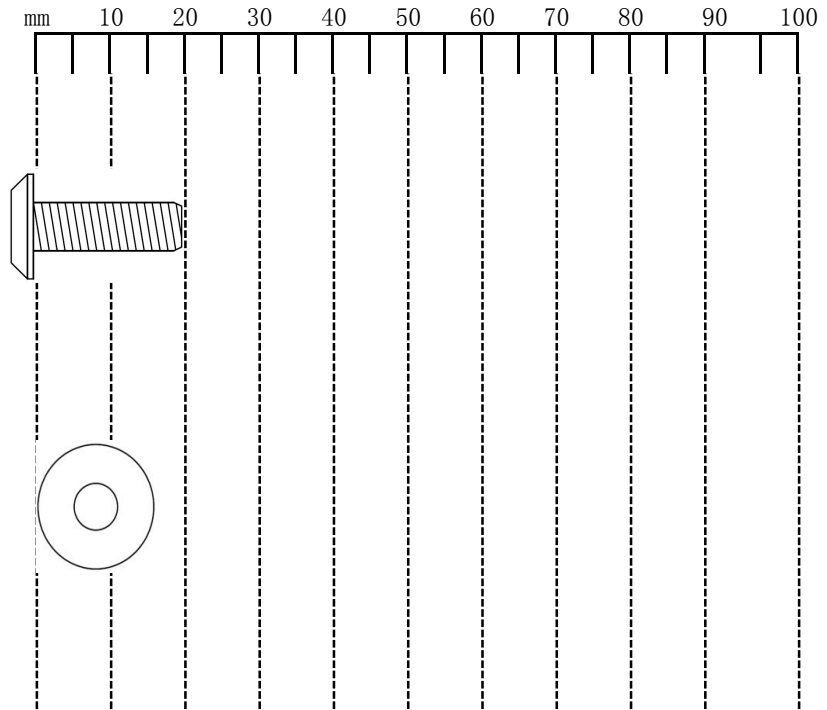
C254 -Belle Dining chair

Assembly Instructions

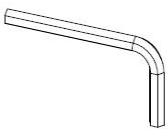
Fixtures and fittings

Main fixtures and fittings supplied (to scale)

Ref	Dimensions	Qty
2	 M6X20	16
3	 ø16Xø6X1.5	16

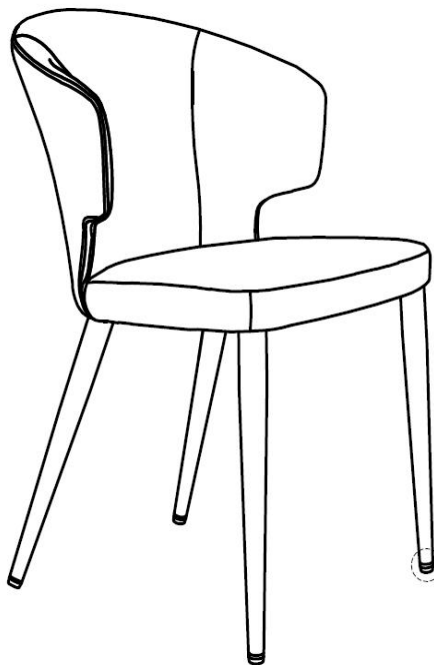
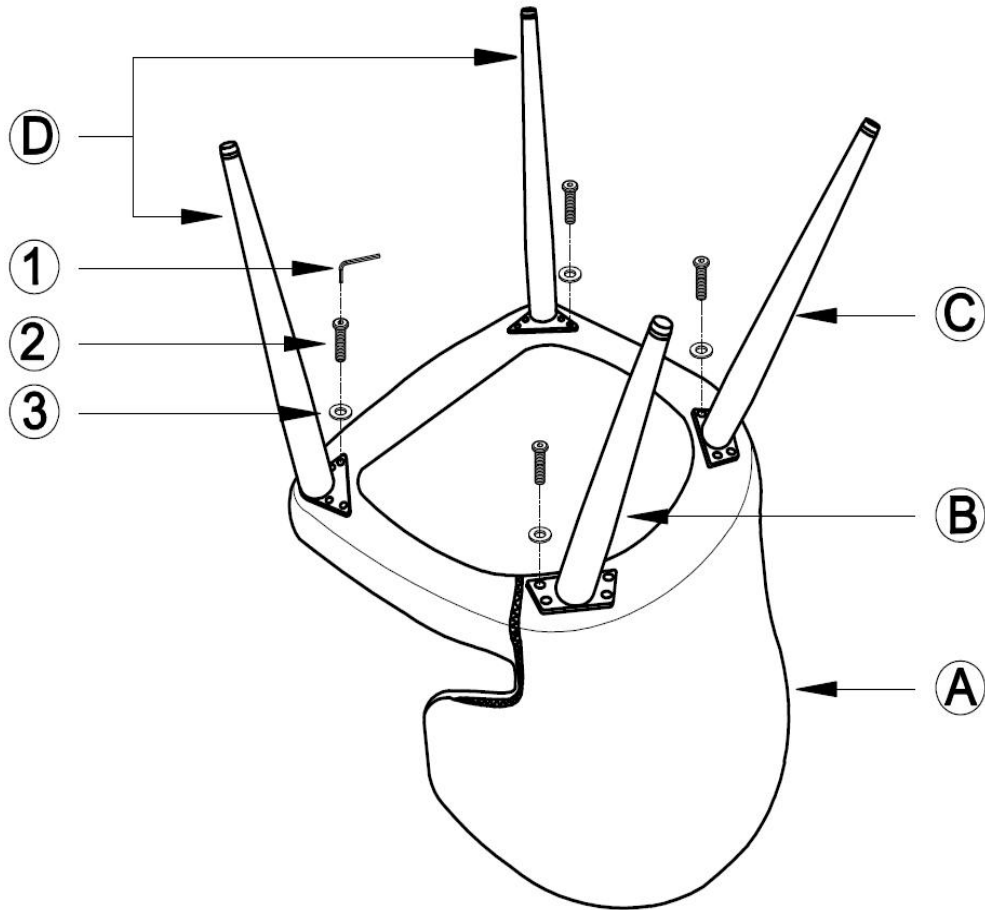


Other fixtures and fittings supplied (not to scale)

Ref	Dimensions	Qty
1	 4mm	1

C254 -Belle Dining chair

Assembly Instructions



If the stool is not stable after assembling, please adjust the plastic feet to make it stable.

C254 -Belle Dining chair

CARE GUIDE

For fabrics -

1. Keep upholstered furniture out of direct sunlight to avoid fading.
2. Do not place items directly against radiators or a heat source.
3. Vacuum regularly to remove dust and dirt.
4. Take care when sitting on light coloured fabrics when wearing items with transferable dyes such as Denim Jeans.
5. Blot any spills immediately with a clean lint free cloth or paper towel.
6. Never rub or scrub the spill as this may cause it to spread and stain.
7. We would recommend calling a professional upholstery cleaner to clean any stubborn marks or stains.
8. Keeps pets off your furniture.
9. Regularly check all fittings and tighten as necessary.

For faux leather/PU fabrics -

1. Keep upholstered furniture out of direct sunlight to avoid fading.
2. Do not place items directly against radiators or a heat source.
3. Vacuum or wipe with a dry soft cloth to remove dust and dirt.
4. Blot any spills immediately with a clean lint free cloth or paper towel.
5. Never rub or scrub the spill as this may cause it to spread and stain.
6. For more stubborn stains or marks wipe with a clean damp cloth.
7. Do not use any abrasive or chemical cleaning products as these may affect the finish.
8. We would recommend calling a professional upholstery cleaner to clean any stubborn marks or stains.
9. Keep pets off your furniture.
10. Regularly check all fittings and tighten as necessary.