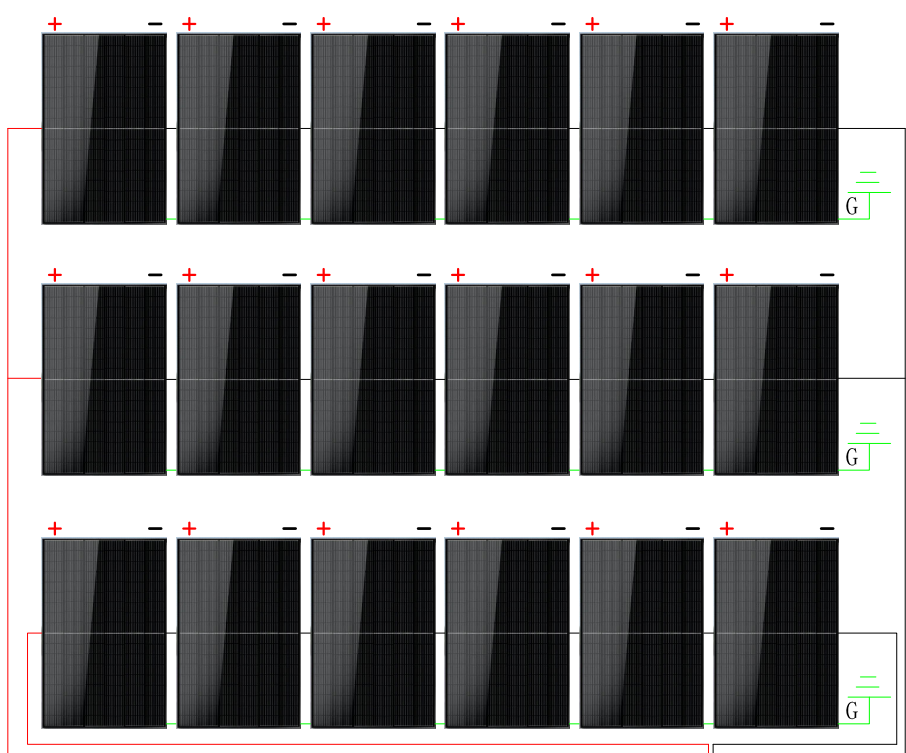


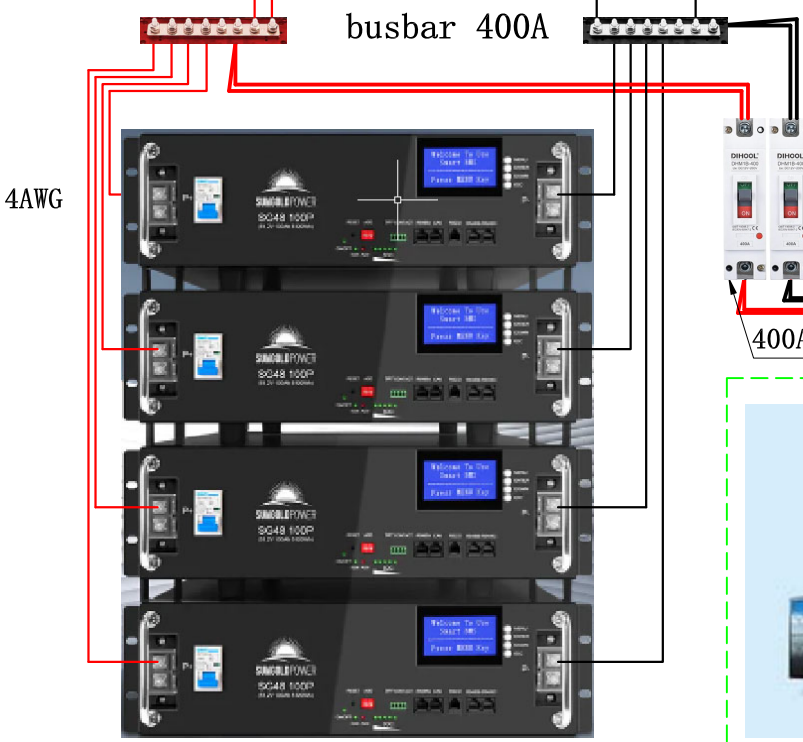
Reminder: PV ground and AC ground should be isolated from each other and NOT connected together!!!



Utility

Generator

AC INPUT L1 L2



AC OUTPUT L1 L2 N