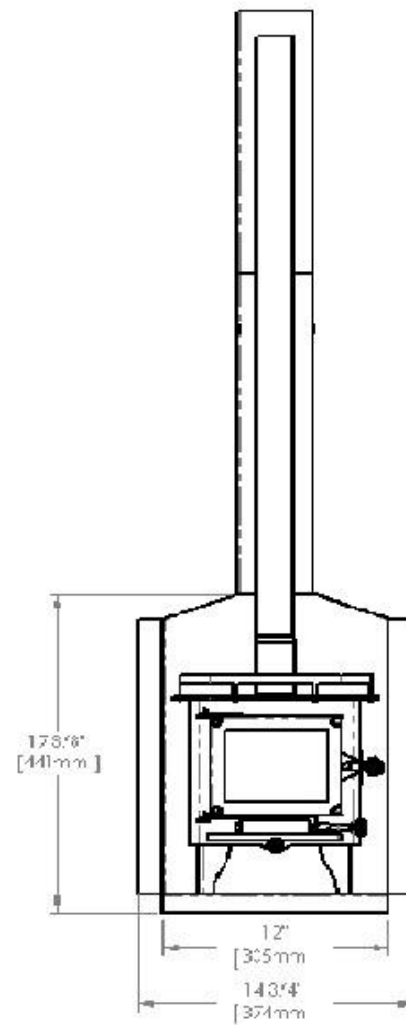
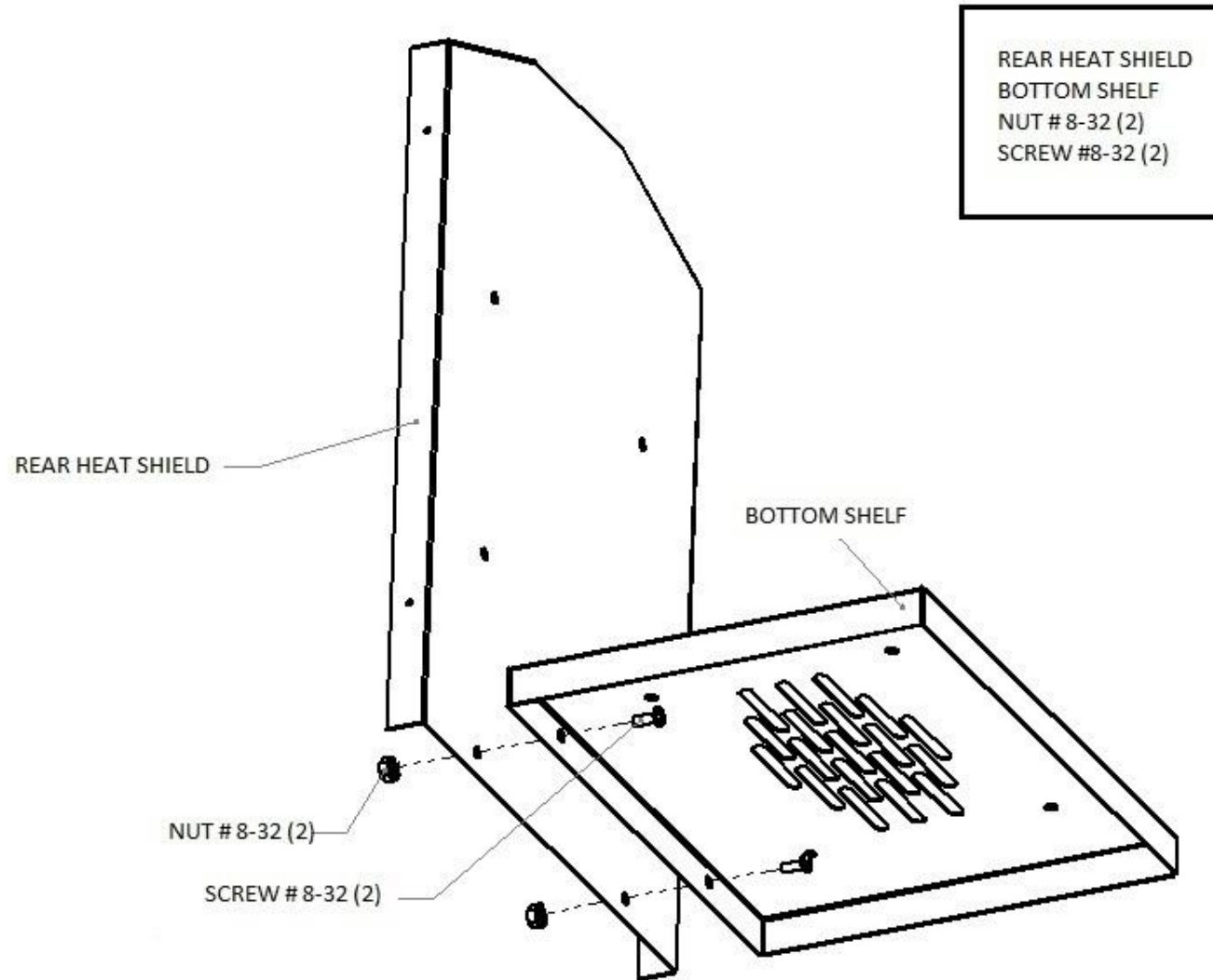


CUBIC MINI WOOD STOVE INSTALATION INSTRUCTION MANUAL

CB - 2012 - SS

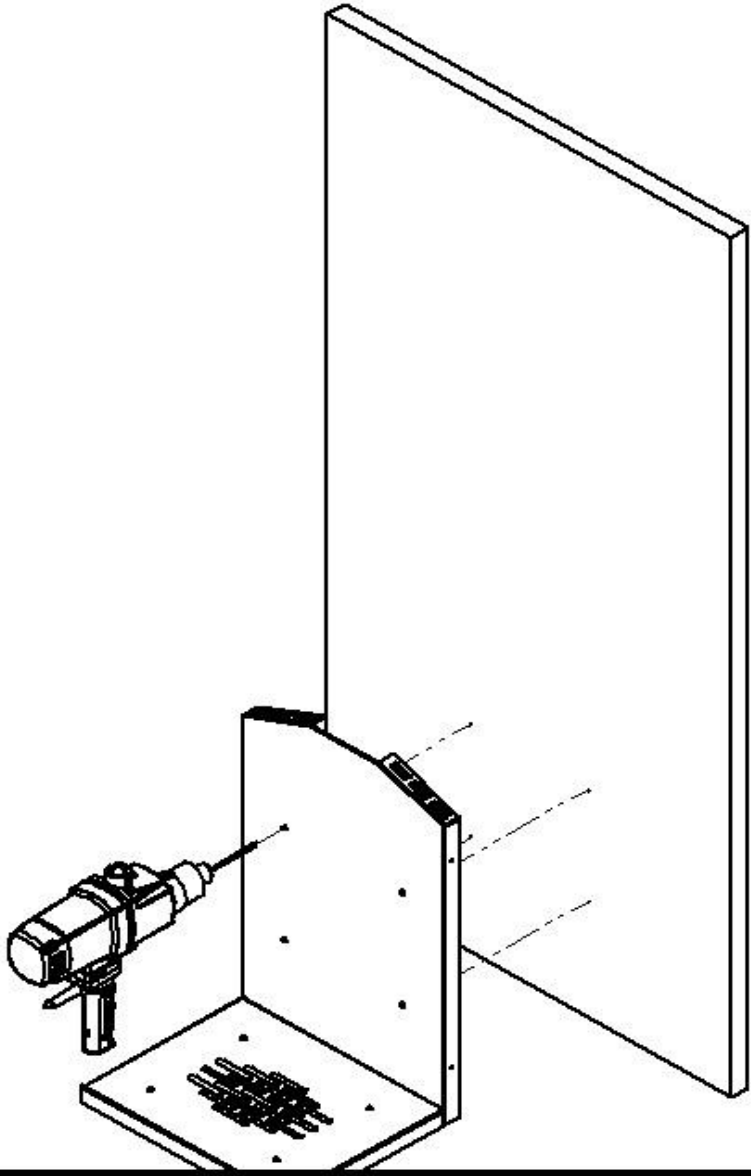


#1 BOLT THE BOTTOM SHELF TO THE REAR HEAT SHIELD USING 2 SCREWS AND 2 NUTS



#2 MARK 2 HOLES WITH A PENCIL AND DRILL 4 PILOT HOLES 3/32" IN DIAMETER

PENCIL
DRILL
DRILL BIT 3/32"

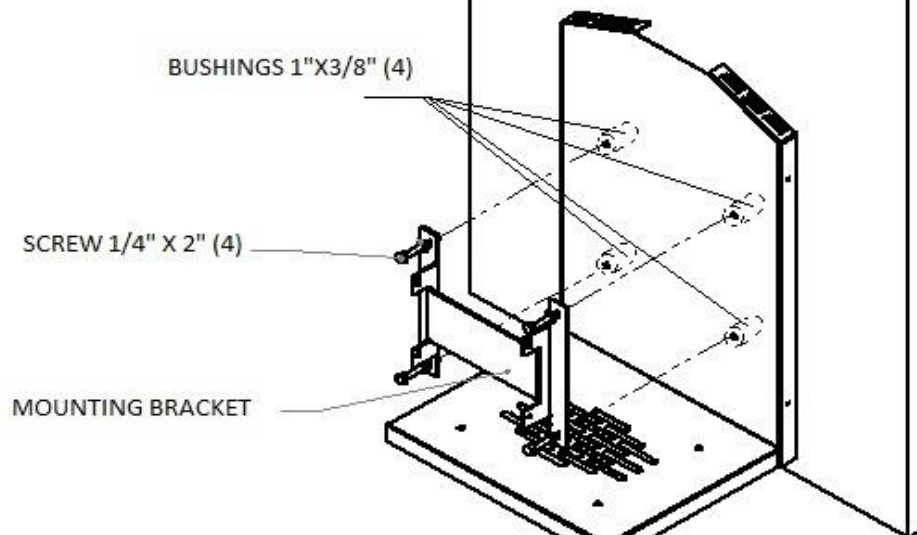


#3

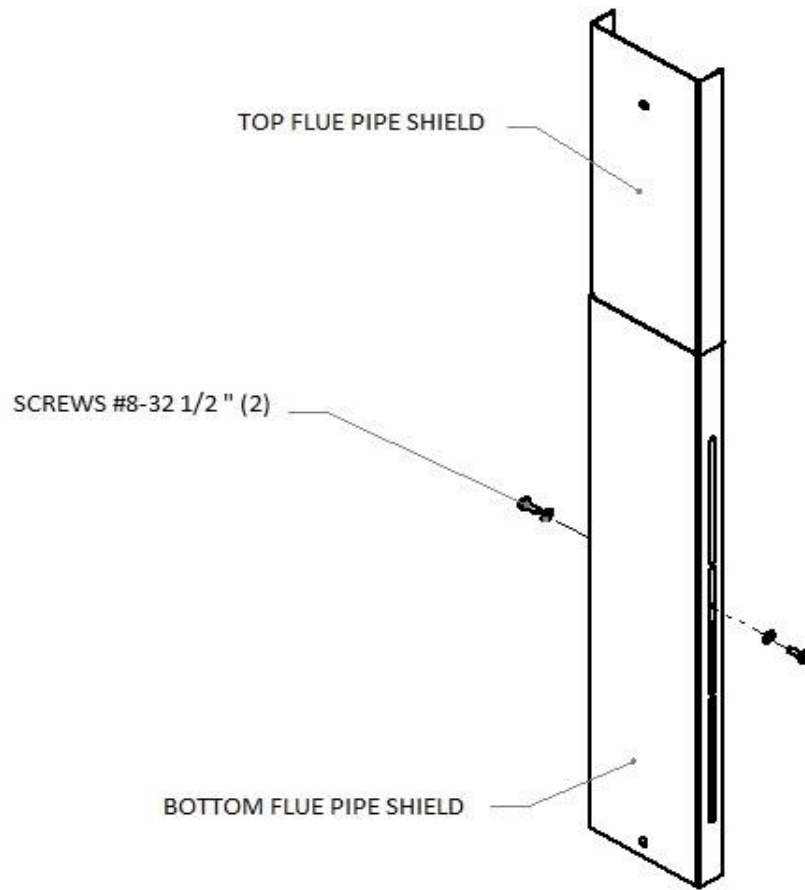
- A) ALIGN BACKPLATE ASSEMBLY, MOUNTING BRACKET, AND BUSHINGS WITH THE PILOT HOLES
- B) INSERT (4) 2" LONG SCREWS INTO WALL

TIP: USE MASKING TAPE TO HOLD BUSHINGS IN PLACE BEFORE INSERTING SCREWS

BACK PLATE ASSEMBLY
MOUNTING BRACKET
SCREWS 1/4" X 2" (4)
BUSHINGS 1" X 3/8" (4)



#4 PRE ASSEMBLE FLUE PIPE SHIELD BY SLIDING BOTH PANNELS INTO EACHOTHER AND SECURING THEM BY BOLTING THE SHIELDS TOGETHER WITH (2) 1/2" LONG SCREW AND AJUST TO REQUIRED LENGTH

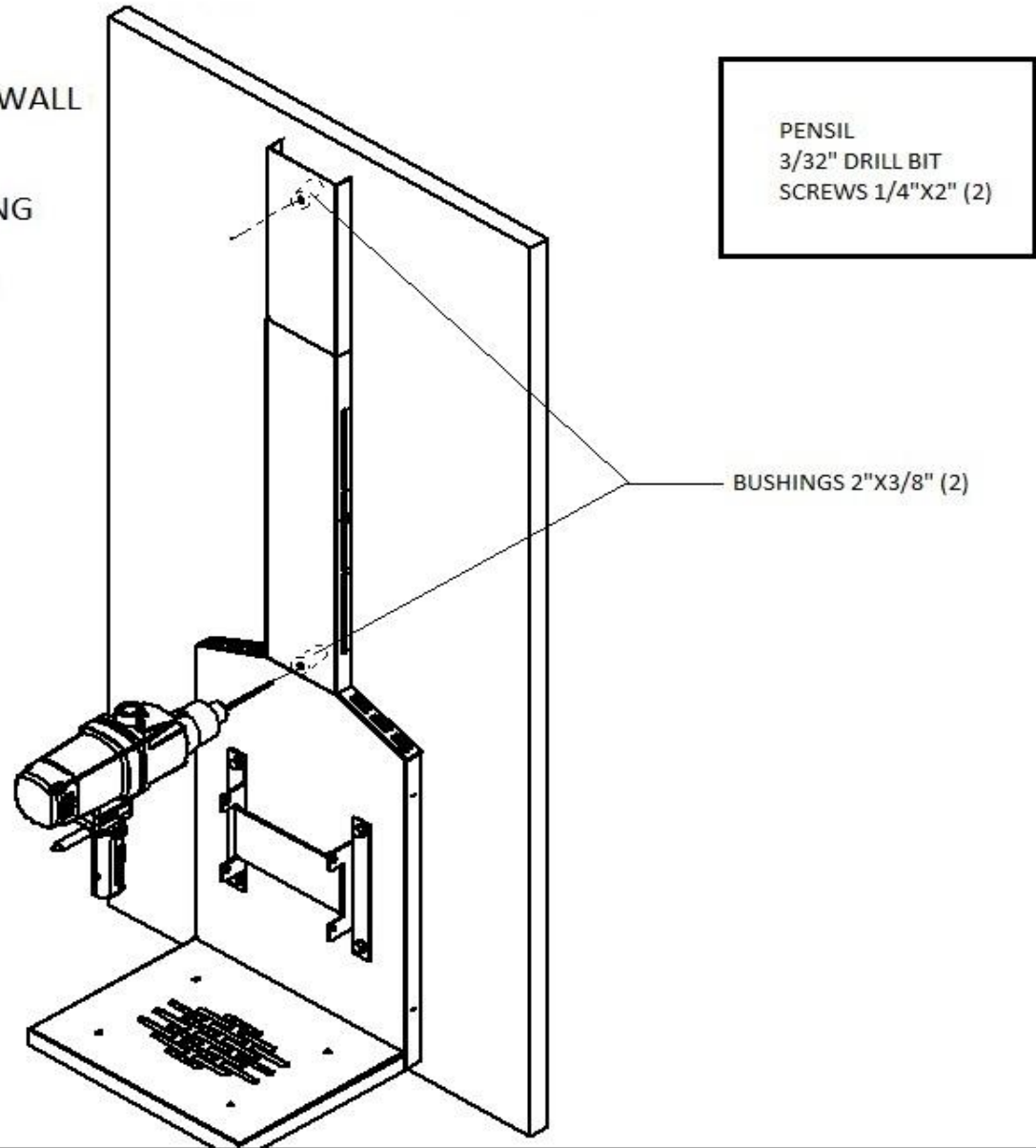


TOP FLUE PIPE SHIELD
BOTTOM FLUE PIPE SHIELD
SCREWS 38-32 1/2" (2)

#5

- A) MARK HOLES WITH PENSIL
- B) DRILL 3/32" PILOT HOLES INTO WALL
- C) MOUNT THE FLUE PIPE SHIELD ASSEMBLY TO WALL BY SECURING IT WITH 2 SCREWS THROUGH THE FLUE PIPE SHIELD AND THE BUSHINGS

TIP: USE MASKING TAPE TO HOLD BUSHINGS IN PLACE BEFORE INSERTING SCREWS

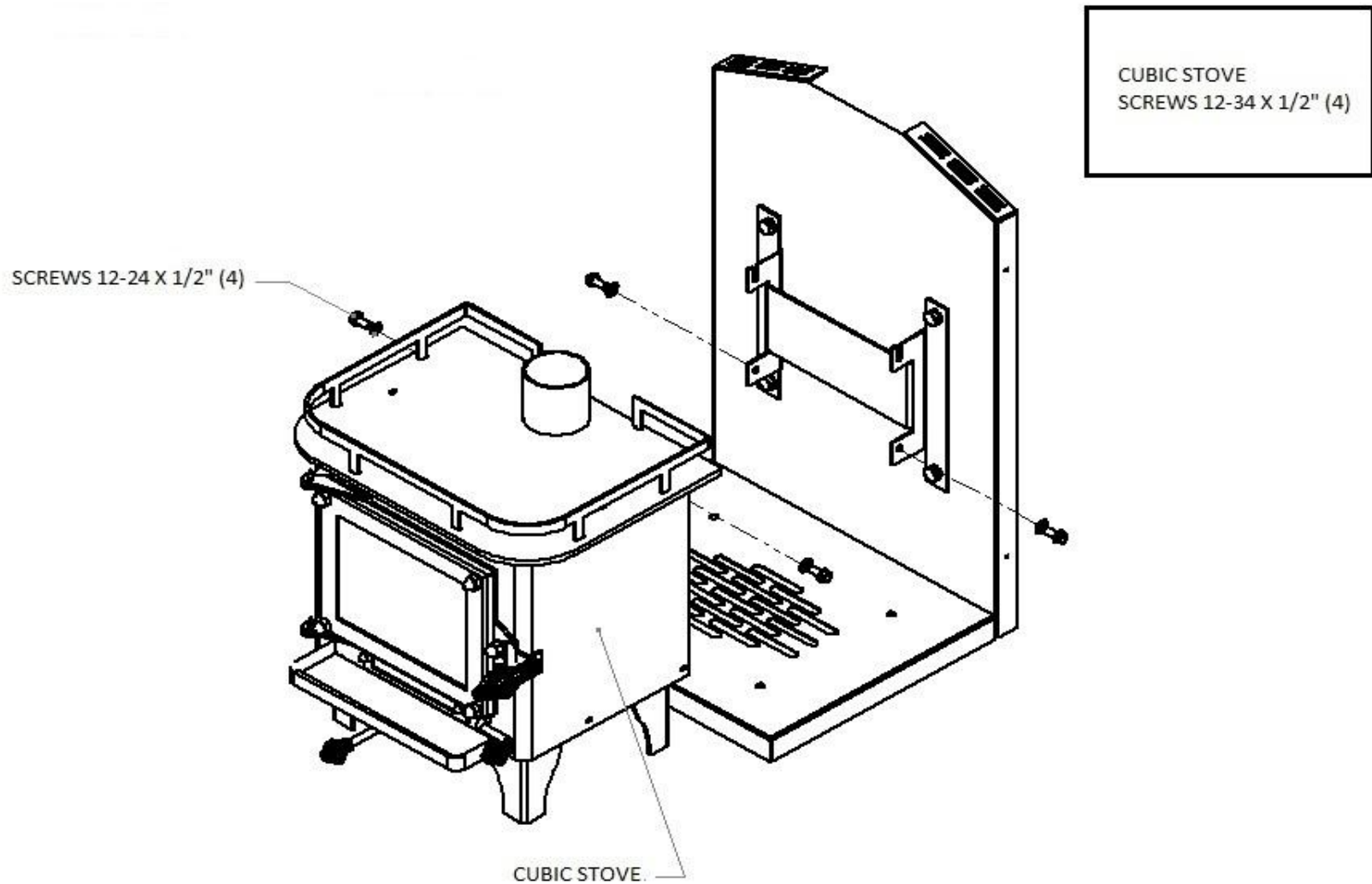


PENCIL
3/32" DRILL BIT
SCREWS 1/4"X2" (2)

BUSHINGS 2"X3/8" (2)

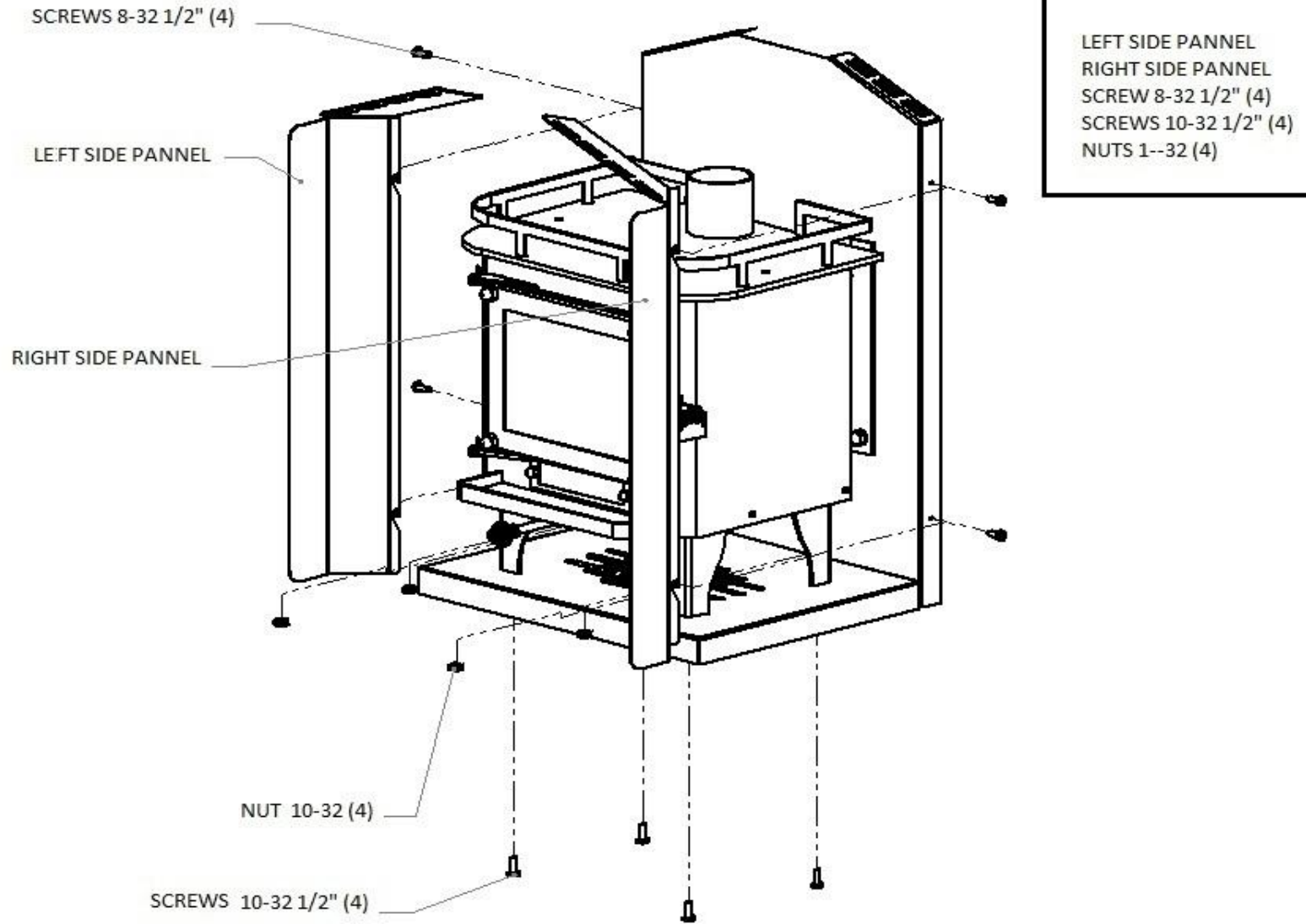
#6

- A) UNSCREW THE 2 BOTTOM SCREWS LOCATED IN THE BACK OF THE STOVE
- B) HOOK THE STOVE TO THE MOUNTING BRACKET
- C) SECURE THE STOVE TO THE MOUNTING BRACKET BY SCREWING THE 2 BOTTOM SCREWS THROUGH THE BRACKET AND BACK INTO THE STOVE

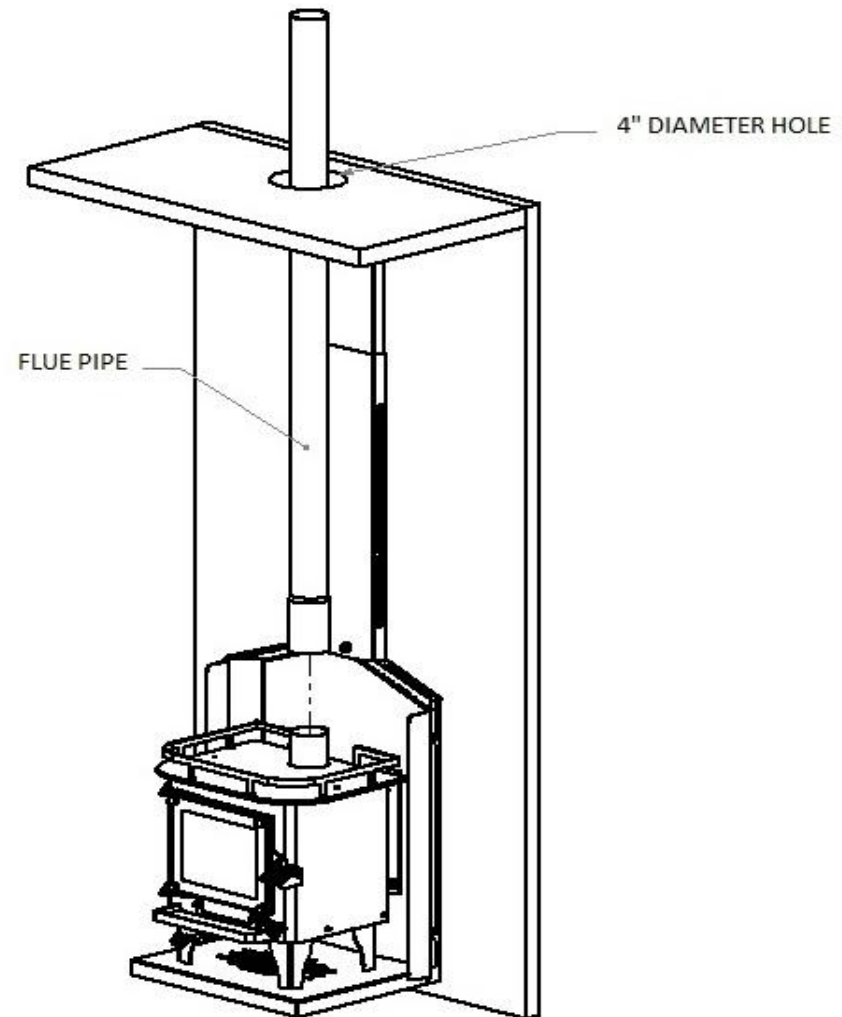


#7

- A) SECURE THE LEGS OF THE STOVE TO THE BOTTOM SHELF USING (4) 10-32 1/2" LONG SCREWS
- B) ATTATCH THE SIDE PANNELS TO THE REAR HEAT SHIELD USING (4) 8-32 1/2 " SCREWS



- #8 A) USING A PLUMBOB ALIGNED WITH THE CENTER OF THE CHIMEMEY COLAR ON THE STOVE, LOCATE THE CENTER OF THE DECK HOLE AND MARK WITH A PENSIL
- B) DRILL THROUGH THE CEILING OR DECK USING A 3 1/2" HOLE SAW
- C) ONCE THE HOLE HAS BEEN MADE AND THE FLUE PIPE HAS BEEN INSTALLED MARK AND CUT THE FLUE PIPE TO EXTEND 12" ABOVE YOUR DECK OR ROOF IF USING THE DICKINSON DECK FITTING AND D - P CAP



DRILL
4 INCH HOLE SAW
FLUE PIPE